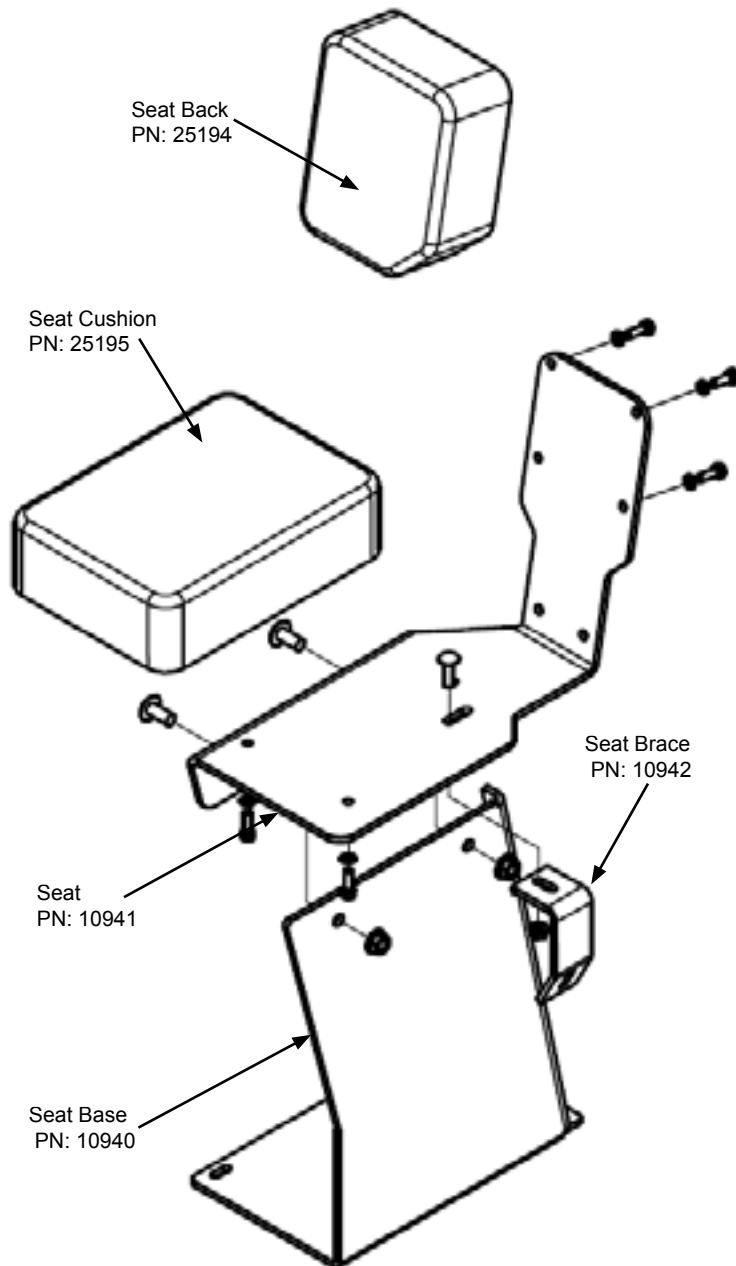




# INSTRUCTION GUIDE 8212

## CIH Magnum Instructional Seat (PN: 8212)

*FITS CIH 71-72-89 Magnum Series Tractors*



1. Remove the two nuts from the left side of the seat that hold the pedestal to the floor.
2. Loosen the two nuts on the right side of the seat that hold the pedestal to the floor.
3. Lift the left side of the seat and suspension up and place the instructional seat base PN: 10940 onto the two floor studs. Place the seat and suspension back onto the two floor studs, on top of the instructional seat base. Fasten the seat and instructional seat down using the original nuts. Do not tighten. NOTE: Depending on which operators seat is in the tractor the Seat Base can be placed on top of the seat pedestal.
4. Fasten the seat to the seat base using two 1/2" x 1 1/4" carriage bolts and two 1/2" flange nuts.
5. Attach the seat brace to the seat with the 3/8" x 1" carriage bolt and flange nut. Do not tighten.
6. The seat brace will fasten to the left fender panel. Locate the fender support bolt by pressing firmly against the cab foam. Once the bolt is found, cut a small hole to expose it. Remove the bolt and nut. Use the 5/16" x 1 1/2" bolt and flange nut provided to run through the brace and the fender.
7. Attach the cushions to the seat using 5/16" x 1" bolts and lock washers.
8. Mount the seat belt to the seat using 1/2" x 1" bolts and top lock nuts.
9. Remove and discard the original inner door handrail.
10. Install the 3336 Magnum series handrail kit. Installation instructions are included in the box the handrail came in.
11. Tighten all hardware. Mount the seat belt to the seat using 3/8" x 1" bolts and top lock nuts.
12. Tighten all hardware.