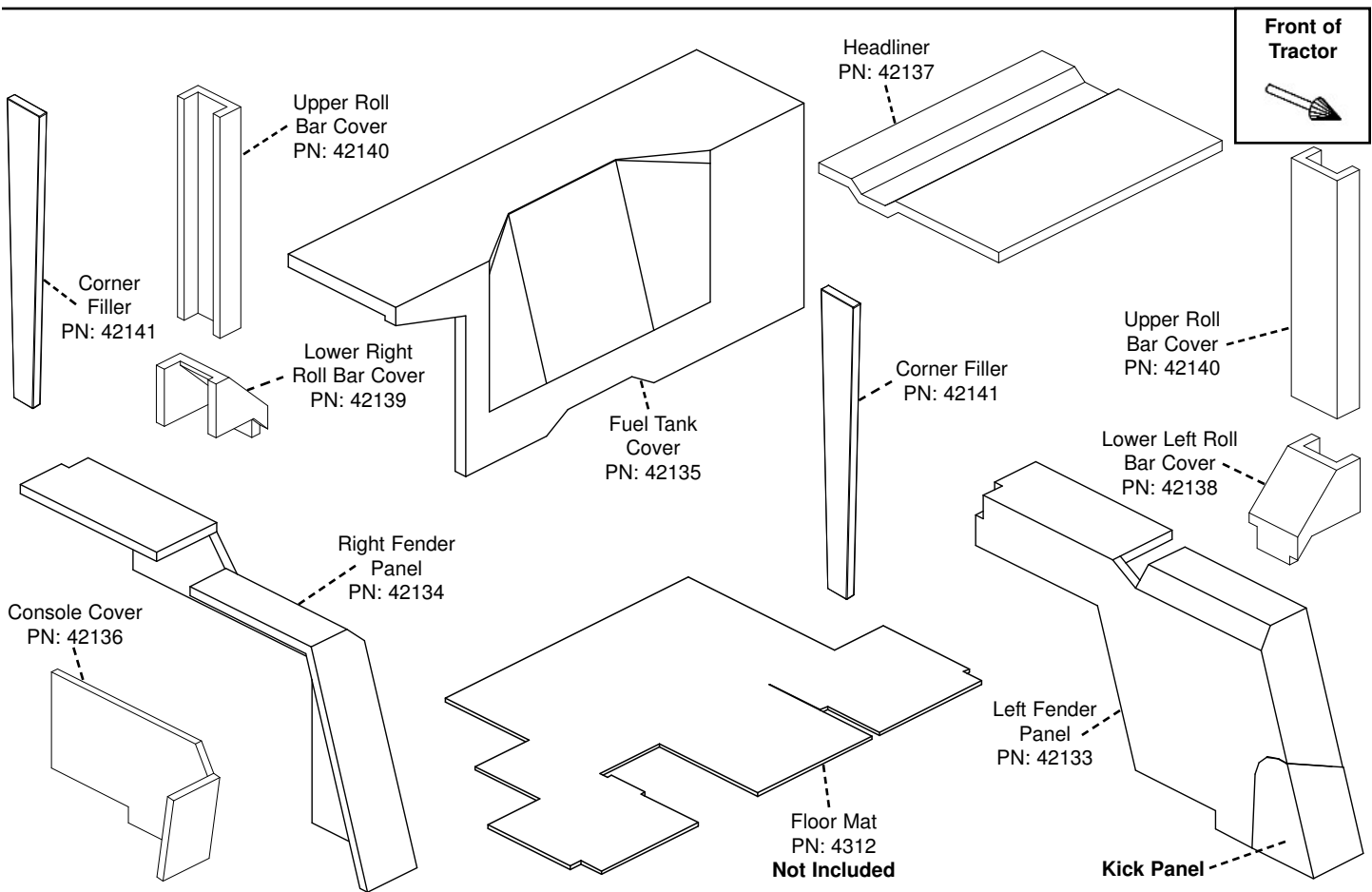


Case 870 Cab Foam Kit - PN: 4031

11 Pcs. - Black [Basketweave]

Material PN: 4009

Fits Models: 770, 870, 970, 1070, 1170 and 1175



1. To make installation of your new cab foam kit easier, remove seat to allow more room to work. Also remove floor mat, ashtray, radio, AC and heater controls and vents in models where necessary.
2. **When removing the old foam, take note which pieces overlap each other as this will be important when installing your new cab foam kit.**
3. Remove existing foam and old glue residue as much as possible using a putty knife, wire brush, etc. If there is oil present on the walls of the cab, this must also be removed with a solvent. (Make sure this is done in a well ventilated area.)
4. Before gluing in the new pieces, dry fit them into their position first to see if any trimming is necessary. (Use a sharp utility knife to do any trimming.) When ready to install permanently, spray both the foam and the cab wall with adhesive. To prevent wrinkling, start gluing down one edge of the piece of foam and work your way to the opposite edge.



Phone - 800.328.1752
Fax - 320.329.3709
Email - sales@tractorseats.com
Web Site - www.tractorseats.com
P.O. Box 409 - 308 NW 2nd Street
Renville, MN 56284