

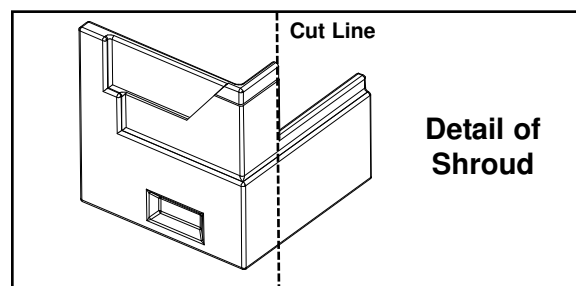
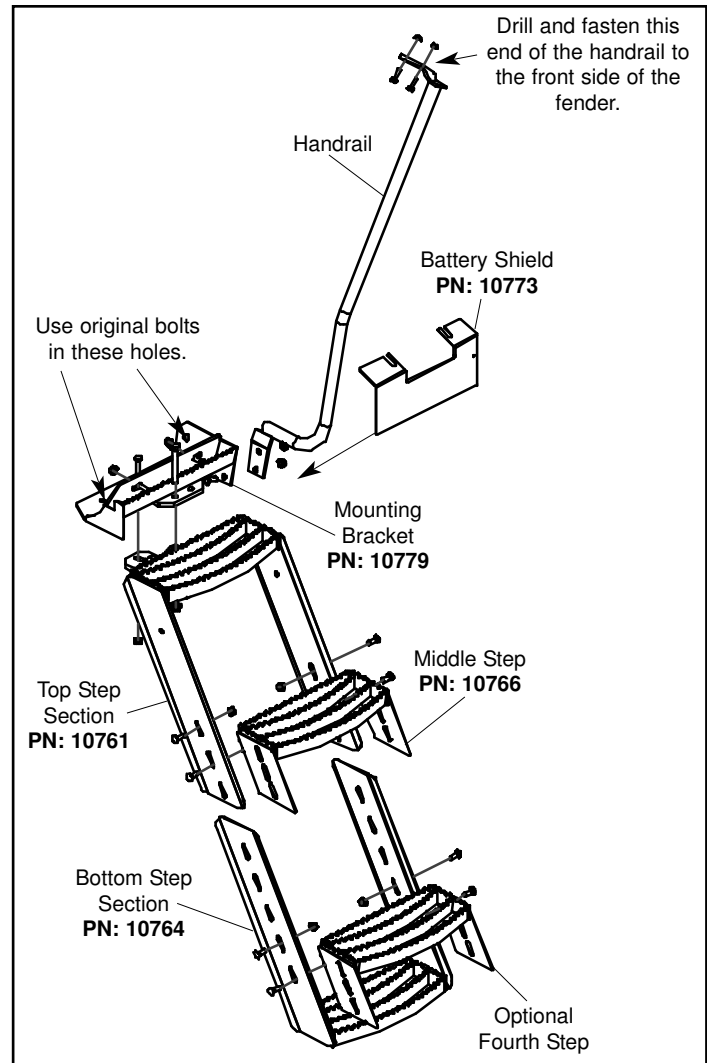
1. Remove the original step (and the light shroud on the 88 series tractor.) **NOTE: A section of the shroud must be cut off as shown below. (Flatten tin strip under door.)**
2. Fasten the **mounting bracket** to the side of the tractor cab with two 3/8" x 1 1/2" carriage bolts and flange nuts. Use the original bolts in the bottom and rear holes.

3. Place a 3/8" x 1 1/2" carriage bolt in either of the two slotted holes in the bottom of the **mounting bracket**.

NOTE: Your choice will determine the location of the step in relation to the wheel.

Use this bolt and a 1/2" x 3 1/2" bolt to fasten the **top step section** to the **mounting bracket**. On the 88 series, place the metal **battery shield** provided with the step between the **mounting bracket** and the battery support straps.

4. Slide the **bottom step section** between the side plates of the **top step section**.
5. Position the **middle step** so it is equally spaced between the **top** and **bottom step sections**. Equal spacing can also be achieved if the **optional fourth step** is being used. Secure with four 3/8" x 1" carriage bolts and flange nuts. If using the **optional fourth step**, fasten it using four 3/8" x 3/4" carriage bolts and flange nuts.
6. Fasten the lower end of the **handrail** to the rear side of the **mounting bracket** with two 3/8" x 1" bolts and flange nuts.
7. Clamp the upper end of the **handrail** to the front side of the fender and drill two 5/16" holes. Fasten with two 5/16" x 1" bolts and flange nuts.



1. Remove the original step (and the light shroud on the 88 series tractor.)

**NOTE: A section of the shroud must be cut off as shown below.
(Flatten tin strip under door.)**

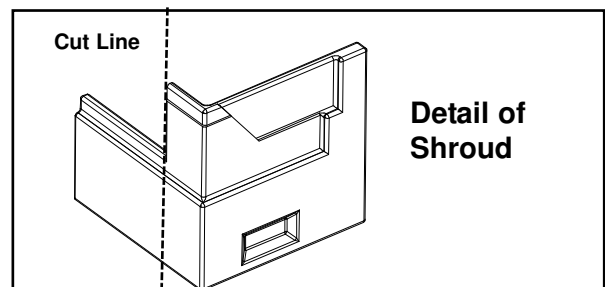
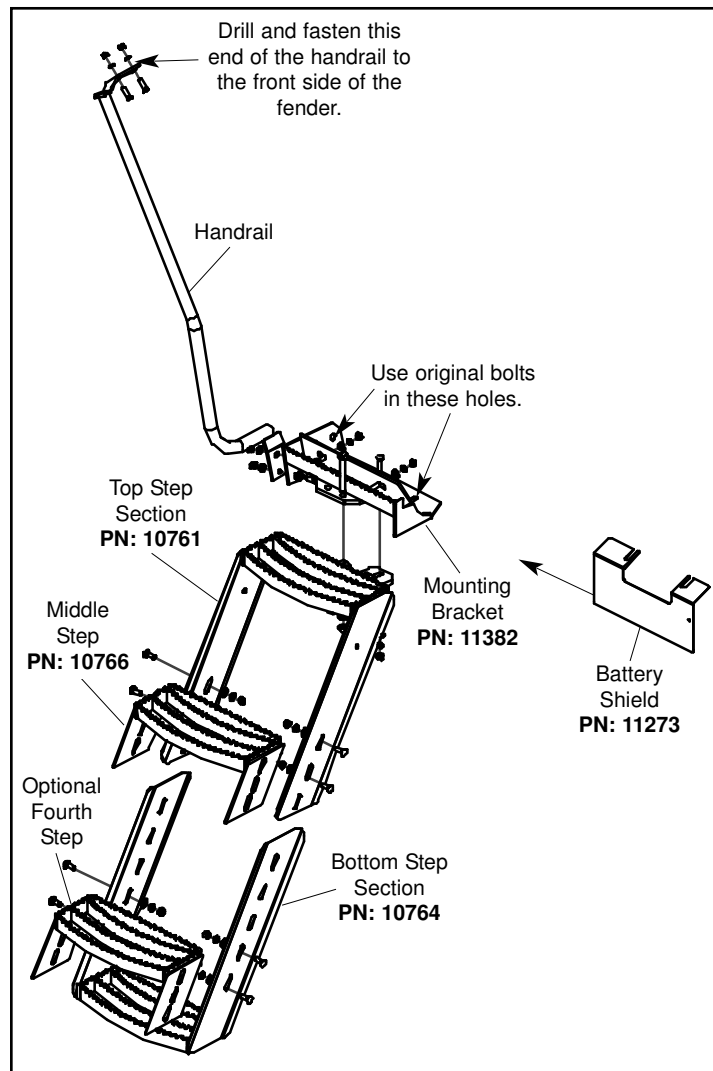
2. Fasten the **mounting bracket** to the side of the tractor cab with two 3/8" x 1 1/2" carriage bolts, flat washers, lock washers and nuts. Use the original bolts in the bottom and rear holes.
3. Place a 3/8" x 1 1/2" carriage bolt in either of the two slotted holes in the bottom of the **mounting bracket**.

NOTE: Your choice will determine the location of the step in relation to the wheel.

Use this bolt and a 1/2" x 3 1/2" bolt to fasten the **top step section** to the **mounting bracket**. On the 88 series, place the metal **battery shield** provided with the step between the **mounting bracket** and the battery support straps.

4. Slide the **bottom step section** between the side plates of the **top step section**.
5. Position the **middle step** so it is equally spaced between the **top** and **bottom step sections**. Equal spacing can also be achieved if the **optional fourth step** is being used. Secure with four 3/8" x 1" carriage bolts, flat washers, lock washers and nuts. If using the **optional fourth step**, fasten it with four 3/8" x 3/4" bolts, flat washers, lock washers and nuts.

6. Fasten the lower end of the **handrail** to the rear side of the **mounting bracket** with two 3/8" x 1" bolts, flat washers, lock washers and nuts.
7. Clamp the upper end of the **handrail** to the front side of the fender and drill two 5/16" holes. Fasten using two 5/16" x 1" bolts, lock washers and nuts.



1. Mount the **door bracket** to the door as shown. (Left side bracket shown). Place the bracket 2 1/4" from the front edge of the door to the center of the brackets first hole, and 1 1/8" down from the top door frame to the center of the first hole. Mark and drill three 9/32" holes all the way through the door frame.
2. Secure the bracket with the back plate and three 1/4" x 1 1/2" carriage bolts, lock washers, and nuts. Install the ball head on the top of the bracket lip.
3. Remove the pin from the door, check arm, and slide the arm inside the door.

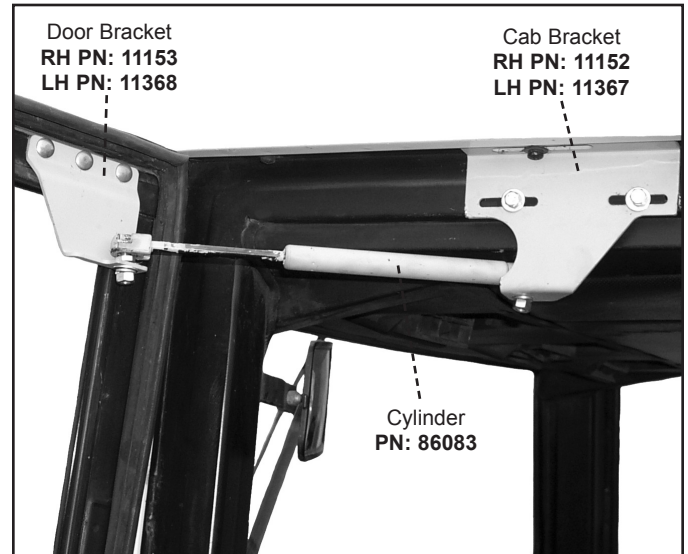


Figure 1

4. Close the door and from the inside measure back 8 1/2" from the front ball head: this is now the approximate location of the rear ball head. By placing the **cab bracket** in that location, you will notice a screw in the upper lip of the door frame. Remove the screw and fasten the **cab bracket** to the door frame with the same screw.
5. Mark the center of the slotted holes, remove the **cab bracket** and drill two holes with a 21/64" bit.

6. Assemble the **bolt, washer, handle** and **rivet nut** as shown in **Figure 2**:
(Add a drop of oil to the **bolt** and **rivet nut** threads.)

- A. Tap the **rivet nut** into the 21/64" hole.
- B. Hold the **handle** firmly against the **rivet nut** and draw up the bolt until it clinches.
DO NOT OVERTIGHTEN!!
- C. Remove the **bolt, washer** and **handle**. Discard **handle** at this time.
- D. Bolt the **cab bracket** in place with two 1/4" x 1" bolts and washers; draw up until tight.

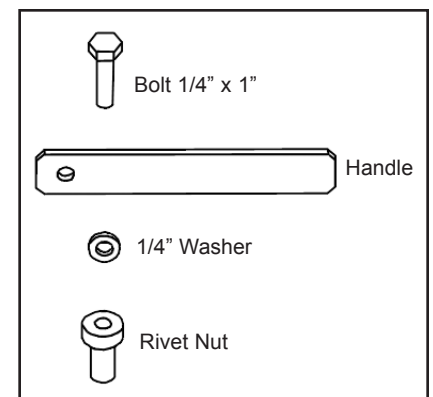


Figure 2

7. Place the ball head on the top of the bracket lip and snap the **cylinder** in place.