

Installation Guide

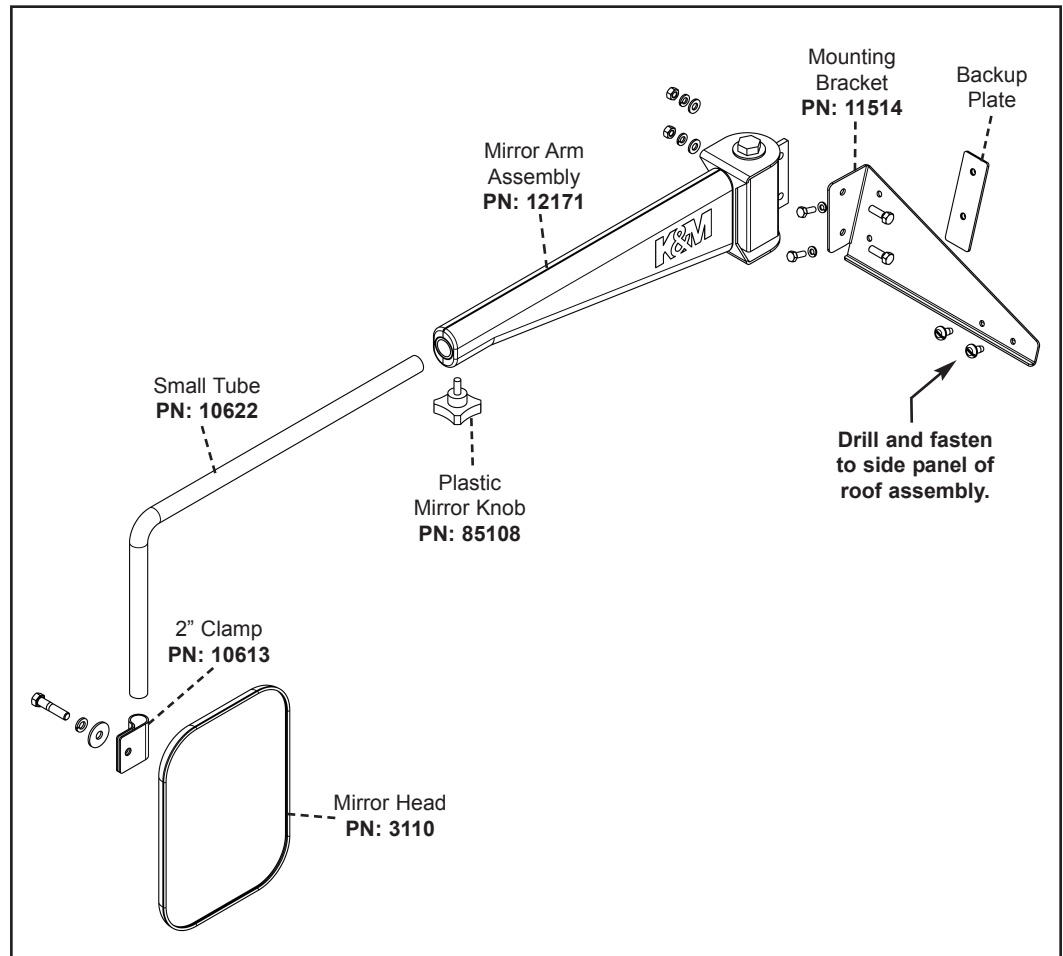
CIH Maxxum Mirror - Left Side (PN: 3133)

Fits:
CIH Maxxum 5100-5200 Series

- Place the mirror **mounting bracket** against the side panel of the roof assembly with the lip of the **mounting bracket** in the rain gutter. Align the front edge of the lip to the cab corner post.
- Drill two 1/4" holes and fasten the **mounting bracket** to the roof side panel with two 1/4" x 3/4" bolts, lock washers and the **backup plate**.

NOTE: The **backup plate** is installed on the inside of the roof side panel.

- Drill two 1/8" holes at the rear of the **mounting bracket** and fasten using two #8 x 1/2" self-tapping screws.



- Fasten the **mirror arm assembly** to the **mounting bracket** with two 5/16" x 1" full thread bolts, flat washers, lock washers and nuts.
- Insert the **small tube** into the **mirror arm assembly** and secure with the **plastic mirror knob**.

Note!

Do not overtighten the plastic mirror knob.

- Fasten the **mirror head** to the **small pipe** with the **2" clamp** and included hardware.

Installation Guide

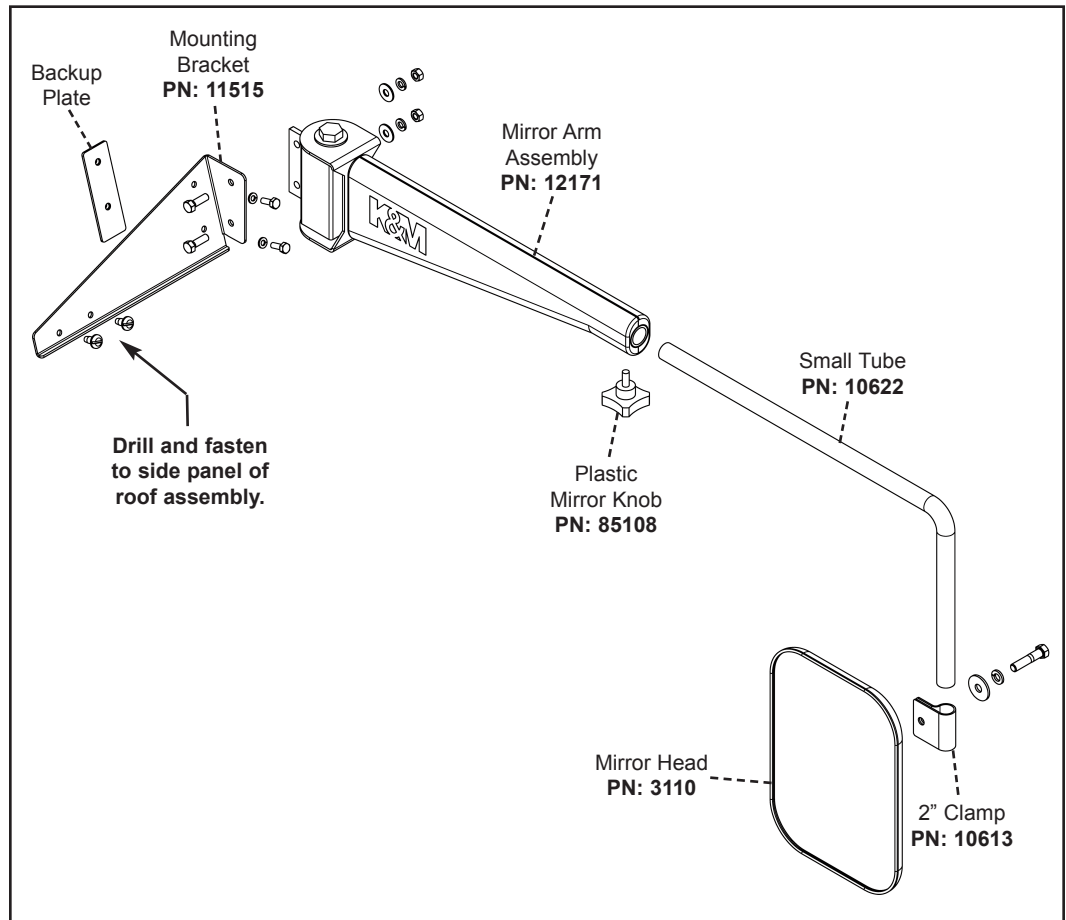
CIH Maxxum Mirror - Right Side (PN: 3134)

Fits:
CIH Maxxum 5100-5200 Series

1. Place the mirror **mounting bracket** against the side panel of the roof assembly with the lip of the **mounting bracket** in the rain gutter. Align the front edge of the lip to the cab corner post.
2. Drill two 1/4" holes and fasten the **mounting bracket** using two 1/4" x 3/4" bolts, lock washers and the **backup plate**.

NOTE: The **backup plate** is installed on the inside of the roof side panel.

3. Drill two 1/4" holes at the rear of the **mounting bracket** and fasten using two #8 x 1/2" self-tapping screws.



4. Fasten the **mirror arm assembly** to the **mounting bracket** with two 5/16" x 1" full thread bolts, flat washers, lock washers and nuts.
5. Insert the **small tube** into the **mirror arm assembly** and secure with the **plastic mirror knob**.

Note!

Do not overtighten the plastic mirror knob.

6. Fasten the **mirror head** to the **small pipe** with the **2" clamp** and included hardware.