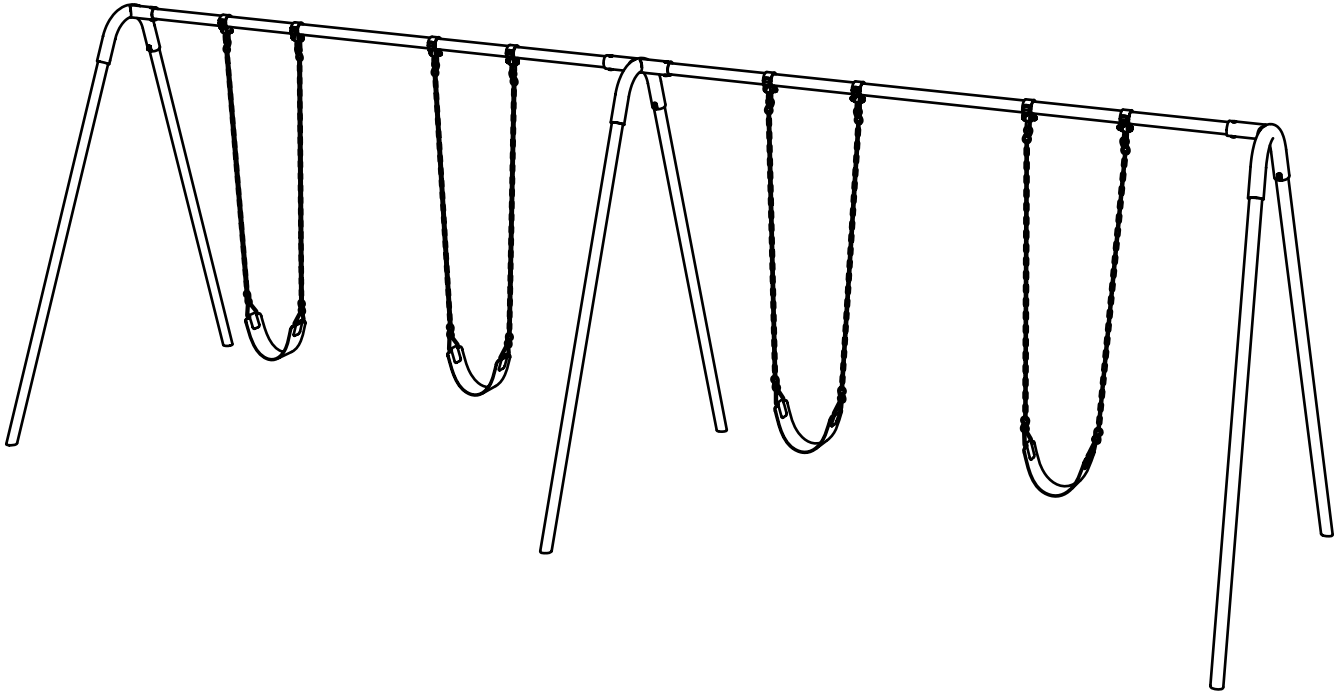


UPLAY TODAY™



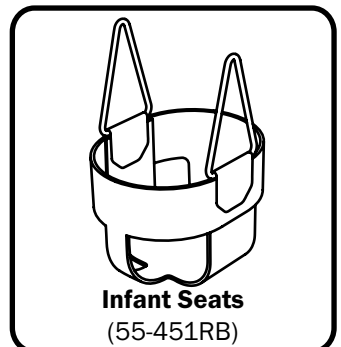
MODEL # PBP-8-2S (Set of 4 Strap Seats)

MODEL # PBP-8-2C (Set of 4 Infant Seats)

MODEL # PBP-8-2SC (Set of 2 Strap Seats and 2 Infant Seats)

Double Bay Swings

ASSEMBLY INSTRUCTIONS



Infant Seats
(55-451RB)

SPECIFICATIONS

SPECIFICATIONS:

Yokes: Welded from 2-7/8" O.D. galvanized tubing with a baked on powder coated paint finish.

Swing beams: 2-3/8" O.D. galvanized tubing.

Legs: 2-3/8" O.D. galvanized tubing.

Hardware: Stainless steel or zinc plated.

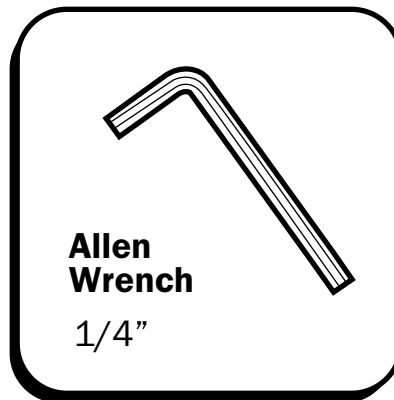
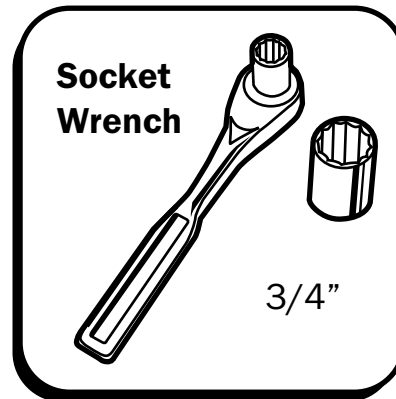
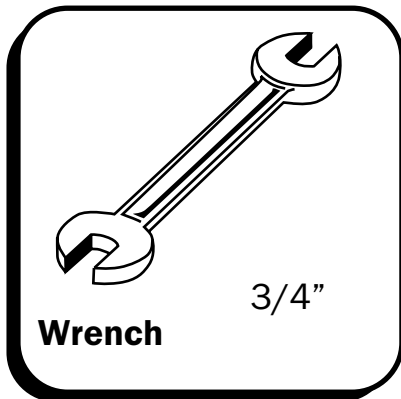
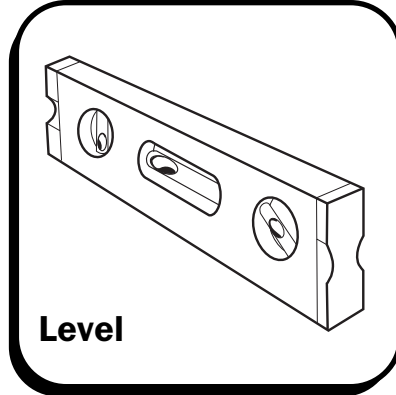
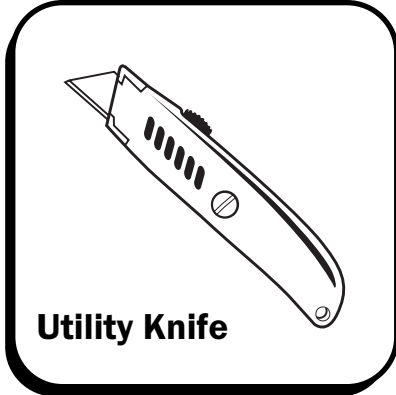
Weight: 425 lbs.

MAINTENANCE PROCEDURE

Periodically check for tightness and tighten as necessary. Always check all metal parts for corrosion, paint peeling and touch up if necessary. Check all Tot Seats for cracks, breakage or wear and immediately put equipment out of service until any faulty parts found are repaired or replaced.

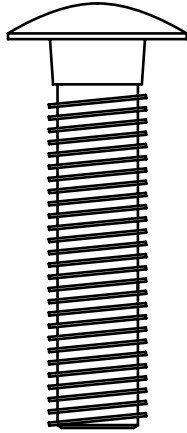
Check "S" hooks at both ends and all connections points for wear. Check all moving parts, such as bushings and hangers for wear. Check "S" Hooks specified by ASTM F 1487 Section 6.3 for entanglement. Check periodically resilient surfacing for appropriate depth and remove extraneous materials that could cause injury, infection or disease. Maintain detailed installation, inspection, maintenance and repair records for public-use playground equipment.

TOOLS REQUIRED

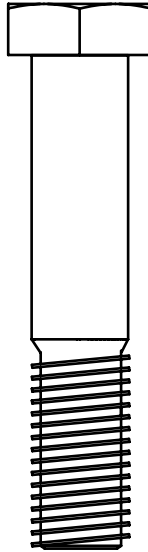


HARDWARE REFERENCE (Actual Size)

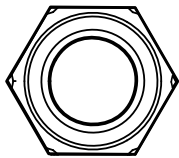
7/16" x 2" Carriage Bolt
(33-06-0094)



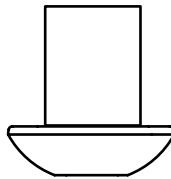
3/8" x 2-1/2" Hex Bolt
(33-05-0031)



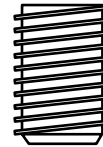
7/16" Lock Nut
(33-01-0017)



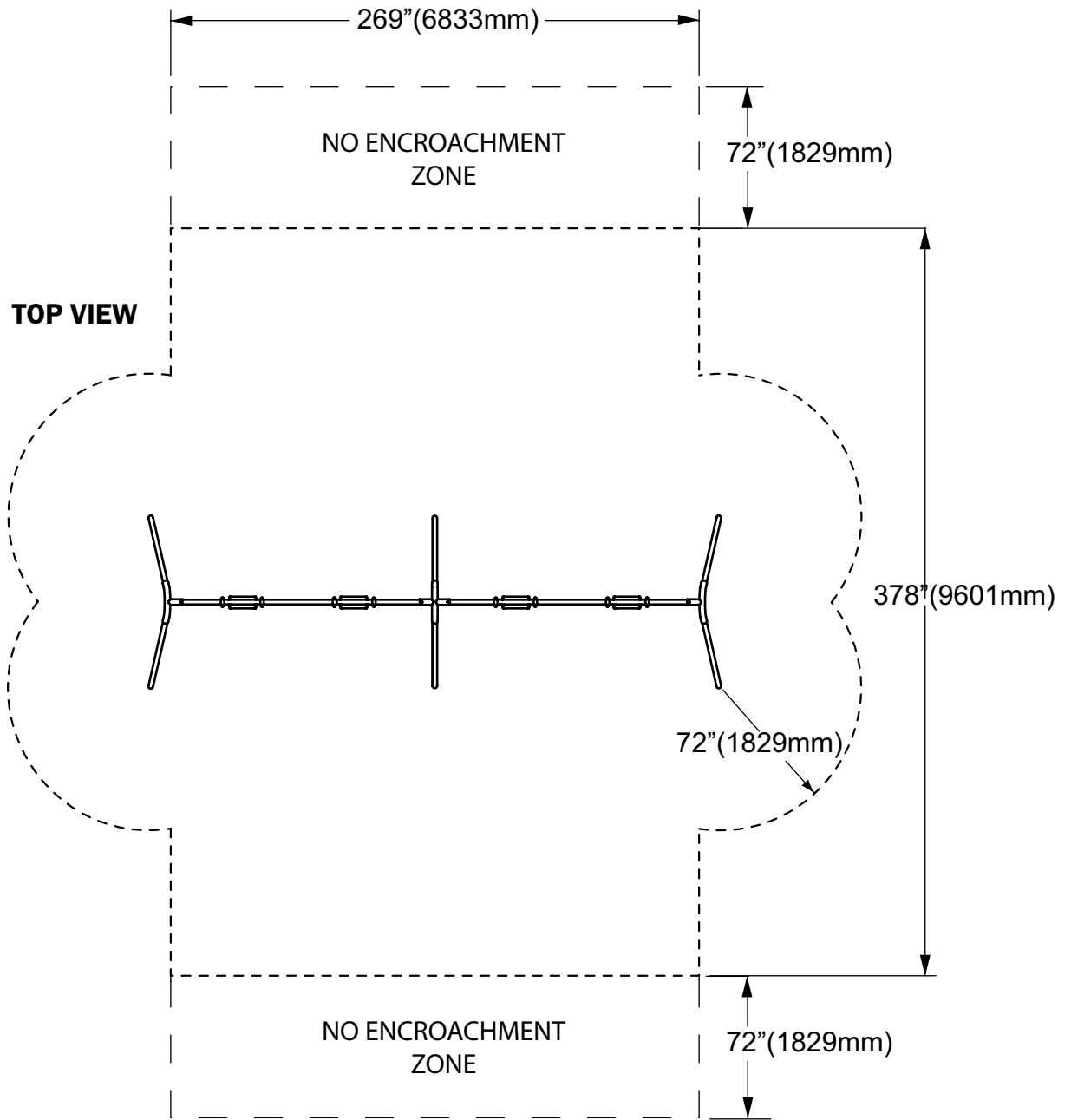
3/8" Barrel Nut
(33-01-0013)



1/2" x 3/4" Long Allen Head Set Screw
(33-05-0009)



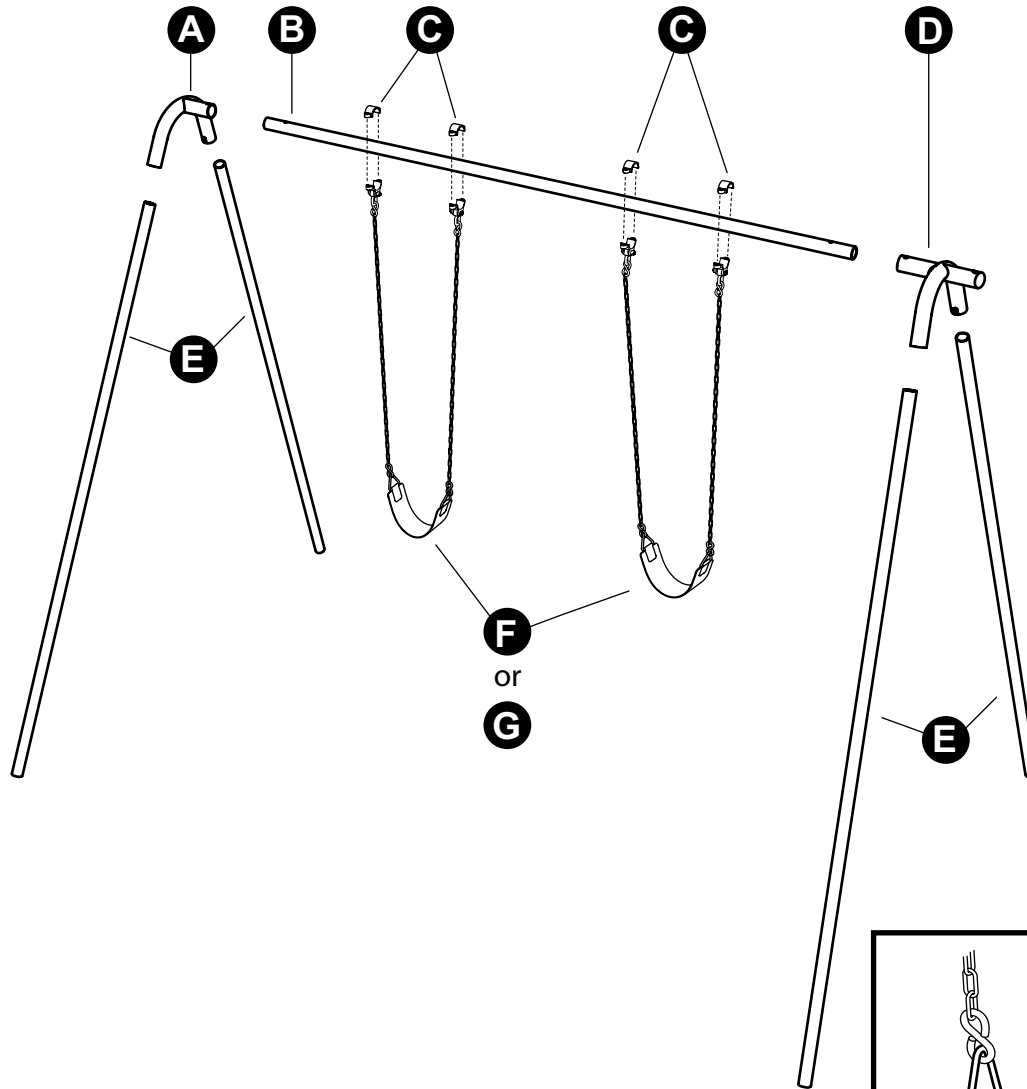
USE ZONE



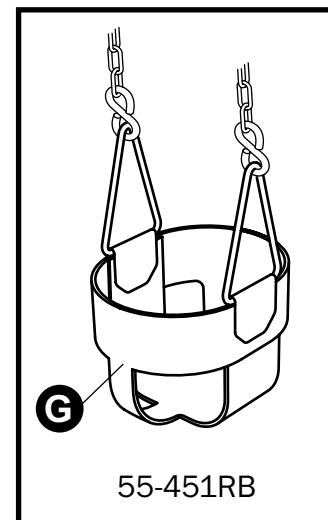
MINIMUM USE ZONE REQUIRED

IMPORTANT: Never install play equipment over hard, unresilient surfaces such as asphalt, concrete or compacted earth. It is the owner's responsibility to ensure the "minimum area required" contains an appropriate amount of resilient material to cushion accidental falls.

COMPONENTS (Bay 1)

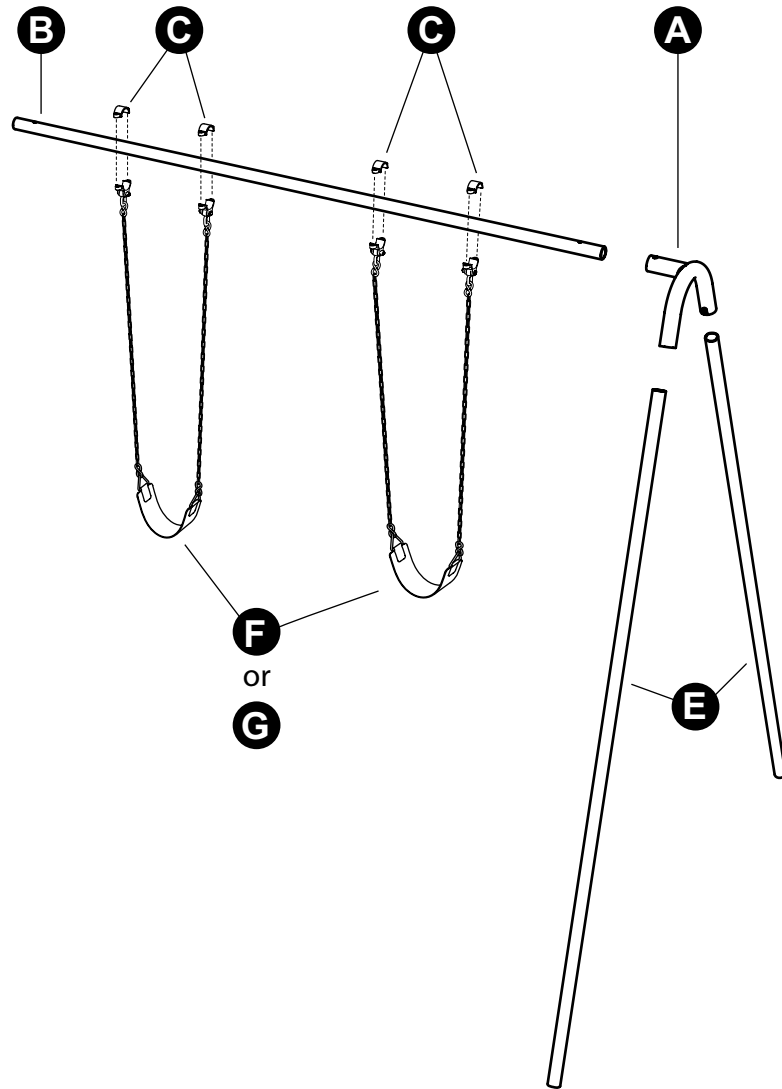


Item	Description	Quantity
A	End Yoke Connector	2
B	8' Top Rail	2
C	Swing Hangers	8
D	Center Yoke Connector	1
E	Swing Legs	6
F	Strap Seat w/Chain Package	4*
G	Infant Seat w/Chain Package (optional)	4*

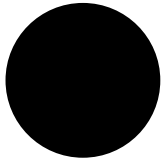


* Swing package PBP-8-2SC includes (2) Strap Seats and (2) Infant Seats

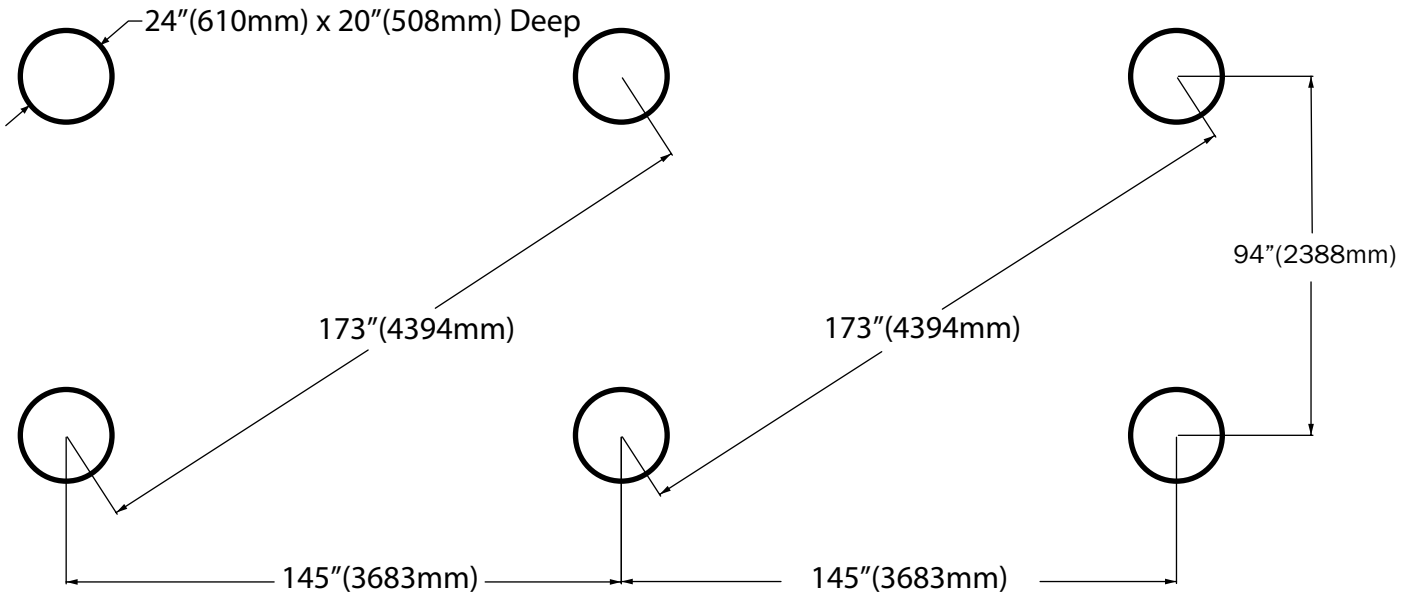
COMPONENTS (Bay 2)



STEP 1 - DIG FOOTER HOLES



Placement for
24" Diameter x 20" Deep Holes
for Single Bay Swings (PBP-8-1S[C])



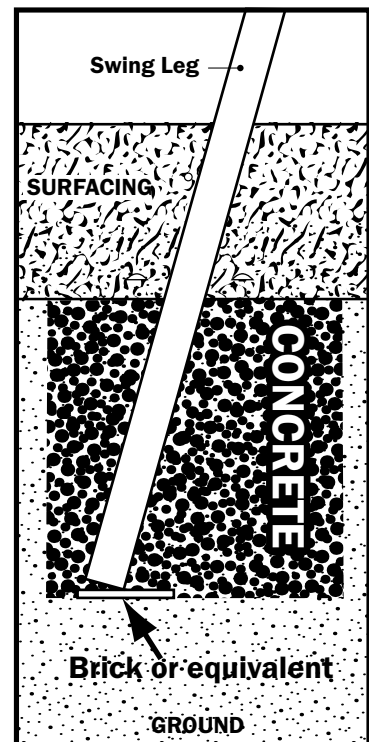
Concrete Required :

Approximately 1.5 Cubic Yards (1 Cubic Meters)



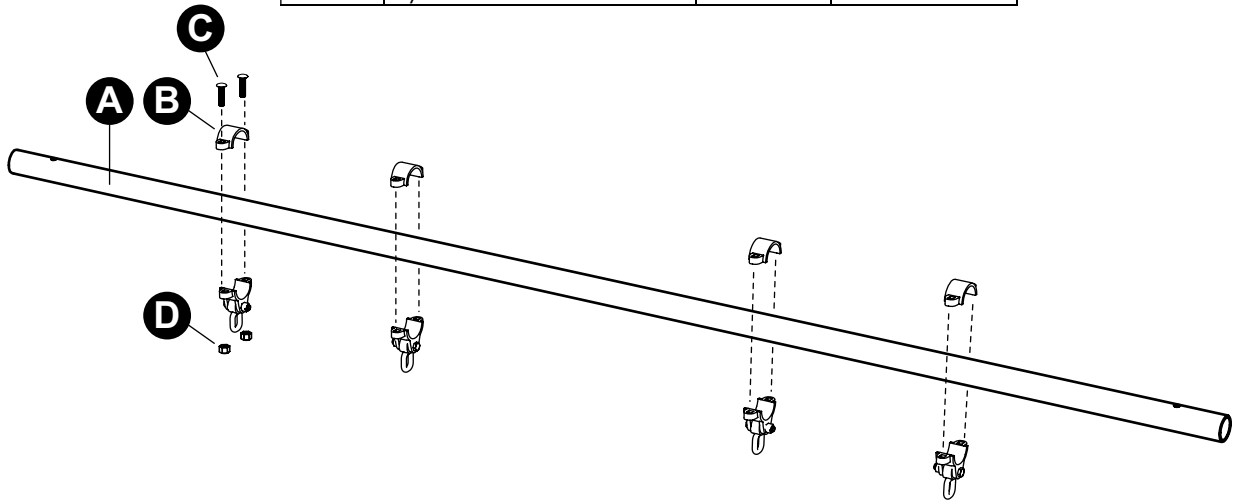
Place brick or equivalent in the bottom of all footings to prevent Legs from sinking into the ground.

IMPORTANT: Never install play equipment over hard, unresilient surfaces such as asphalt, concrete or compacted earth. It is the owner's responsibility to ensure the "minimum area required" contains an appropriate amount of resilient material to cushion accidental falls.



STEP 2 - INSTALL SWING HANGERS ONTO TOP RAILS

Parts List			
Letter	Description	Quantity	Part Number
A	Top Rails	2	02-05-0005
B	Swing Hanger	8	55-SH-09
	Hardware Complete	1	33-13-0020
C	7/16" x 2" Carriage Bolt	16	33-06-0094
D	7/16" Lock Nut	16	33-03-0017



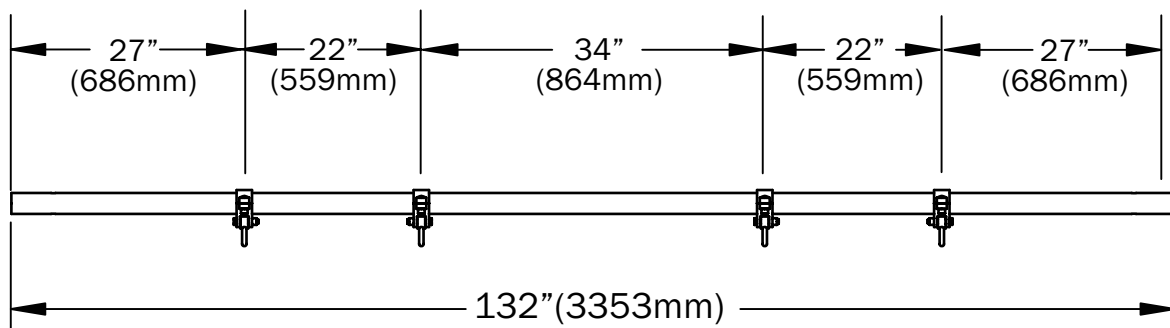
1. Using diagram below, measure over 27" from end of Toprail(A).
2. Enclose Swing Hanger(B) around Top Rail(A) using (2) Carriage Bolts(C) and secure with (2) Lock Nuts(D) and tighten.
3. Using diagram below as a guide, install remaining swing hangers.
4. Repeat Steps 1-3 for other Top Rail (A).

NOTE: Swing Hanger(B) placement is measured from the center of each Swing Hanger(B).



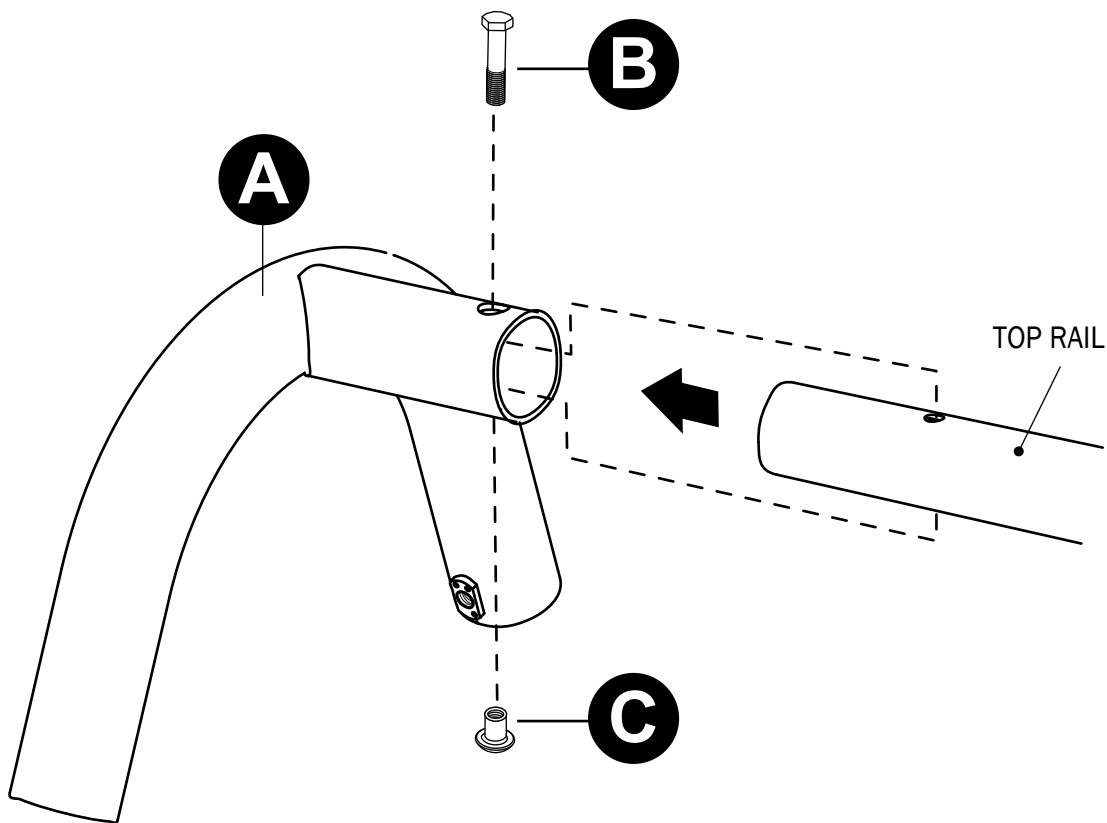
Infant swings and strap swings MUST be installed together in pairs in each swing bay.

FRONT VIEW



STEP 3 - CONNECT YOKE CONNECTOR TO TOP RAIL

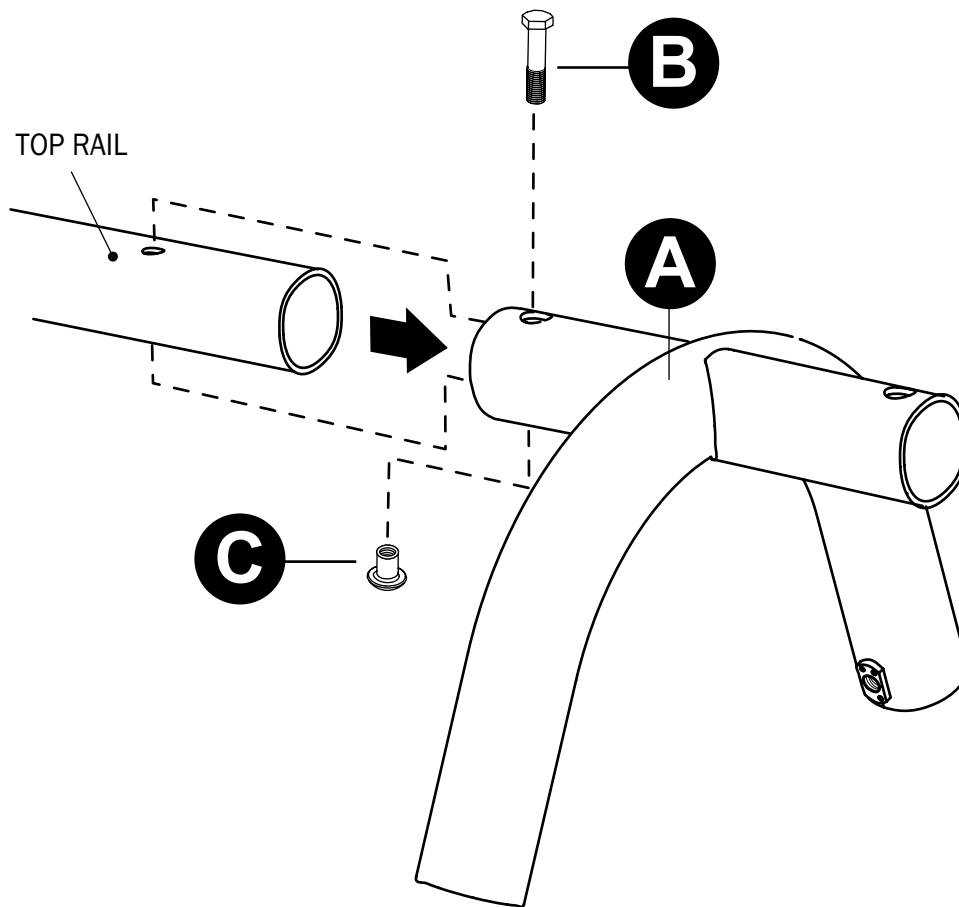
Parts List			
Letter	Description	Quantity	Part Number
A	End Yoke Connector	2	P-02-05-0001
	Hardware Complete	1	33-13-0020
B	3/8" x 2-1/2" Hex Bolt	2	33-05-0031
C	3/8" Barrel Nut	2	33-01-0013



1. Insert Top Rail into tube of End Yoke Connector(A).
2. Align holes in Top Rail and End Yoke Connector(A) and insert Hex Bolt(B).
3. Secure with Barrel Nut(C).

STEP 4 - CONNECT TOP RAIL TO CENTER YOKE CONNECTOR

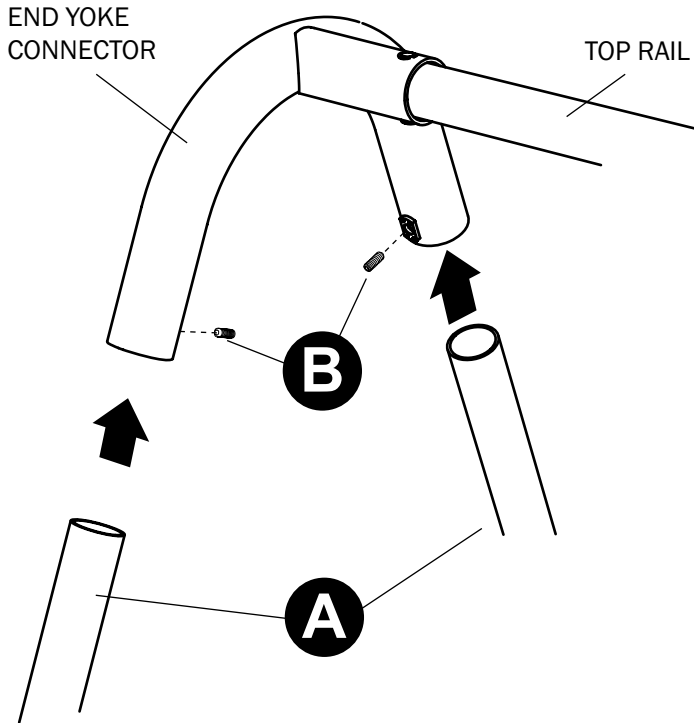
Parts List			
Letter	Description	Quantity	Part Number
A	Center Yoke Connector	1	P-02-05-0002
	Hardware Complete	1	33-13-0020
B	3/8" x 2-1/2" Hex Bolt	1	33-05-0031
C	3/8" Barrel Nut	1	33-01-0013



1. Insert Top Rail into tube of Center Yoke Connector(A).
2. Align holes in Top Rail and Center Yoke Connector(A) and insert Hex Bolt(B).
3. Secure with Barrel Nut(C).

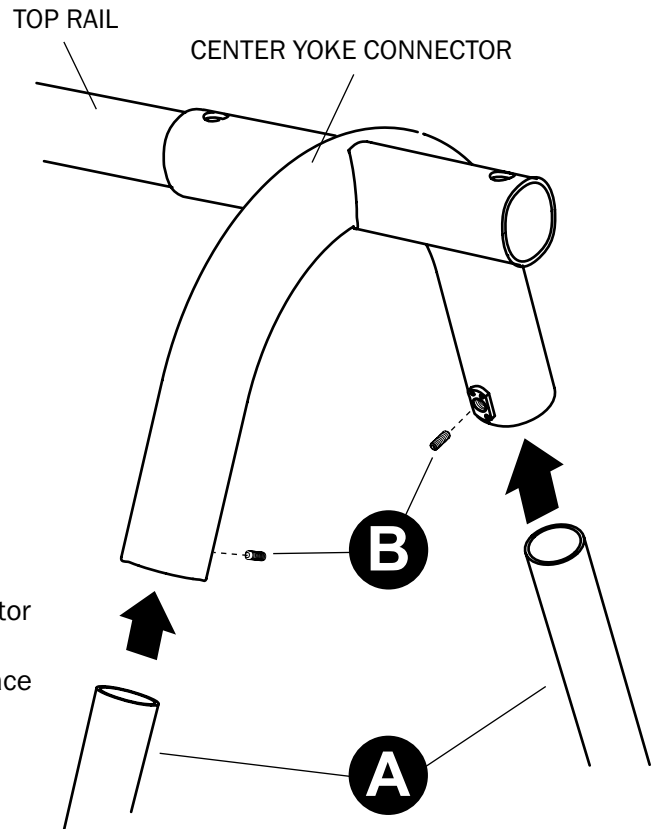
STEP 5 - ATTACH LEGS TO YOKE CONNECTORS

Parts List			
Letter	Description	Quantity	Part Number
A	Legs	4	02-05-0004
	Hardware Complete	1	33-13-0020
B	1/2" x 3/4" Set Screw	4	33-05-0009



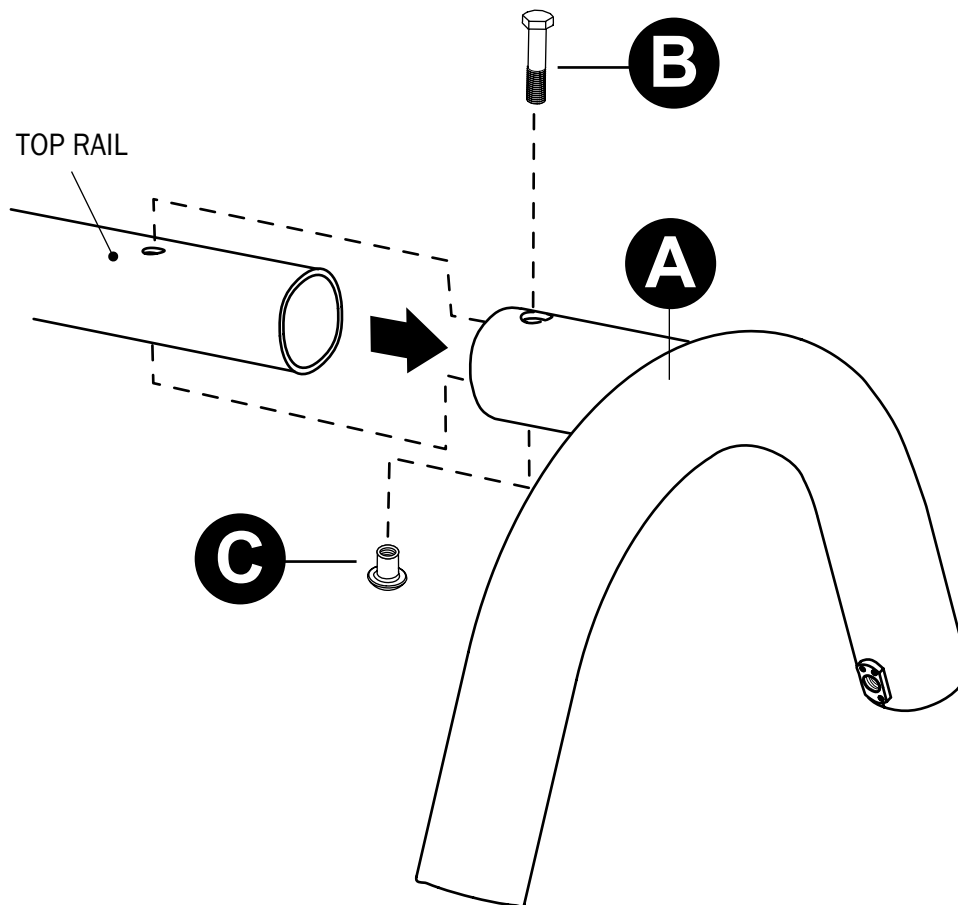
1. Insert (2) Legs(A) into tube of End Yoke Connector.
2. Secure with Set Screw(B).

3. Insert (2) Legs into tube of Center Yoke Connector
4. Stand Swing upright and place into footer holes.



STEP 6 - ATTACH TOP RAIL TO END YOKE CONNECTOR

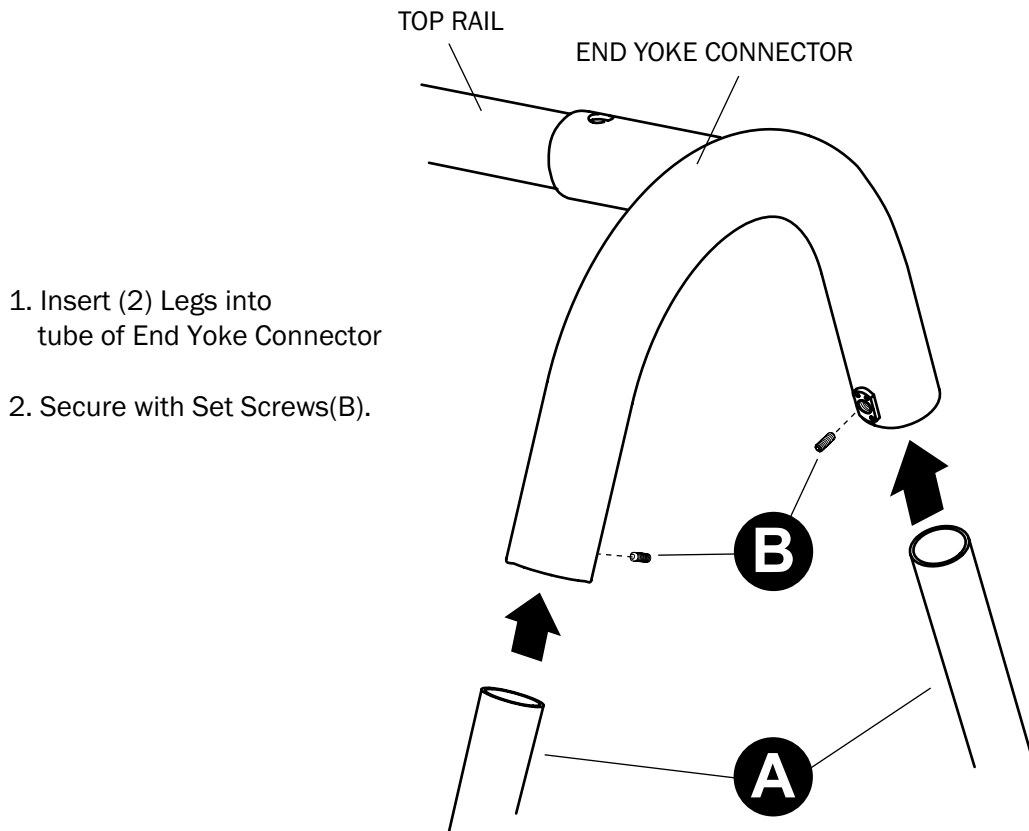
Parts List			
Letter	Description	Quantity	Part Number
A	End Yoke Connector	1	P-02-05-0001
	Hardware Complete	1	33-13-0020
B	3/8" x 2-1/2" Hex Bolt	1	33-05-0031
C	3/8" Barrel Nut	1	33-01-0013



1. Insert Top Rail into tube of End Yoke Connector(A).
2. Align holes in Top Rail and End Yoke Connector(A) and insert Hex Bolt(B).
3. Secure with Barrel Nut(C).

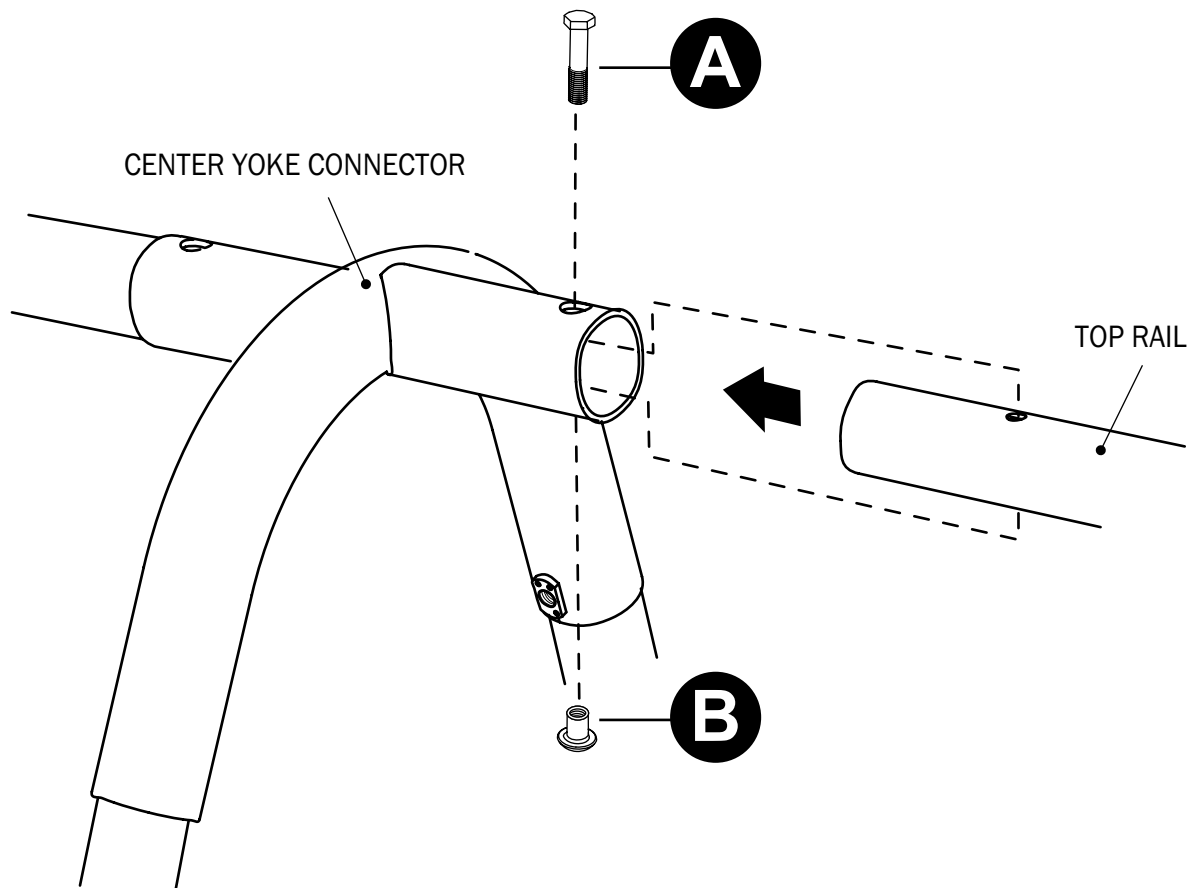
STEP 7 - ATTACH LEGS TO END YOKE CONNECTOR

Parts List			
Letter	Description	Quantity	Part Number
A	Legs	4	02-05-0004
	Hardware Complete	1	33-13-0020
B	1/2" x 3/4" Set Screw	4	33-05-0009



STEP 8 - ATTACH TOP RAIL TO CENTER YOKE CONNECTOR

Parts List			
Letter	Description	Quantity	Part Number
	Hardware Complete	1	33-13-0020
A	3/8" x 2-1/2" Hex Bolt	2	33-05-0031
B	3/8" Barrel Nut	2	33-01-0013

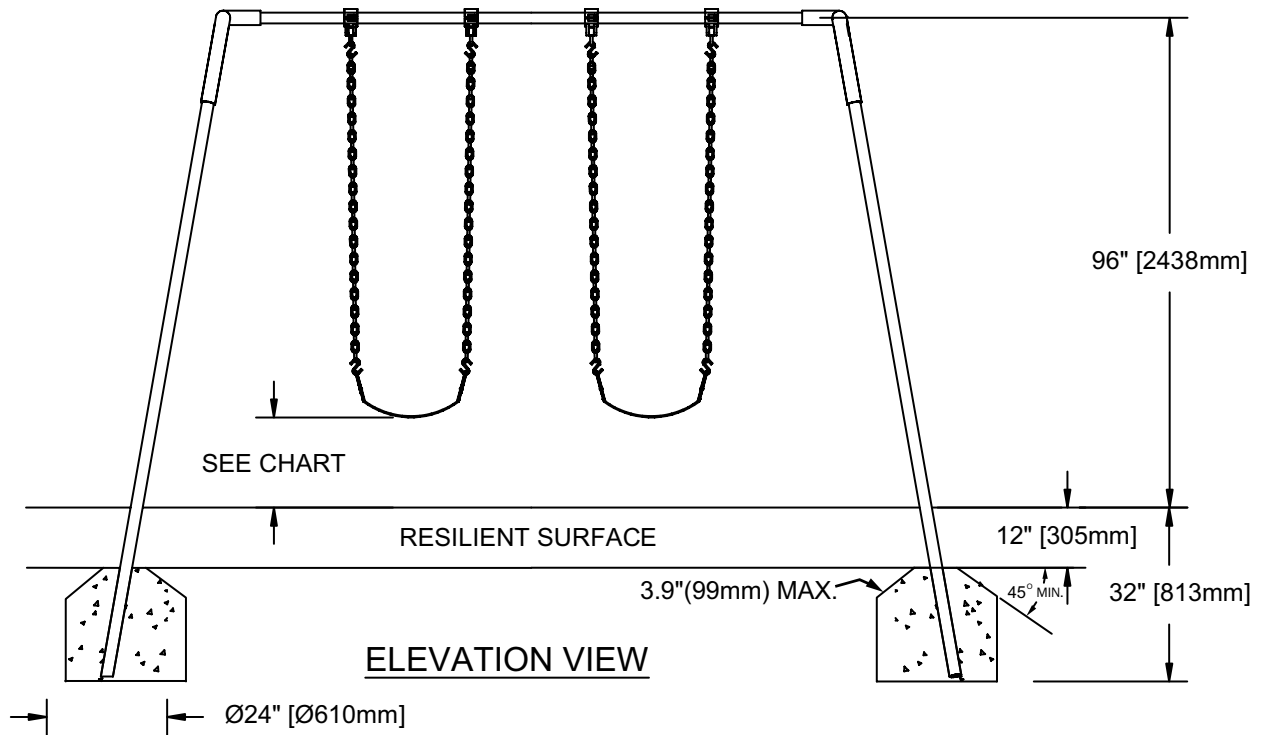


1. Insert Top Rail into tube of Center Yoke Connector.
2. Align holes in Top Rail and Center Yoke Connector and insert Hex Bolt(A).
3. Secure with Barrel Nut(B).

ASSEMBLY IS COMPLETE

Make sure swings are level and pour concrete into footers.

SWING SEAT POSITION REFERENCE



NOTE: Swing Frame must be level.

DIMENSION FROM UNDERSIDE OF SEAT TO PROTECTIVE SURFACING (Strap Seat Only)		
STANDARD	MIN.	MAX.
*CANADIAN	14" [356mm]	18" [457mm]
ASTM	12" [305mm]	N/A
DIN	15 3/4" [400mm]	N/A
CPSC	N/A	N/A

* UNDER LOADED CONDITION BASED ON WEIGHT OF 165lb. [75kg.]



Infant Swing Seats must be AT LEAST 24" from the resilient Surfacing.

