

## M59006 5' PLAYHOUSE

Parts List		
DESCRIPTION	QTY	PART NUMBER
4' UPRIGHT	2	405040
4' UPRIGHT 2	2	405215
DOORWAY TOP PLATE	2	405041
4' STUD 1	2	405042
4' STUD 2	1	405043
4' STUD 3	1	405062
5' TOP BEAM	1	405044
5' MIDDLE ROOF STRUTS	4	405045
5' ROOF STRUT	4	405046
5' BLOCKING	4	405047
SHORT BLOCKING	2	405048
5' END CAP	2	405049
DOOR PANEL	2	405050
5' SIDE PANEL	2	405051
5' ROOF PANEL	2	405052
5' PLAYHOUSE PLATFORM	1	405054
TOP PLATE 2	2	405061
PLAYHOUSE ANGLE BRACKET	22	405068
DOOR PANEL BRACE	2	405075
---HARDWARE COMPLETE---	1	405067
#10 x 1 1/2" WOOD SCREW	40	815509
#10 x 2" WOOD SCREW	112	815507
#10 x 3" WOOD SCREW	28	815511
3/8" x 2" LAG SCREW	34	800726
3/8" x 2" P.B.H.C.S. w/PATCH	6	812055
3/8" FLAT WASHER	8	817410
3/8" HEX NUT	6	804053

*Unless Otherwise Specified, All Units of Measure are Each*

*Items listed below Hardware Complete line are included with Hardware Complete Number*

**Warning: During Installation, Hardware And Small Parts Are Choking Hazards For Young Children. Store Unused Parts Appropriately Until Assembly Is Completed. Once Assembly Is Completed, Remove Any Unused Parts From The Play Environment And Dispose/Save Them In A Secure Location. Any bolt end protruding more than two full threads beyond the face of the nut causes risk of clothing entanglement.**

**Promptly cut-off flush, file smooth, and treat to prevent corrosion.**

**Note: Peen Tee-Nuts and Flatwashers to match radius of pipe after assembly is complete.**

**Note: Loctite (supplied by others) should be used on any non-patch hardware.**



---

## M59006 5' PLAYHOUSE

### SPECIFICATIONS:

**Uprights, Top Plates, Studs, Top Beams, Roof Struts, Blockings, Braces:** Shall be fabricated from 2" x 4" and 4" x 4" Nominal HDPE uv-inhibited Plastic Lumber. Density/L.F.:0.061

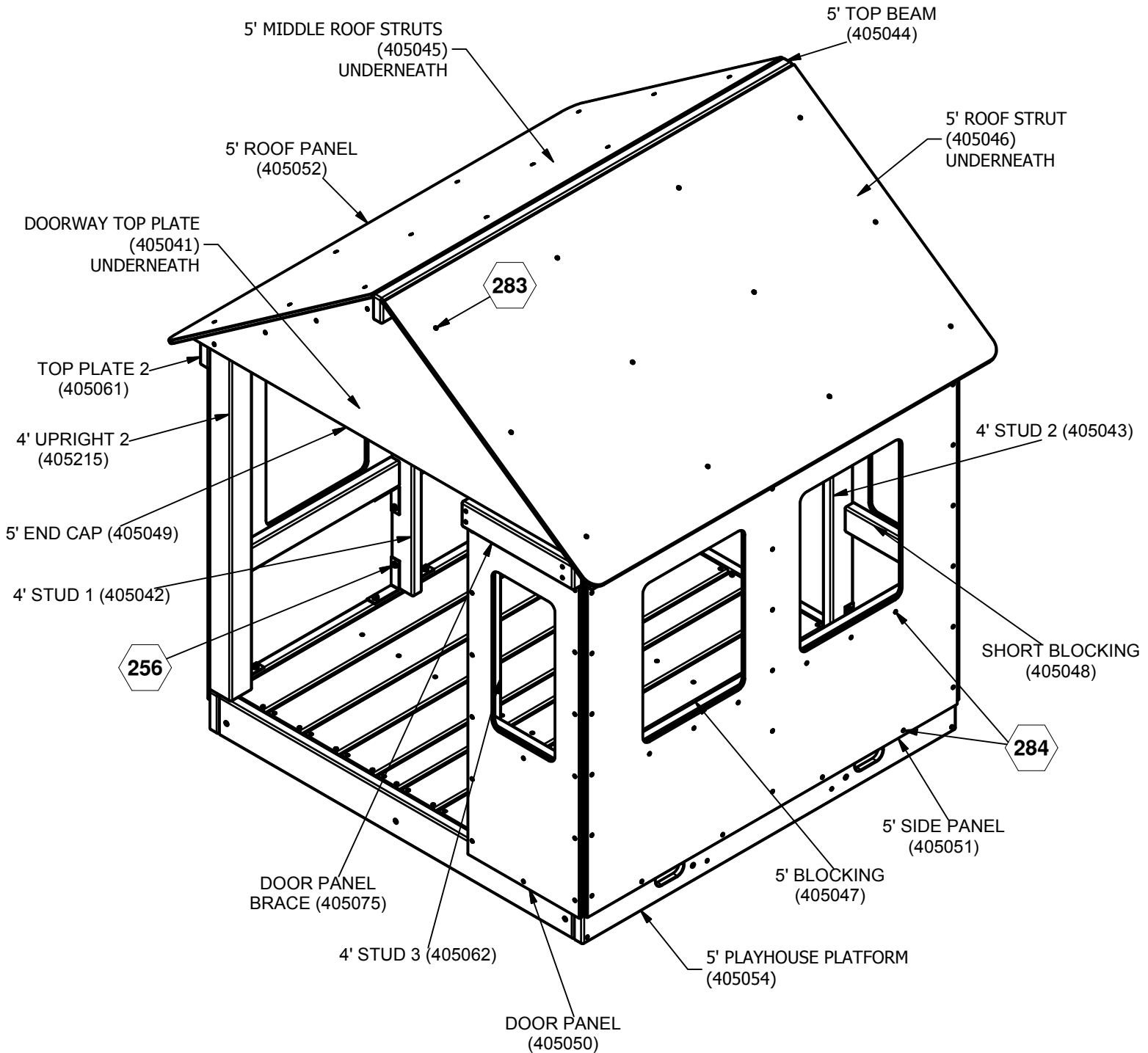
**Hdpe Panels:** Shall be precision cut from a single solid sheet of .50" thick UV-stabilized extruded high-density polyethylene with colors molded in. The material will have a density of 60lbs/ft<sup>3</sup> and a tensile strength of 4400 PSI (30 Mpa) as determined per procedure C of ASTM D1928. All edges shall have radiuses and all corners rounded for safe play.

**Playhouse Angle Bracket:** Shall be 1/8" x 1 1/4" Pickled and Oiled Hot Rolled Flat Steel. Playhouse Angle Bracket will have baked on polyester powder-coated finished after fabrication.

**Platform:** Shall be constructed from 5/4" platform floor and doubler boards, nominal 2" x 4" support boards, and nominal 2" x 6" skirting boards. Platform is constructed using #10 stainless steel screws. All support, doubler, and skirting components are fiberglass reinforced for rigidity.

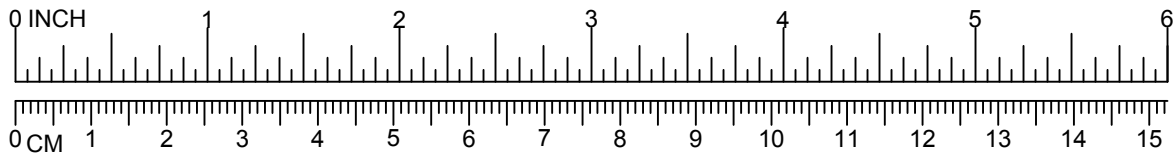
**Hardware:** All nuts, bolts, screws, inserts, and lock washers used in the assembly of all play equipment shall be stainless steel, yellow dichromate plated steel, blue-coated plated steel, mechanically galvanized or powder coated/yellow dichromate plated steel. All primary fasteners shall be 304 alloy stainless steel. Fasteners with yellow dichromate treatment have an electro-deposited, 99% pure zinc substrate applied from a specially formulated solution sealed with a yellow dichromate top coat designed to work in conjunction with the zinc plating. Yellow dichromate has a 320% longer life to white corrosion and 275% longer to red corrosion than does hot-dip galvanizing. Stainless steel fasteners shall be button pin-in head, hex socket cap screws with a two-part epoxy locking patch added to the threads. The two-part locking patch shall consist of one part resin and one part catalyst which are activated during installation. After curing, the material shall require a minimum of five times the installation torque to remove the fastener. Manufacturer shall provide special installation tools for pinned fasteners.

# M59006 5' PLAYHOUSE



**FINISHED ASSEMBLY**

⬡ = INSTALLATION DETAIL

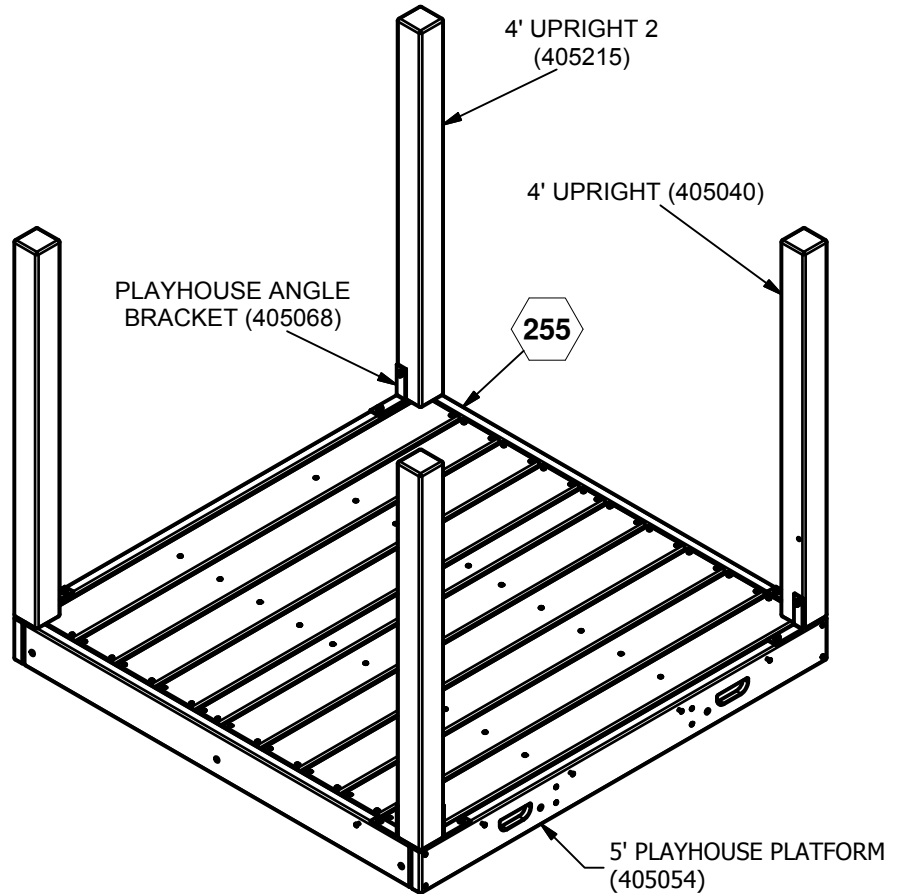
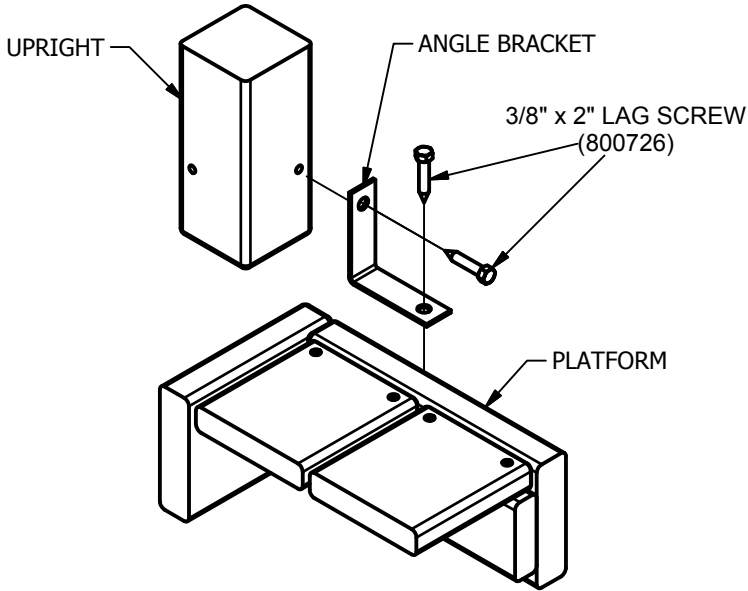


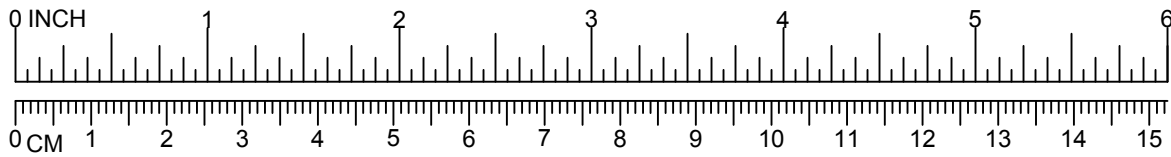
# M59006 5' PLAYHOUSE

## STEP 1

1. Attach 4' Upright and 4' Upright 2 to 5' Playhouse Platform using Playhouse Angle Bracket and 3/8" x 2" Lag Screw. See Detail 255.  
**NOTE:** Make sure that the 4' Upright is flush with the outside of platform before attaching.

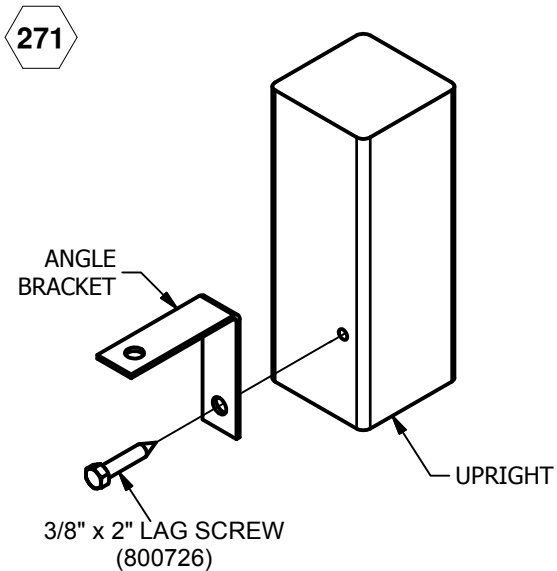
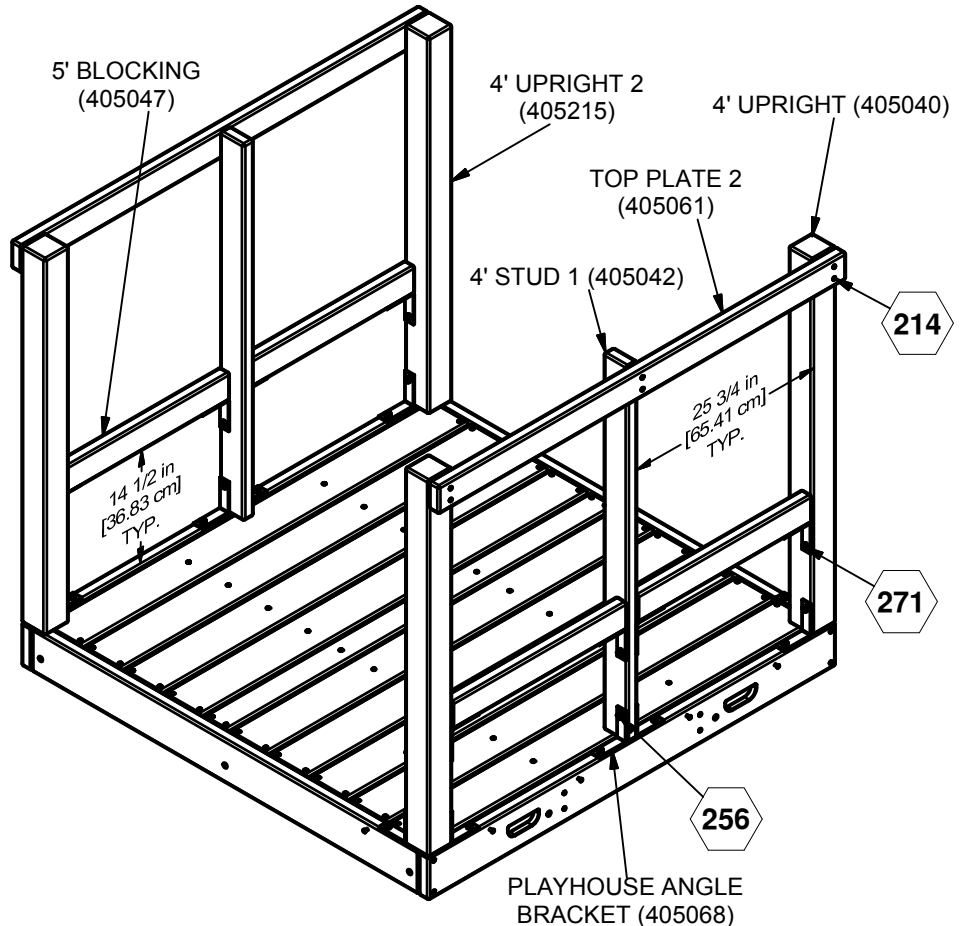
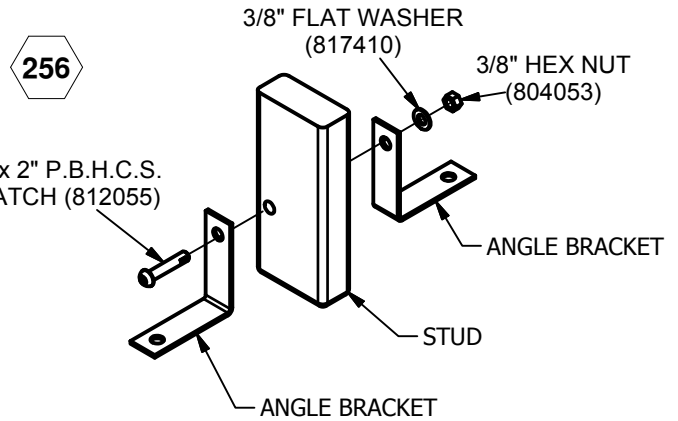
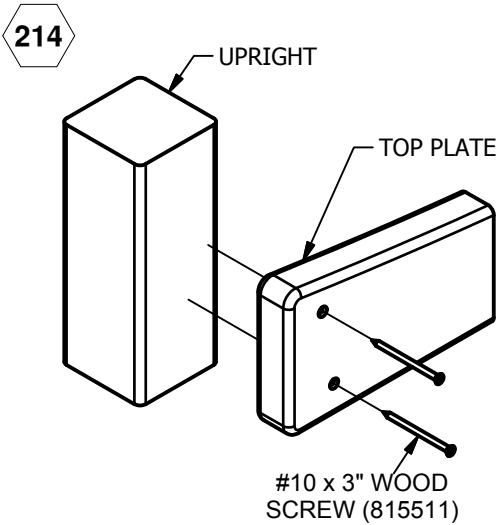
255

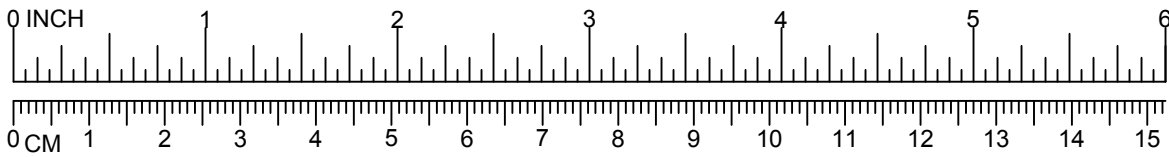




## M59006 5' PLAYHOUSE STEP 2

1. Attach Top Plate 2 to 4' Upright and 4' Upright 2 using #10 x 3" Wood Screws. See Detail 214. **NOTE:** Make sure the top and sides of the Top Plate 2 are flush with the top and sides of the 4' Uprights before attaching.
2. Attach Playhouse Angle Bracket to 4' Stud 1, 4' Uprights, and 4' Upright 2 using 3/8" x 2" P.B.H.C.S. w/Patch, 3/8" Flat Washer, and 3/8" Hex Nut. See Detail 256.
3. Attach Playhouse Angle Bracket to 5' Blockings, 4' Uprights, and 4' Upright 2 using 3/8" x 2" Lag Screws. See Detail 271. **NOTE:** Make sure the face of the 5' Blocking is flush with the face of the 4' Uprights before attaching.

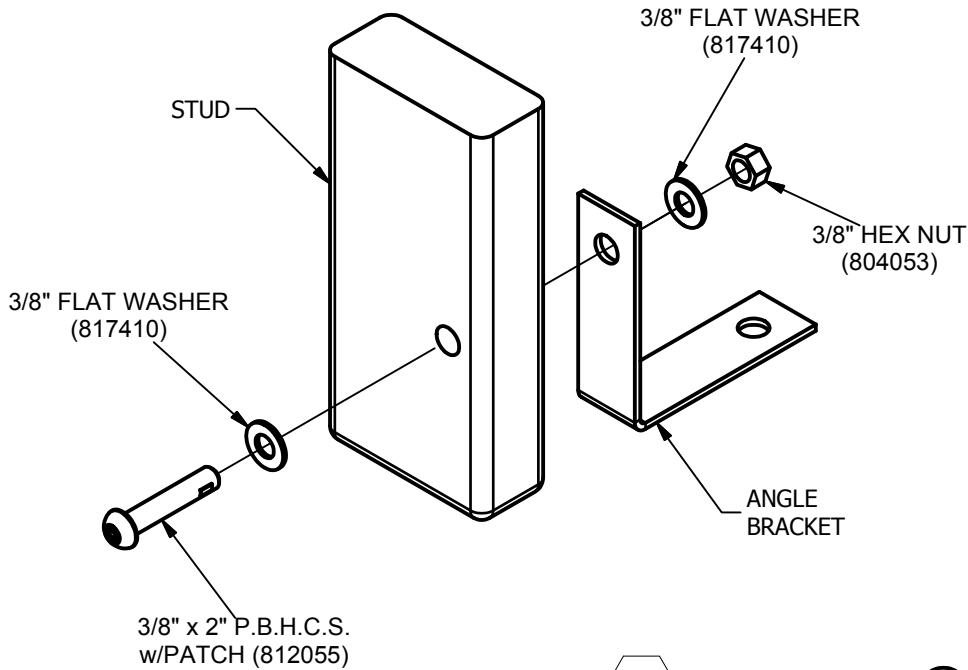




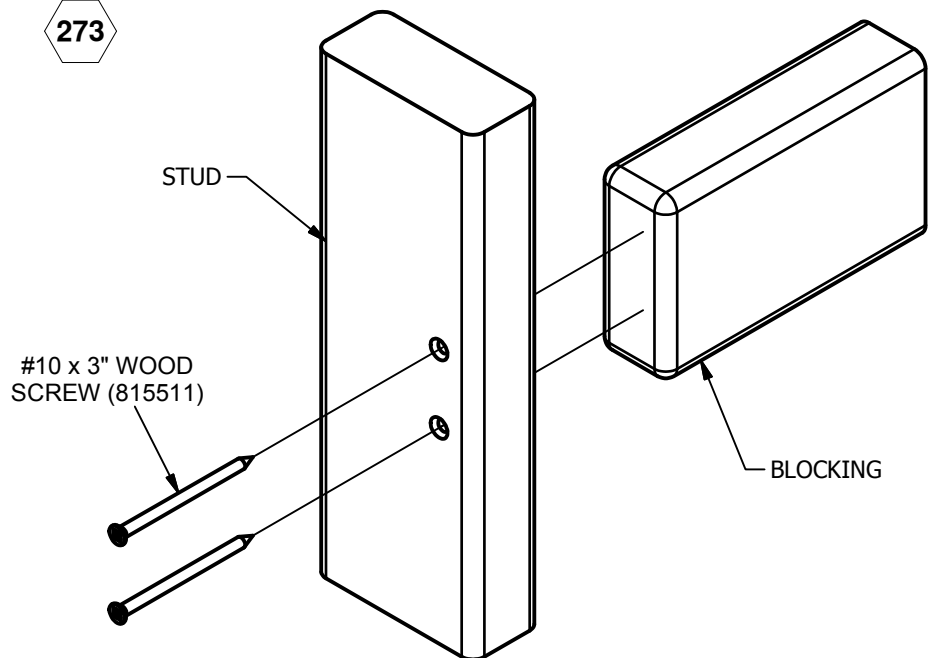
## M59006 5' PLAYHOUSE STEP 3

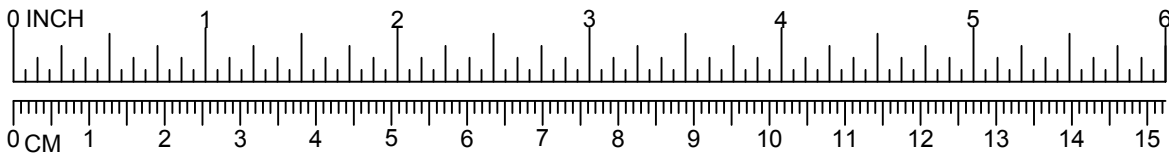
1. Attach Playhouse Angle Brackets to 4' Stud 2 and 4' Stud 3 using 3/8" x 2" P.B.H.C.S. w/Patch, 3/8" Flat Washer, and 3/8" Hex Nut. See Detail 272.
2. Attach Short Blocking to 4' Stud 2 and 4' Stud 3 using #10 x 3" Wood Screw. See Detail 273. **NOTE:** Make sure the face of the Short Blocking is flush with the face of the 4' Stud 2 before attaching.

272



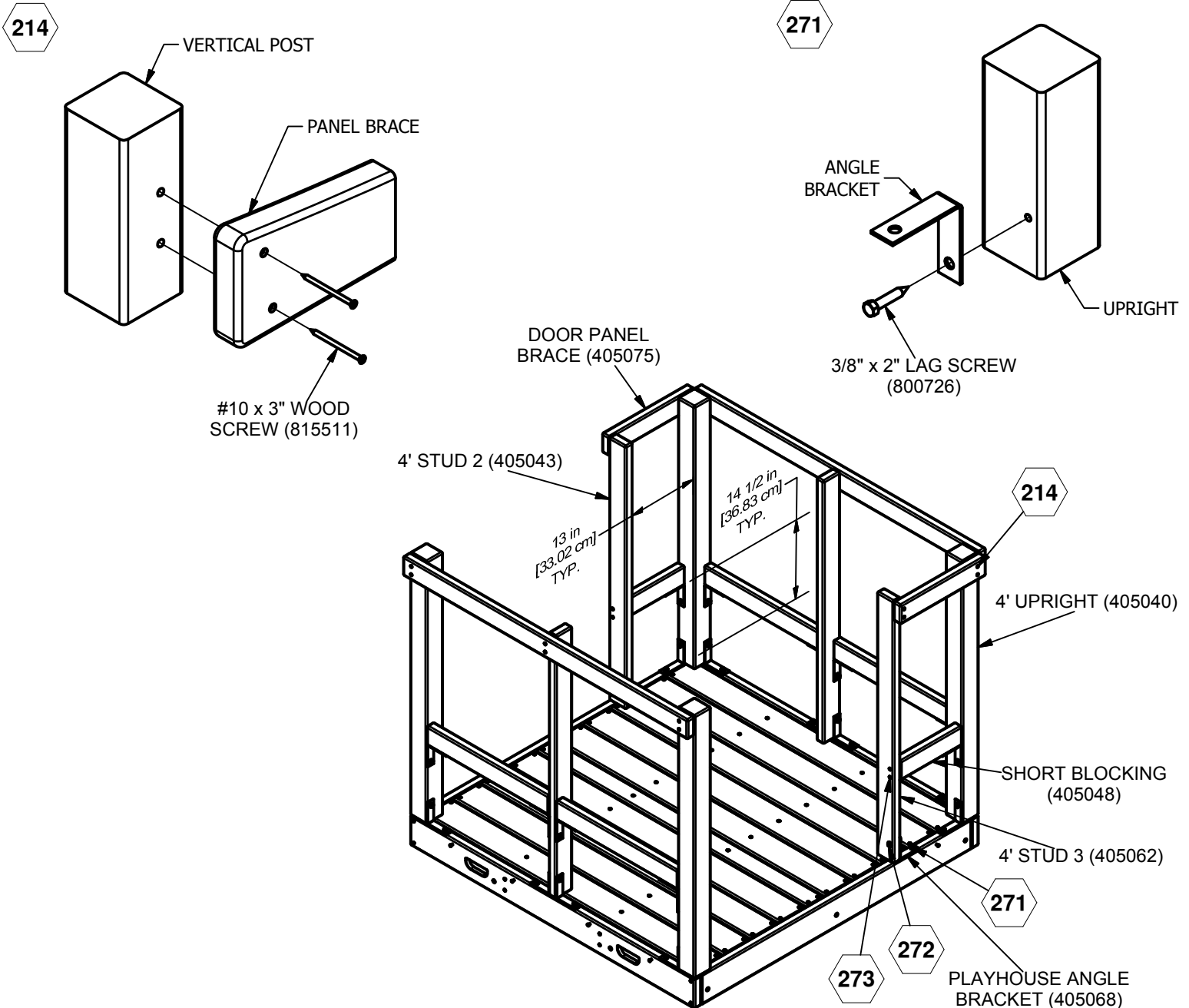
273

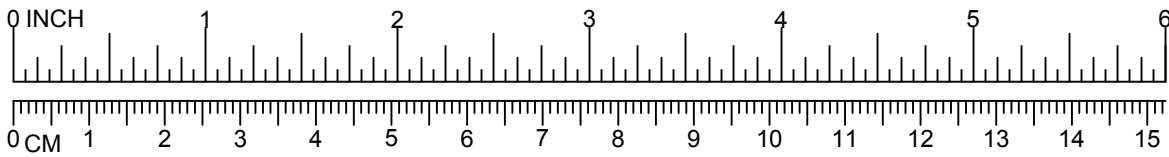




## M59006 5' PLAYHOUSE STEP 3 CONT'D

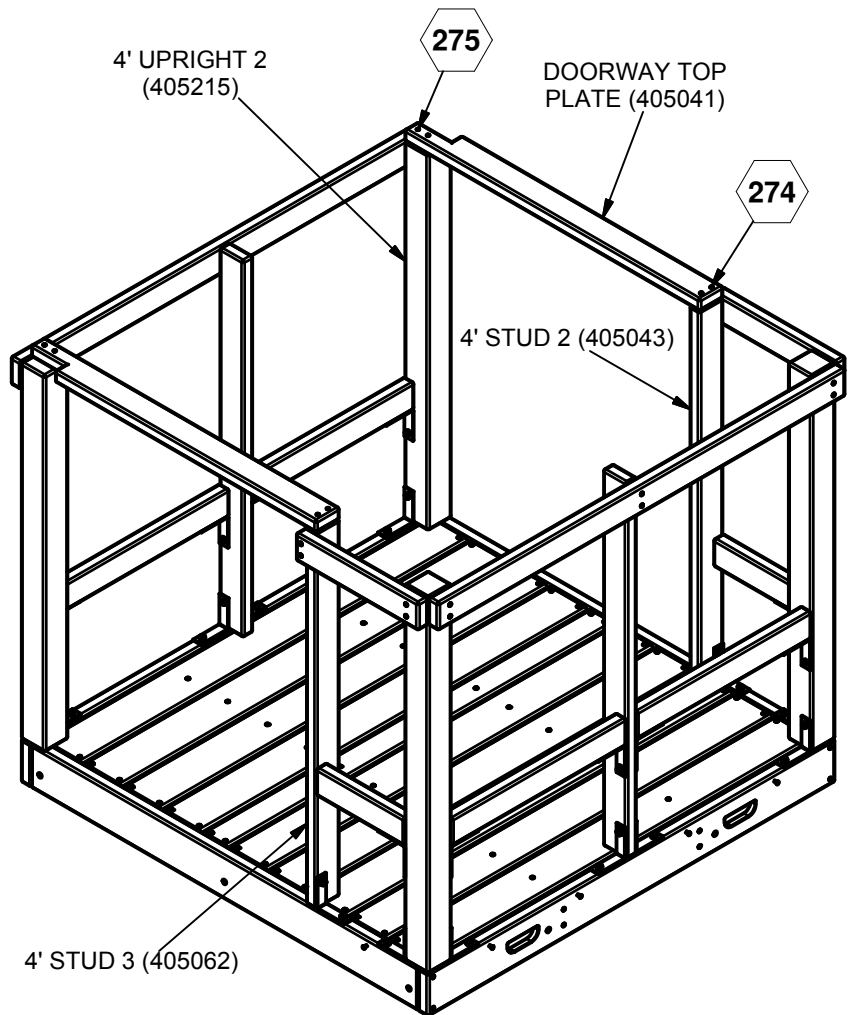
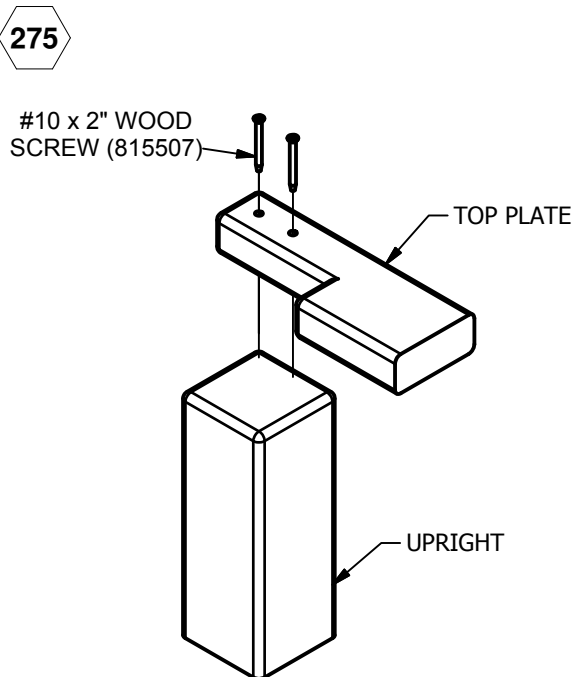
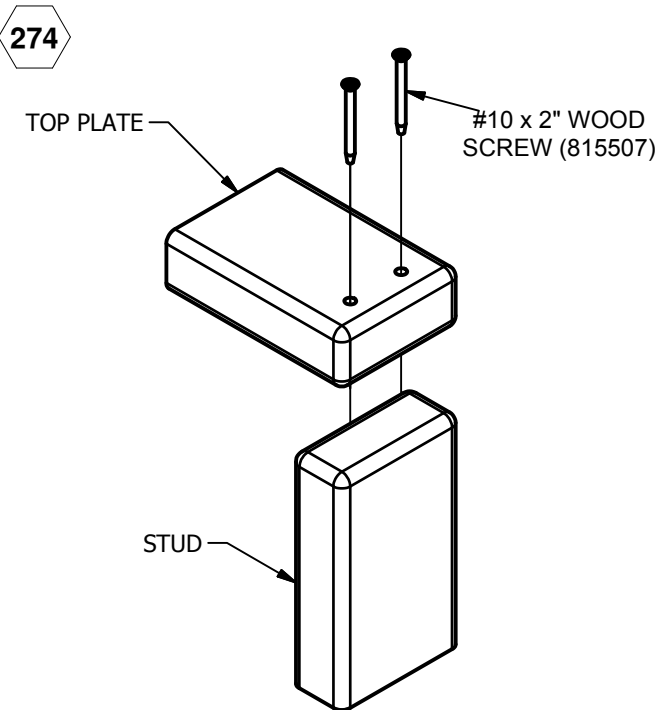
3. Attach Door Panel Brace to 4' Stud 2, 4' Stud 3, and 4' Uprights using #10 x 3" Wood Screws. See Detail 214. **NOTE:** Make sure the Door Panel Brace top and sides are flush with the top and sides of the 4' Upright, 4' Stud 2, 4' Stud 3 before attaching.
4. Attach Playhouse Angle Bracket to Short Blocking and 4' Upright using 3/8" x 2" Lag Screws. See Detail 271. **NOTE:** Make sure the face of the Short Blocking is flush with the face of the 4' Upright before attaching.
5. Attach Playhouse Angle Bracket on 4' Stud 2 and 4' Stud 3 to Platform using 3/8" x 2" Lag Screws. See Detail 271.



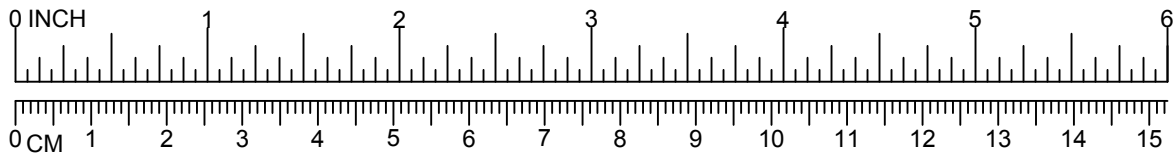


## M59006 5' PLAYHOUSE STEP 4

1. Attach Doorway Top Plate to 4' Stud 2 and 4' Stud 3 using #10 x 2" Wood Screw. See Detail 274. **NOTE:** Make sure the sides and back of the Doorway Top Plate are flush with the sides and back of the 4' Stud 2 before attaching.
2. Attach Doorway Top Plate to 4' Upright 2 using #10 x 2" Wood Screw. See Detail 275. **NOTE:** Make sure the side and front of the Doorway Top Plate are flush with the side and front of the 4' Upright 2 before attaching.

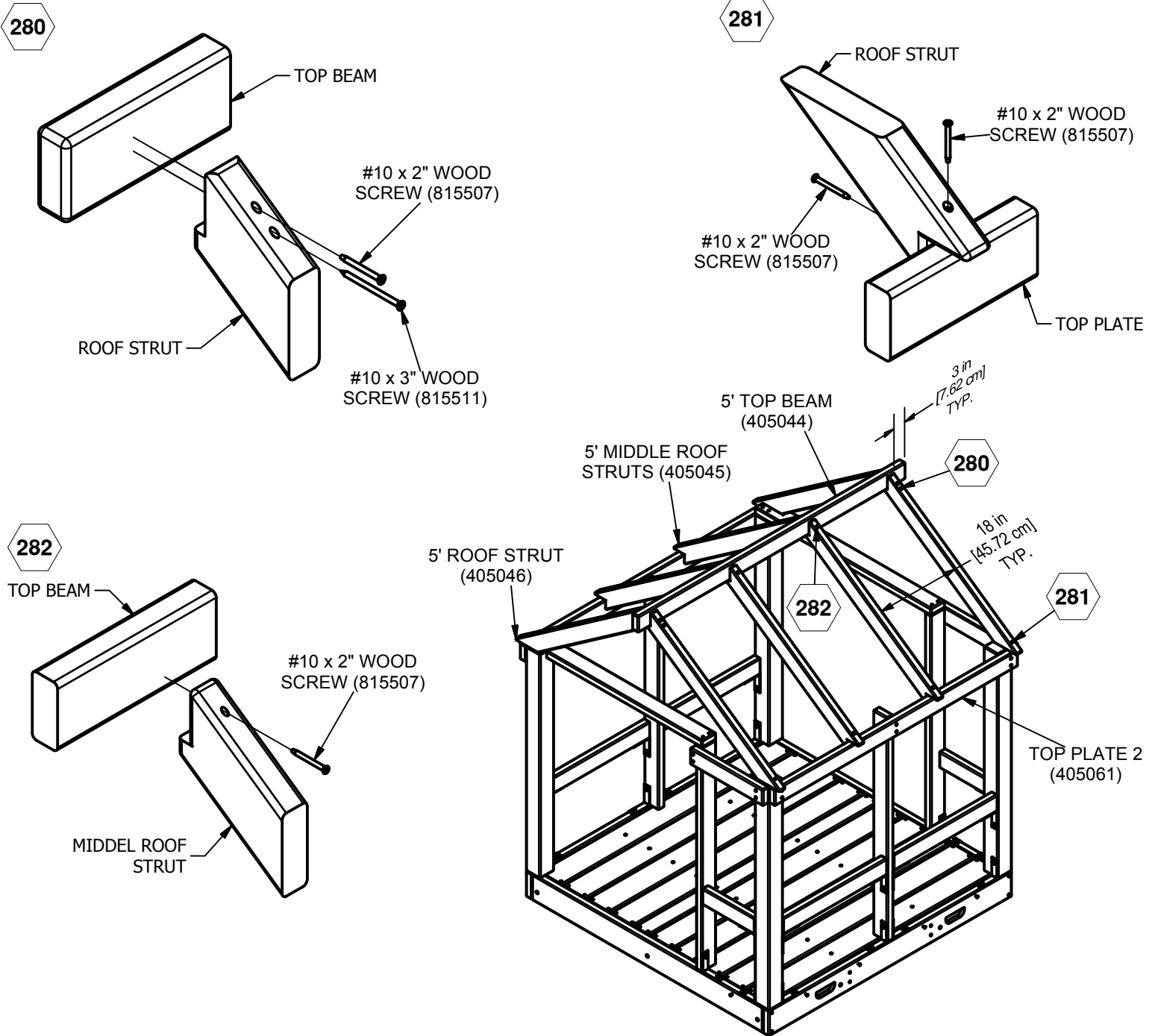


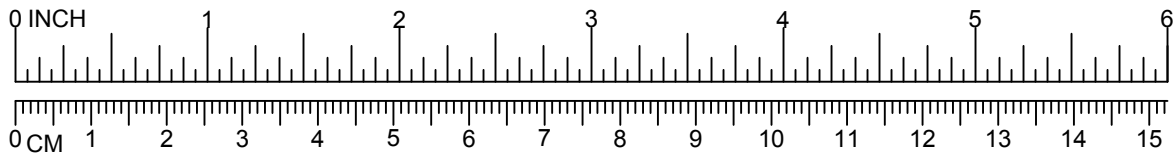




## M59006 5' PLAYHOUSE STEP 5

1. Attach 5' Roof Strut to 5' Top Beam using #10 x 2" Wood Screw and #10 x 3" Wood Screw. See Detail 280.
2. Attach 5' Roof Strut to Top Plate 2 using #10 x 2" Wood Screw. See Detail 281.
3. Attach 5' Middle Roof Strut to 5' Top Beam and Top Plate 2 using #10 x 2" Wood Screw. See Detail 282.

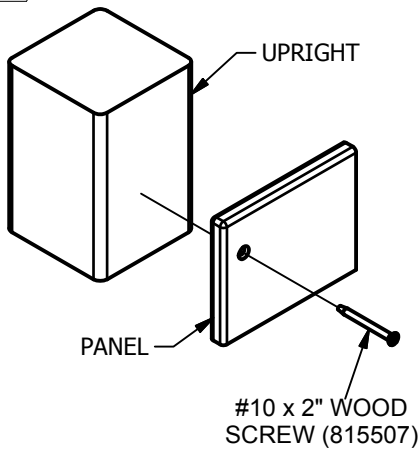




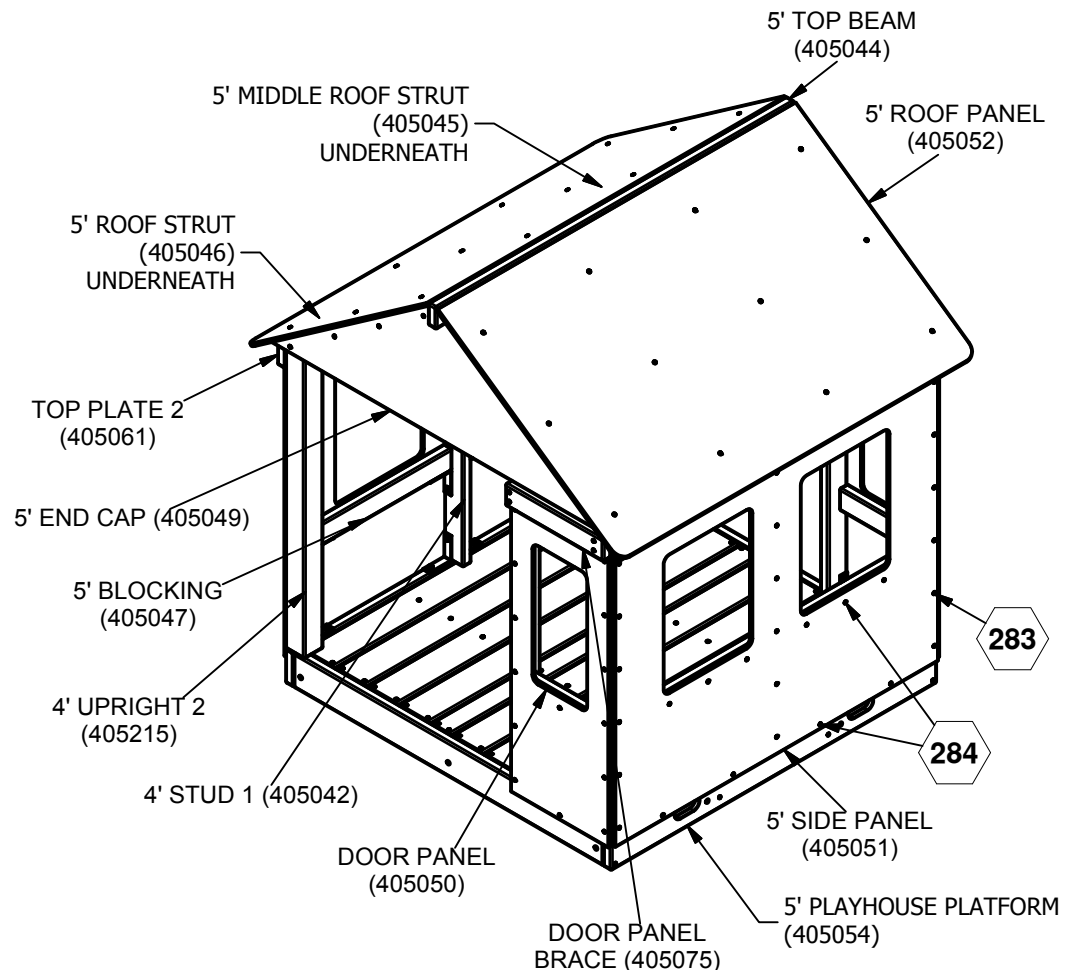
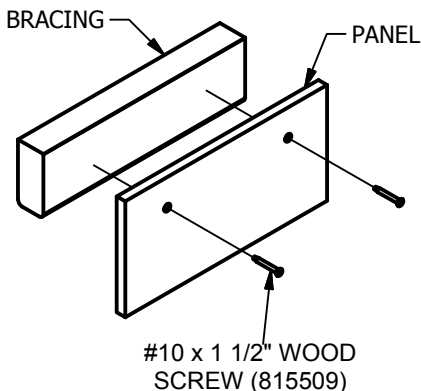
## M59006 5' PLAYHOUSE STEP 6

1. Attach 5' Side Panel to 4' Upright and 4' Stud 1 using #10 x 2" Wood Screw. See Detail 283. **NOTE:** Make sure the top of the 5' Side panel is flush with the bottom of the Top Plate 2 before attaching.
2. Attach 5' Side Panel to 5' Blocking and 5' Playhouse Platform using #10 x 1 1/2" Wood Screw. See Detail 284.
3. Attach Door Panel to 4' Upright and 4' Stud 2 and 3 using #10 x 2" Wood Screw. See Detail 283. **NOTE:** Make sure the top of the Door Panel is flush with the bottom of the Door Panel Brace before attaching.
4. Attach Door Panel to Short Blocking and 5' Playhouse Platform using #10 x 1 1/2" Wood Screw. See Detail 284.
5. Attach Roof Panel to 5' Roof Strut and 5' Middle Roof Strut using #10 x 2" Wood Screws. See Detail 283. **NOTE:** Make sure the top of the Roof Panel is flush with the 5' Top Beam before attaching.
6. Attach 5' End Caps to 5' Roof Struts using #10 x 1 1/2" Wood Screw. See Detail 284. **NOTE:** Make sure the top edges of 5' End Cap meets bottom surface of 5' Roof Panel before attaching.
7. Plumb and level the entire assembly and tighten all fasteners.
8. When the structure is finished and satisfactory, eliminate sharp points and sharp edges (burring) on installed hardware like bolts, nuts, etc. Install resilient surfacing material within the use zone of play structure in accordance with ASTM specifications F1292 appropriate for the fall height for each structure. Refer to the safety guidelines.

283



284



Issued/Revised: 06/15/15

**BigToys**<sup>®</sup>

A PLAYCORE Company

SHEET 10 OF 10

1-866-814-8697

bigtoys.com