

## MEC-024 Friendship Table (Solid Top) MEC-025 Friendship Table (Plank Top)

Parts List			
DESCRIPTION	MEC-024	MEC-025	PART NUMBER
5/4 X 4 TOP GUSSET	2	2	402726
2X4 TOP SUPPORT	2	2	402724
2X4 LEG	4	4	402723
2X4 SEAT SUPPORT	2	2	402725
2X6 SEAT PLANK	2	2	402722
TABLE TOP SLAT	0	4	402721
TABLE TOP PANEL	1	0	402524
----- HARDWARE COMPLETE -----	1	0	402607
----- HARDWARE COMPLETE -----	0	1	402793
1/4-20 X 2-3/4" P.B.H.C.S. SS W/PATCH	20	20	811021
1/4-20 TEE-NUT	16	16	804559
DOWEL NUT, 1/4-20	4	4	1598
1/4" FLAT WASHER (5/8" O.D.)	20	20	817408
#10 x 2-1/2" SHEET METAL SCREW	22	32	810063

*Unless Otherwise Specified, All Units of Measure are Each  
Items listed below Hardware Complete line are included with Hardware Complete Number*

**Warning: During Installation, Hardware And Small Parts Are Choking Hazards For Young Children. Store Unused Parts Appropriately Until Assembly Is Completed. Once Assembly Is Completed, Remove Any Unused Parts From The Play Environment And Dispose/Save Them In A Secure Location. Any bolt end protruding more than two full threads beyond the face of the nut causes risk of clothing entanglement.**

*Promptly cut-off flush, file smooth, and treat to prevent corrosion.*

**Note: Peen Tee-Nuts and Flatwashers to match radius of pipe after assembly is complete.**

**Note: Loctite (supplied by others) should be used on any non-patch hardware.**

### **INSTALLATION INSTRUCTIONS:**

- 1.** Assemble 5/4 x 4 Top Gussets to 2x4 Top Supports using Dowel Nuts, 1/4-20 x 2-3/4" P.B.H.C.S. and 1/4" Flat Washers. Be sure to align groove in Dowel Nuts with the long axis of the 1/4-20 x 2-3/4" P.B.H.C.S. Install #10 x 2-1/2" screws as shown. See Detail 063.
- 2.** Attach 2x4 Legs to 2x4 Top Supports using 1/4-20 x 2 3/4" P.B.H.C.S., Washers, and 1/4-20 Tee Nuts. See Detail 064.
- 3.** Attach 2x4 Seat Supports to 2x4 Legs using 1/4-20 x 2 3/4" P.B.H.C.S., Washers, and 1/4-20 Tee Nuts. See Detail 065.
- 4. (MEC024 ONLY)** Position the Table Top Panel so that screw holes are centered over the 2x4 Top Supports, and the sides are tangent with the ends of the existing 2x4 Top Supports. Secure using #10 x 2-1/2 Screws. See Detail 068.

## MEC-024 Friendship Table (Solid Top) MEC-025 Friendship Table (Plank Top)

### **INSTALLATION INSTRUCTIONS CONT'D:**

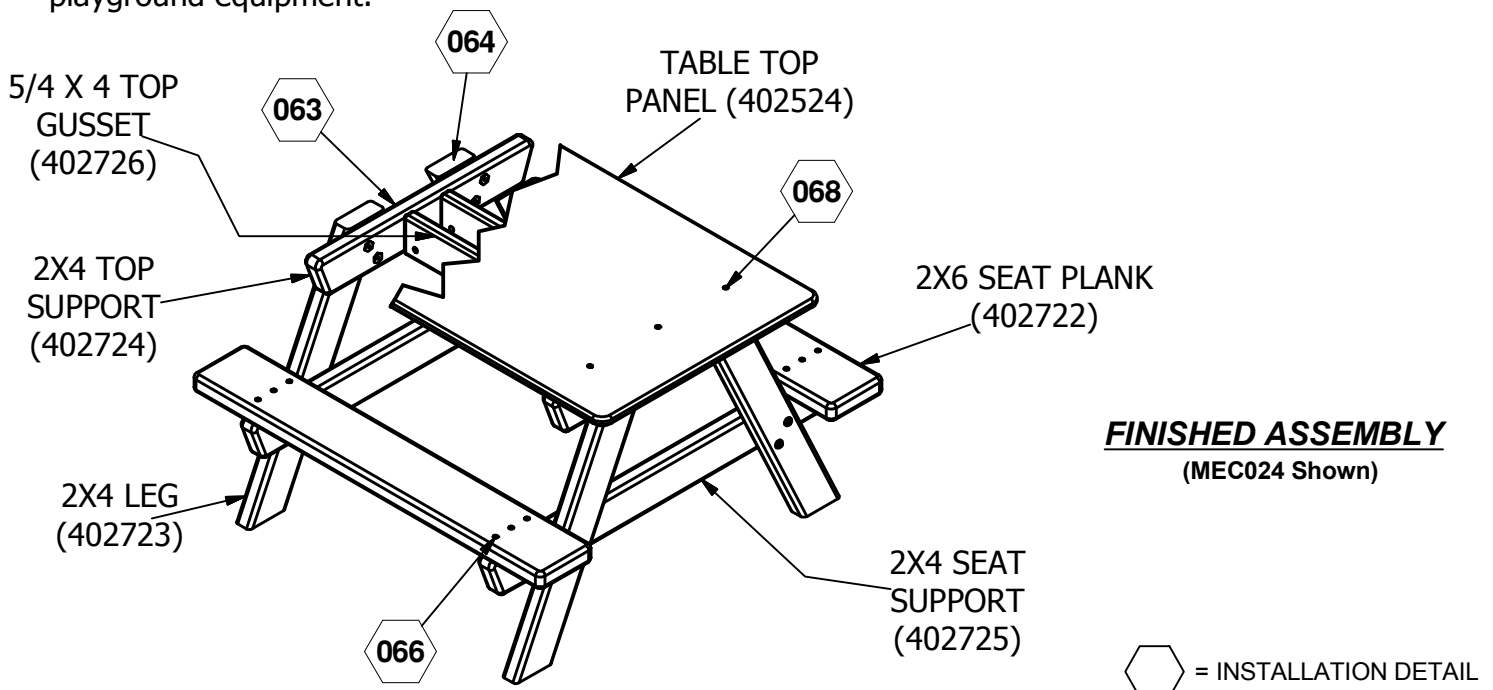
**(MEC025 ONLY)** Center the screw holes of two ea. of the 5/4 x 6 Table Top Slats over the 2x4 Top Supports, and set the edges tangent to the ends of the 2x4 Top Supports. Secure using #10 x 2-1/2 Screws. See Detail 066. Next, position the remaining two ea. of the 5/4 x 6 Table Top Slats so that screw holes are centered over the 2x4 Top Supports, and arrange them so that the ends are aligned with the existing 5/4 x 6 Table Top Slats, and so that there are three equal gaps. Secure using #10 x 2-1/2 Screws. See Detail 067.

**5.** Position the two 2x6 Seat Planks so that screw holes are centered over the 2x4 Seat Supports, and the ends are flush with the ends of the 2x4 Seat Supports. Secure using #10 x 2-1/2 Screws. See Detail 062.

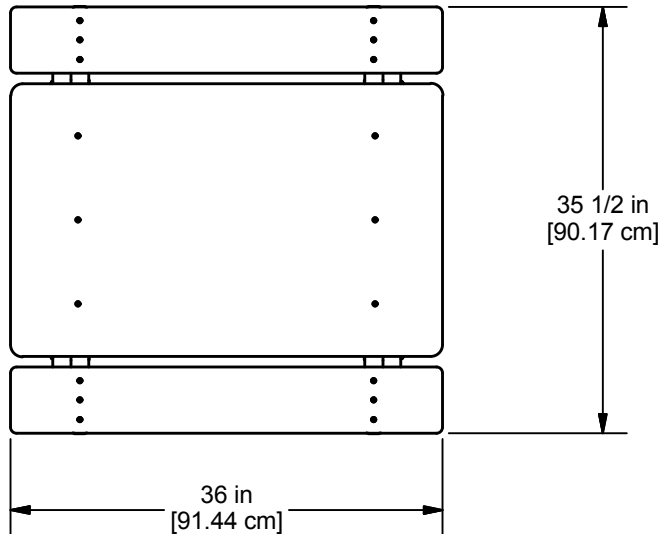
**6.** Check that all hardware connections are securely tightened, and smooth away any sharp edges that may have been created during handling and assembly.

### **MAINTENANCE PROCEDURE:**

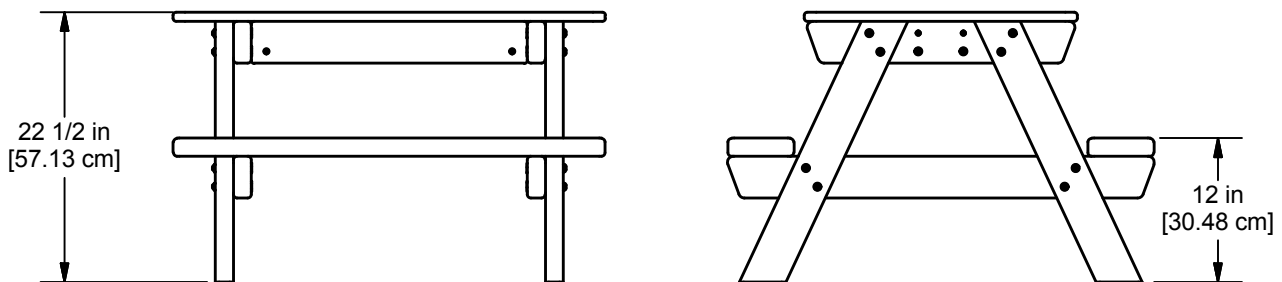
Periodically check hardware for tightness, and tighten as necessary. Always check all parts for breakage or wear, and immediately put equipment out of service until any faulty parts found are repaired or replaced. Also Check all metal parts for rust, paint loss and touch-up if necessary with paint. Check for welded areas and verify integrity. Check periodically resilient surfacing for appropriate depth and remove extraneous materials that could cause injury, infection, or disease. Maintain detailed installation, inspection, maintenance, and repair records for each public-use playground equipment.



*MEC-024 Friendship Table (Solid Top)*  
*MEC-025 Friendship Table (Plank Top)*



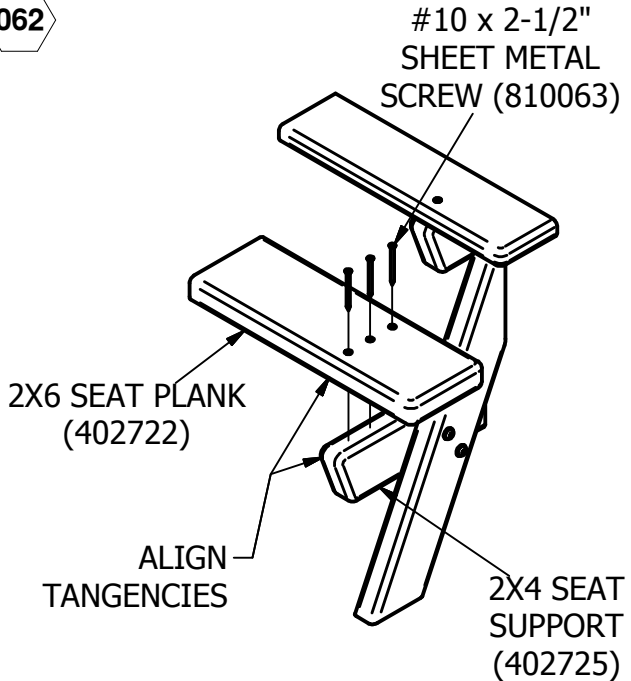
**GROUND PLAN**  
(MEC024 Shown)



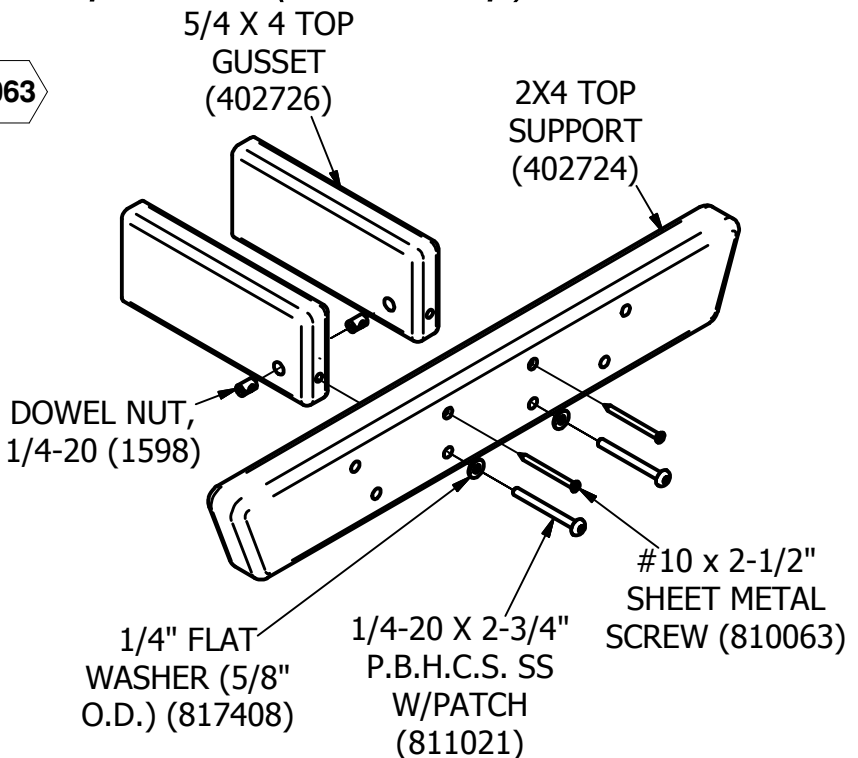
**ELEVATION VIEW**  
(MEC024 Shown)

MEC-024 Friendship Table (Solid Top)  
MEC-025 Friendship Table (Plank Top)

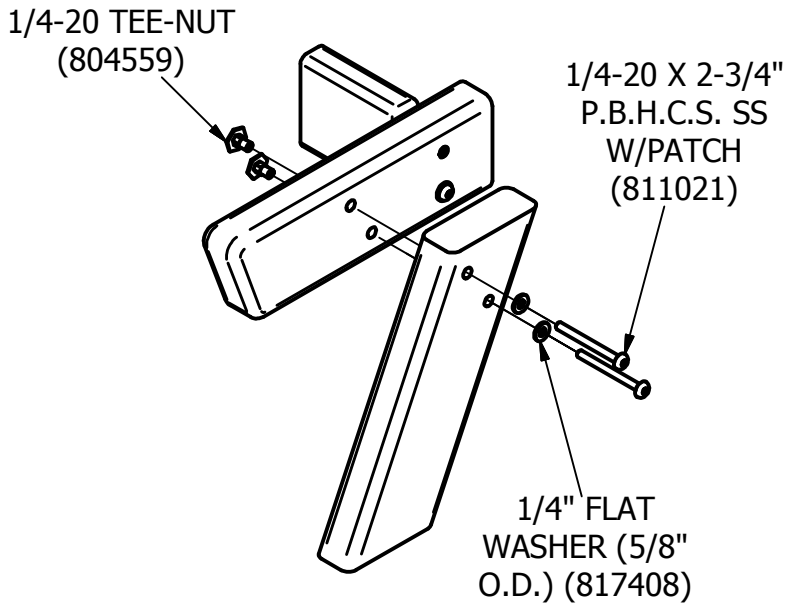
062



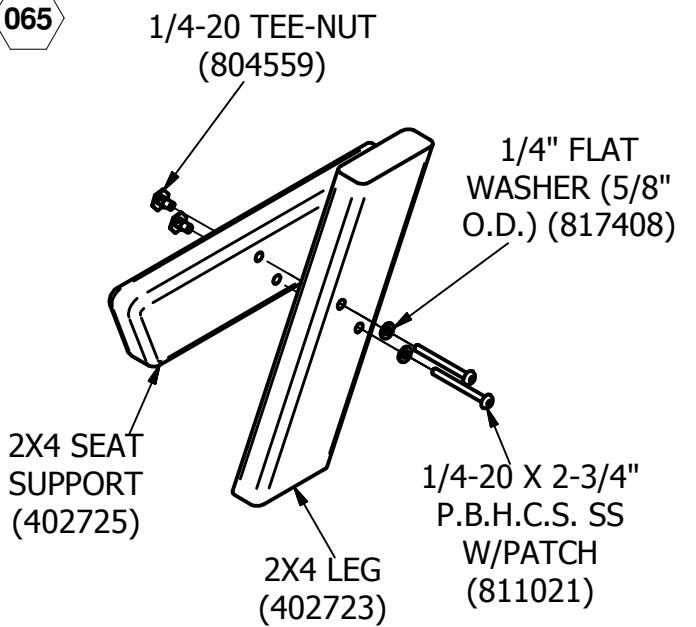
063



064

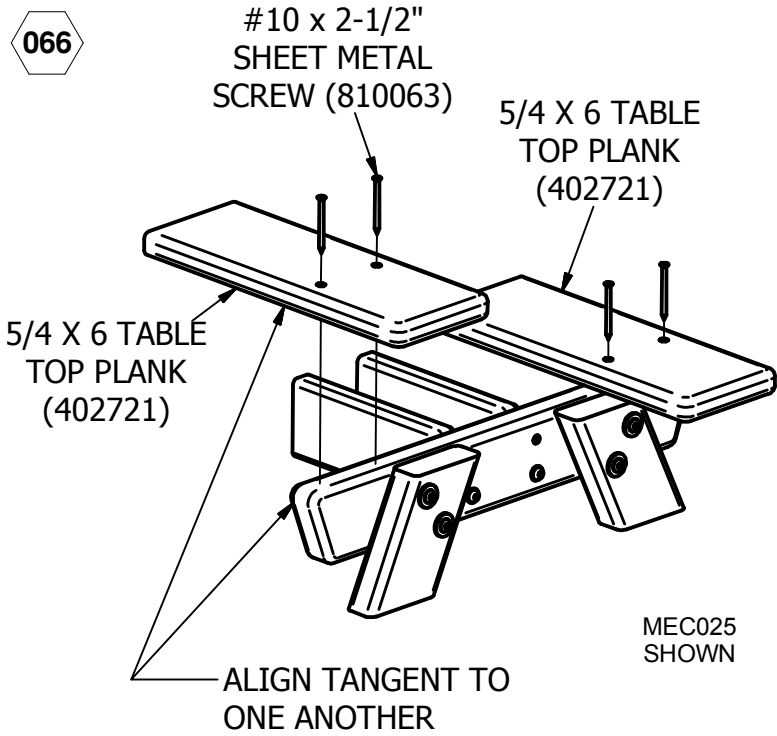


065

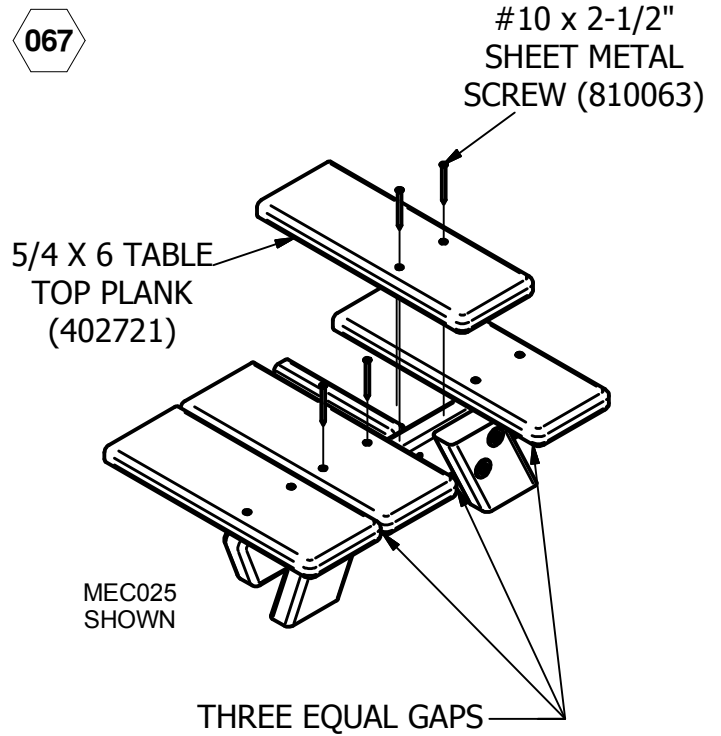


MEC-024 Friendship Table (Solid Top)  
MEC-025 Friendship Table (Plank Top)

066



067



068

