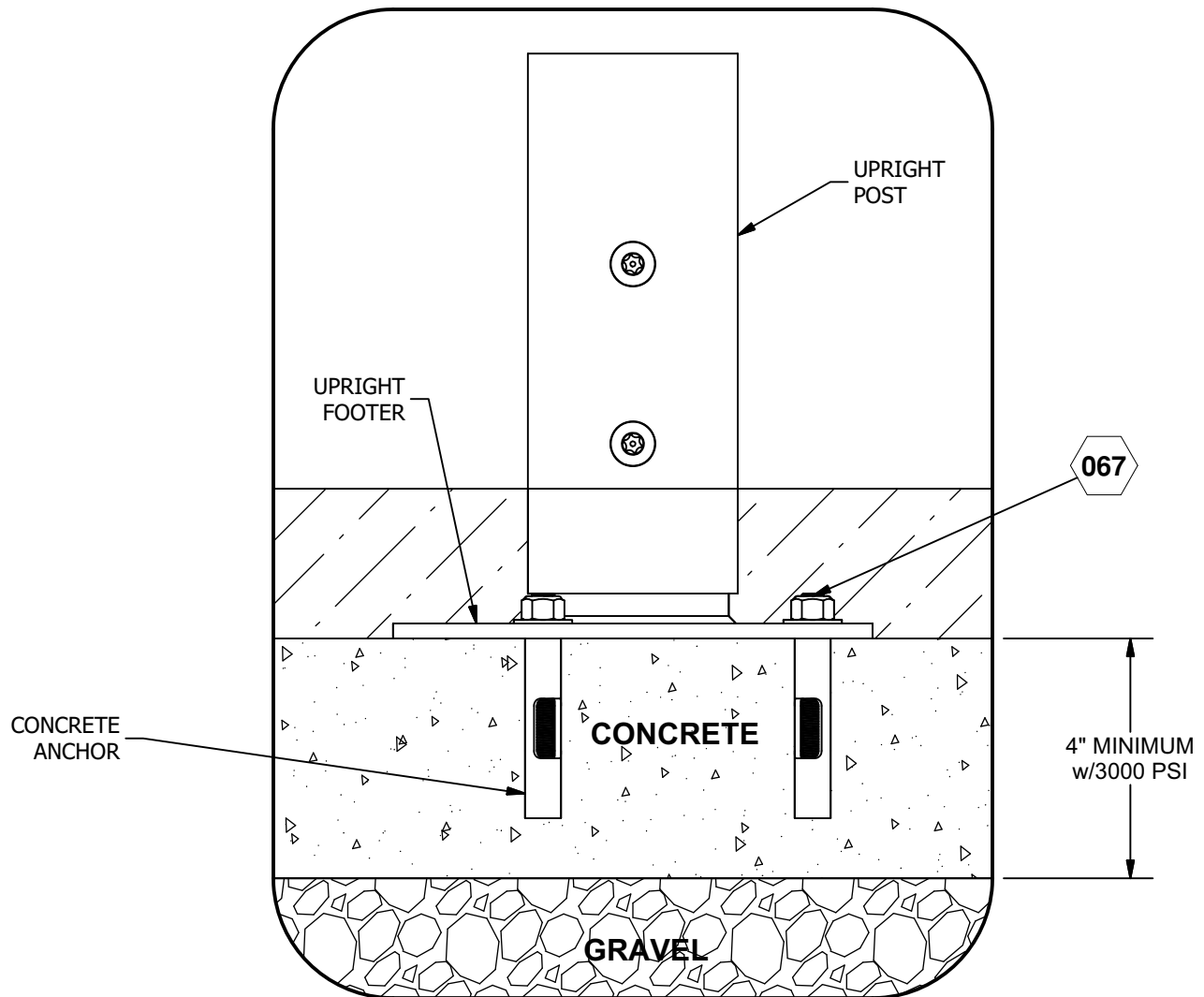


## FOOTING DETAIL - SURFACE MOUNT (33-12-0139)

Parts List		
DESCRIPTION	QTY	PART NUMBER
CONCRETE ANCHOR	78	33-11-0702



**IMPORTANT:** Never install play equipment over hard, unresilient surfaces such as asphalt, concrete, or compacted earth. It is the owner's responsibility to ensure the "minimum area required" contains an appropriate amount of resilient material to cushion accidental falls.

### SITE PREPARATION

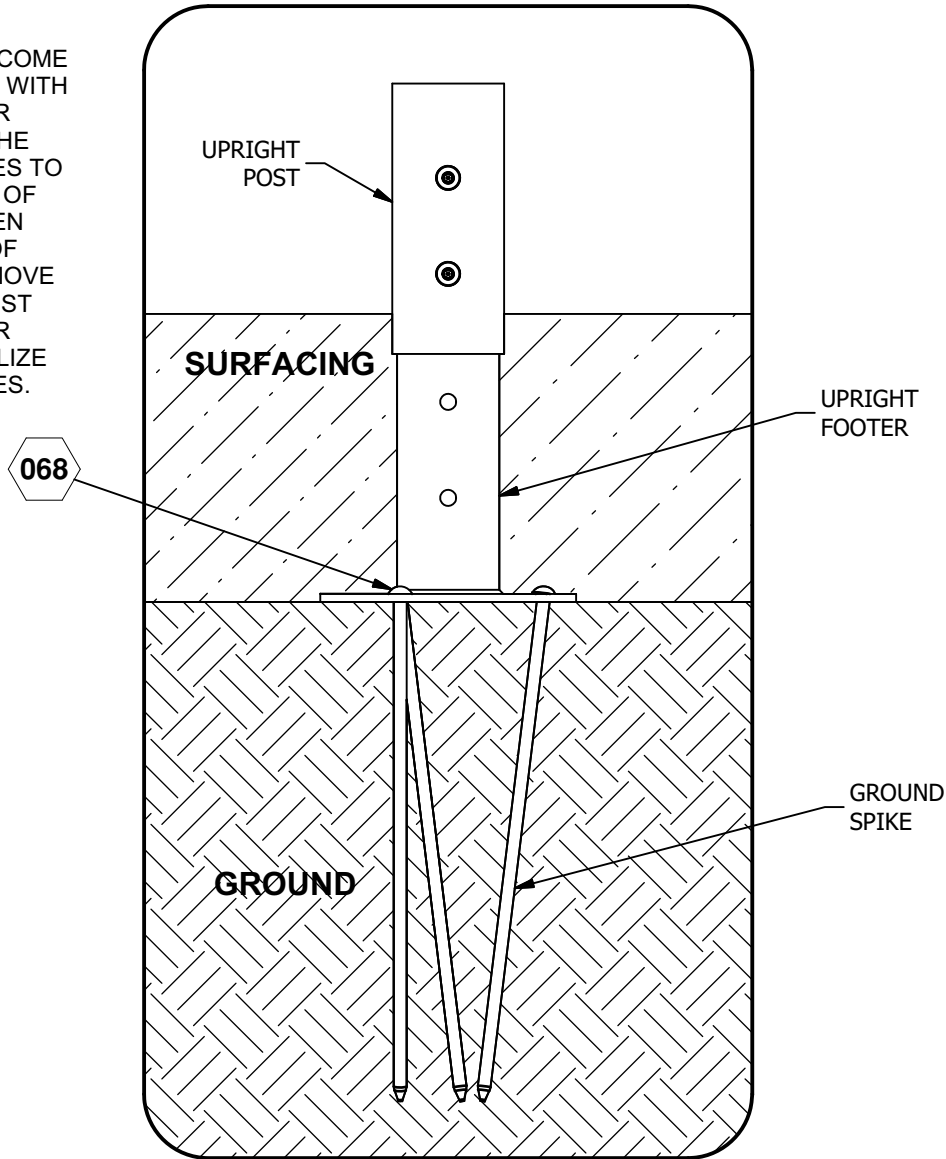
Clear area of any debris and level surface. Equipment is designed to be installed on a level surface.

Issued/Revised: 04/24/14

## FOOTING DETAIL - ON GROUND (33-12-0140)

Parts List		
DESCRIPTION	QTY	PART NUMBER
GROUND SPIKE	78	02-07-0048

**IMPORTANT:**  
UPRIGHTS WILL COME PRE-ASSEMBLED WITH UPRIGHT FOOTER POSITIONED IN THE BOTTOM (2) HOLES TO ACCOMMODATE 2" OF SURFACING. WHEN INSTALLING 12" OF SURFACING, REMOVE BOLTS AND ADJUST UPRIGHT FOOTER POSITION TO UTILIZE THE TOP (2) HOLES.



**IMPORTANT:** Never install play equipment over hard, unresilient surfaces such as asphalt, concrete, or compacted earth. It is the owner's responsibility to ensure the "minimum area required" contains an appropriate amount of resilient material to cushion accidental falls.

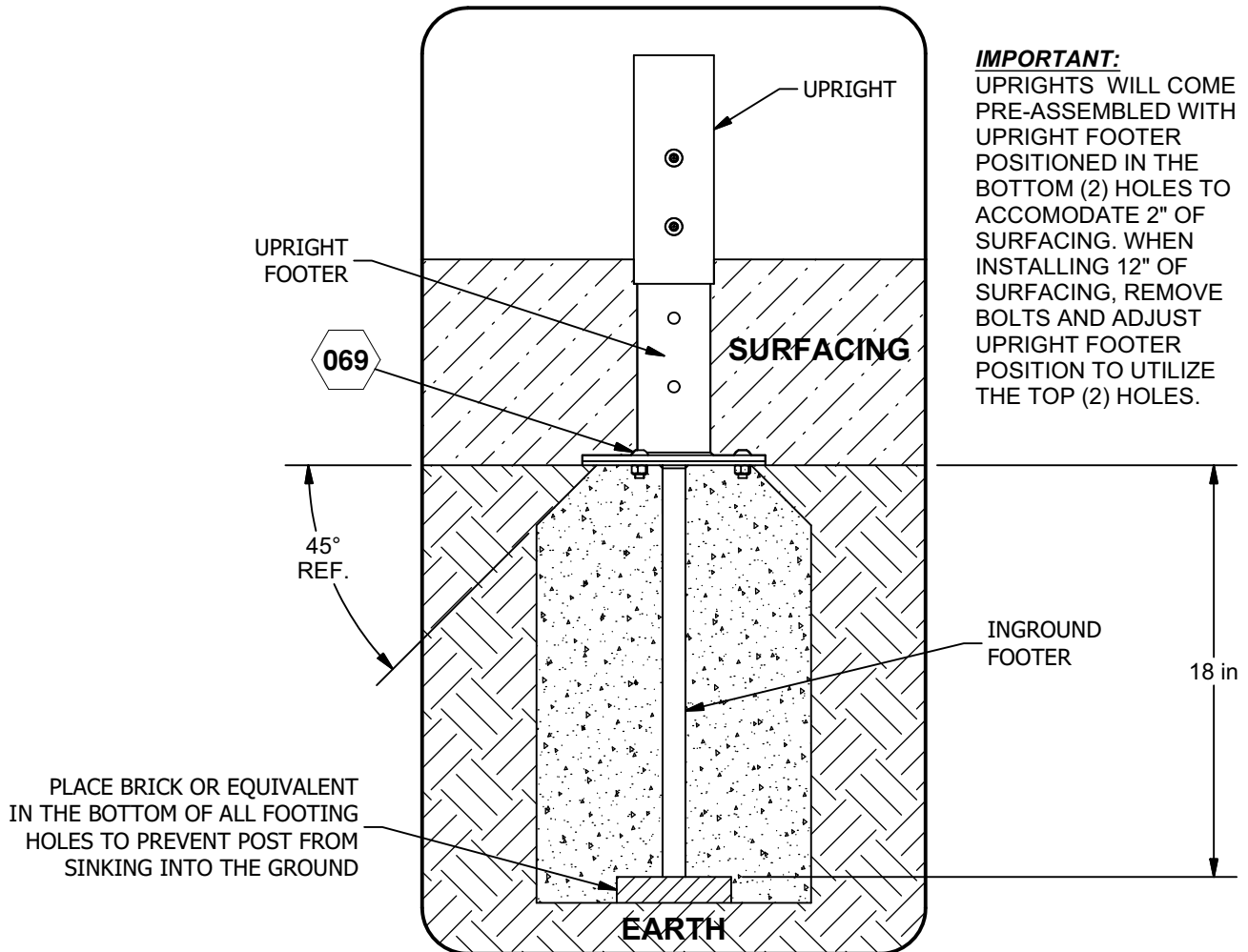
### SITE PREPARATION

Clear area of any debris and level surface. Equipment is designed to be installed on a level surface.

Issued/Revised: 04/24/14

## FOOTING DETAIL - IN GROUND (33-12-0141)

Parts List		
DESCRIPTION	QTY	PART NUMBER
INGROUND FOOTER	26	02-07-0049
3/8" x 1 1/4" P.B.H.C.S. w/PATCH	78	33-05-0019
3/8" FLAT WASHER	78	33-02-0002
3/8" HEX NUT	78	33-01-0002



**IMPORTANT:** Never install play equipment over hard, unresilient surfaces such as asphalt, concrete, or compacted earth. It is the owner's responsibility to ensure the "minimum area required" contains an appropriate amount of resilient material to cushion accidental falls.

### SITE PREPARATION

Clear area of any debris and level surface. Equipment is designed to be installed on a level surface.