

USER GROUP: 2-5 Years

RECOMMENDED CREW: 4 People

TOOLS REQUIRED:

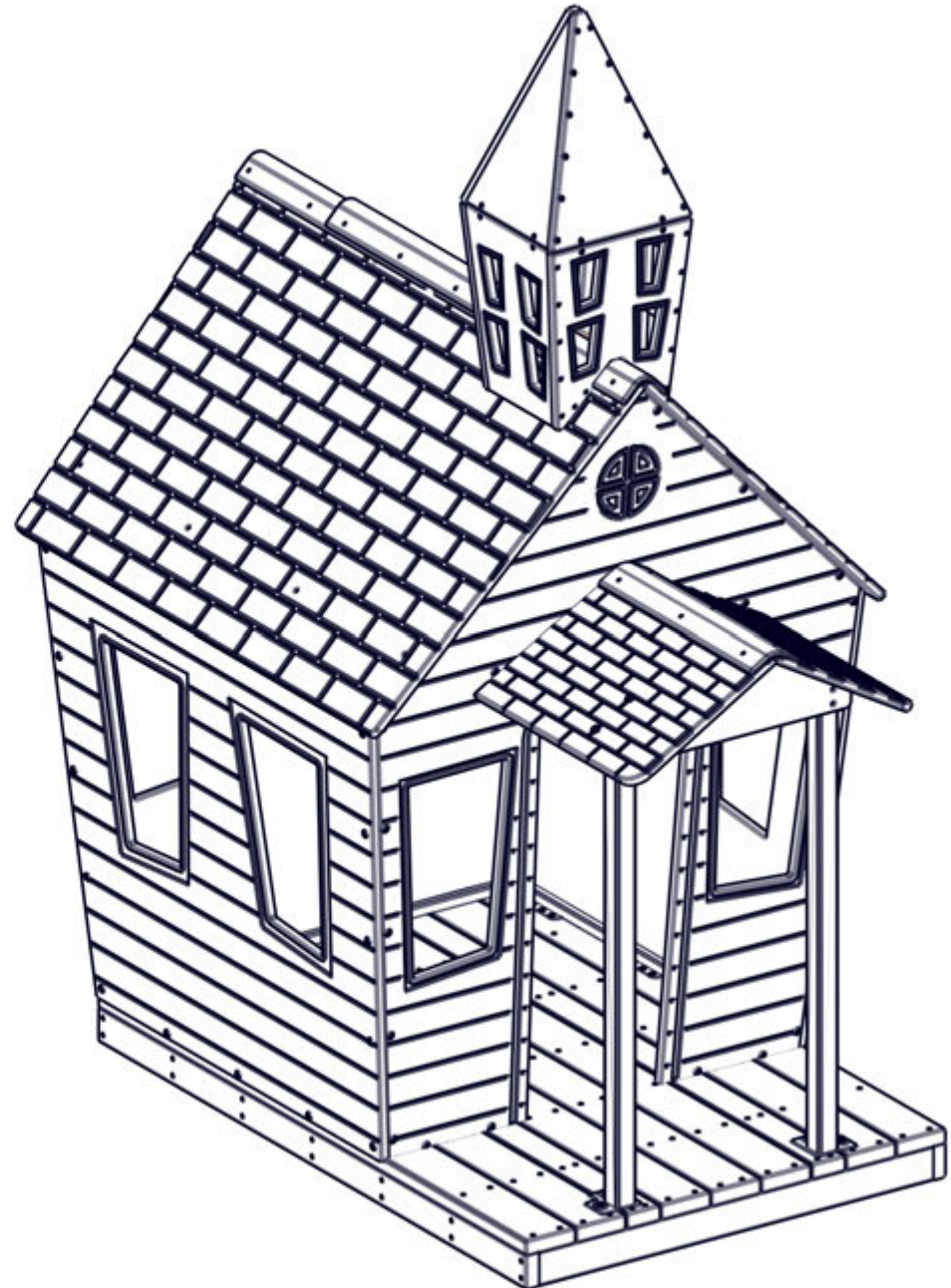
- T-30, TT-30 Torx, 3/16" Allen wrench, #1, #2 square drive
- Level
- Drill Bits: 3/32", 5/32", 7/64", 7/32", 21/64"
- High Speed 3/8" Electric Drill with Clutch

NOTE: Use of any other driver may result in damage to product, tool, and/or hardware!

INSTALLATION TIME: 3 Hours

WEIGHT: 831 lbs.

CONCRETE REQUIRED: None



**PRE-INSTALLATION CHECK:**

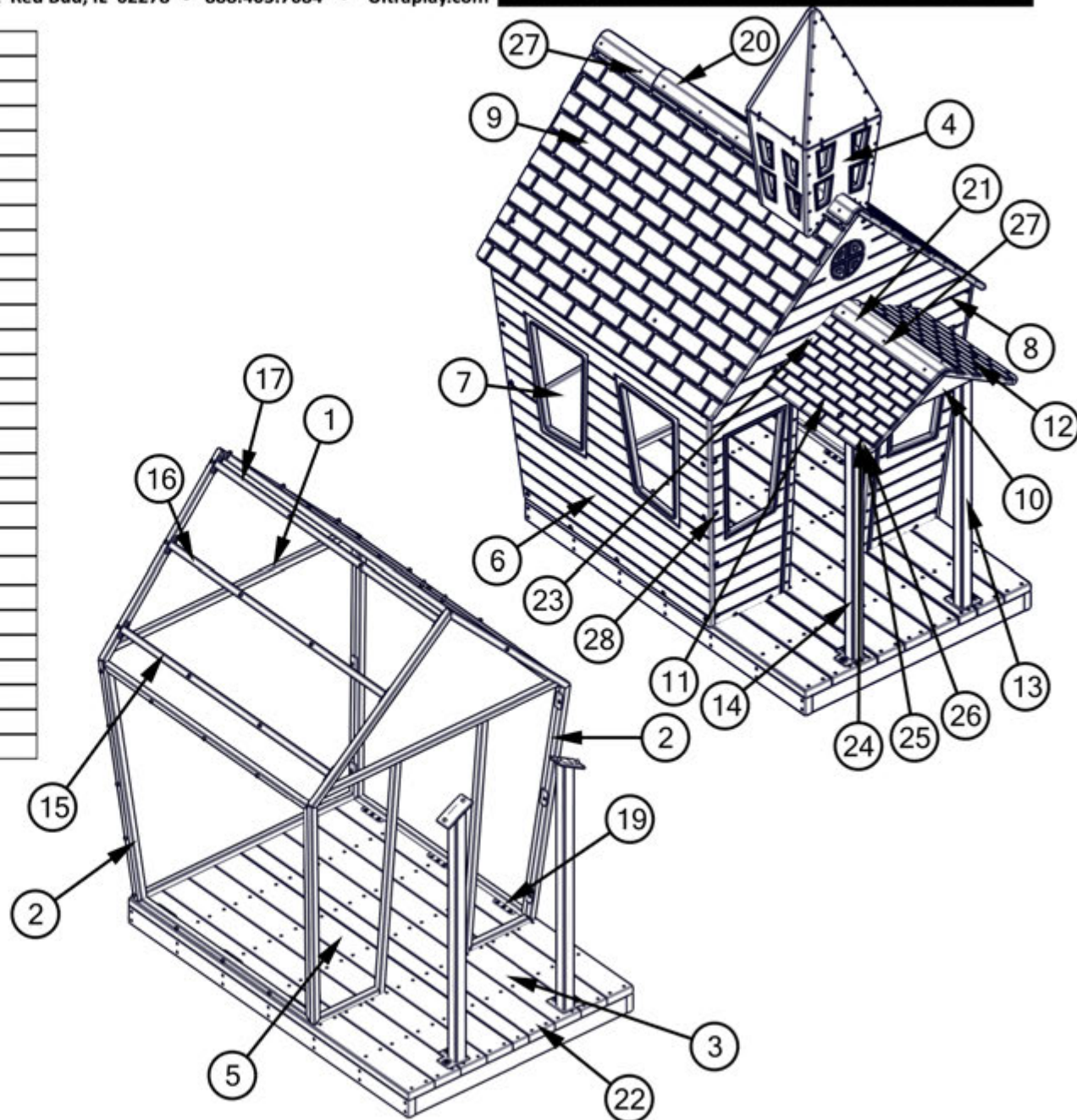
**Customer is responsible** for verifying materials received by comparing received items with packing list. If any parts are missing or damaged, including documentation, contact your local sales representative immediately.

**Supplier is not responsible** for items discovered missing after 72 hours from time of delivery.

**Before beginning installation, all installers must read and understand the Installation Introduction manual as supplied.** If you did not receive a copy, or if you have any questions regarding any information in the Installation Instructions or this Installation Guideline, contact your local sales representative.

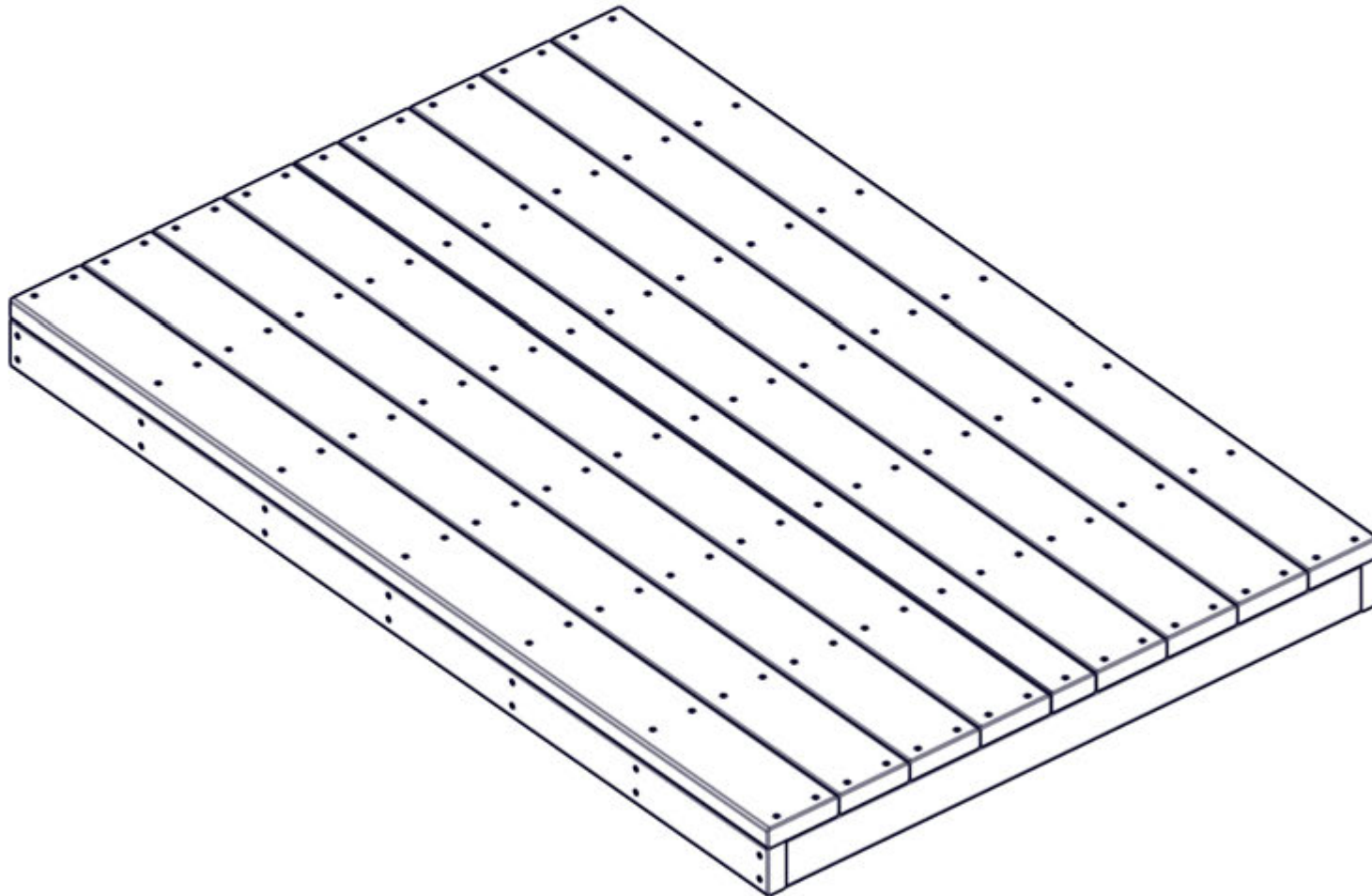


ITEM	Part No.	QTY	DESCRIPTION
1	AFB-31124XX	1	Wildmnt - R-town School/House Back Panel Frame
2	AFB-31123XX	2	Wildmnt - R-town School/House Side Panel Frame
3	TRA0162XX	1	Pre-Assem. - R-Town Deck
4	RSA-0976XX	1	Sheet - R-Town Church Steeple
5	AFB-31669XX	1	Wildmnt - R-town Church Front Panel Frame
6	RSP-1882XX	2	Sheet - R-Town® Cottage Side Wall Panel
7	RSP-2460XX	1	Sheet - R-Town® Back Panel
8	RSP-2458XX	1	Sheet - R-Town Church Front Panel
9	RSP-1674XX	2	Sheet - R-Town Roof
10	RSP-1669XX	1	Sheet - R-Town School Porch Roof Support
11	RSP-1677XX	1	Sheet - R-Town Porch Roof (Left Side)
12	RSP-1678XX	1	Sheet - R-Town Porch Roof (Right Side)
13	AFB-31145XX	1	Wildmnt - R-town Porch Roof Support Post (Right)
14	AFB-31670XX	1	Wildmnt - R-town Church Porch Roof Support Post (Left)
15	AFB-31149XX	2	Wildmnt - R-town Roof Support Bottom
16	AFB-31150XX	2	Wildmnt - R-town Roof Support Middle
17	AFB-31151XX	2	Wildmnt - R-town Roof Support Top
18	HWS0021	60	Screw - 1/4" x 1" Self Tapping Torx w/Patch
19	HWS0298	29	Screw - 1/4" x 1-1/2" RSS SS
20	RMP-0054XX	3	Plastic - R-Town Roof Ridge Cap 1 (Made from Junction Cube Corner)
21	RMP-0055XX	1	Plastic - R-Town Roof Ridge Cap 2 (Made from Junction Cube Corner)
22	HWWR0092	4	Washer 3/8" ID x 1-1/4" OD Flat SS
23	HWS0107	2	Screw #8 x 1-5/8" Deck SS
24	HWB0344	4	Bolt - 5/16"-18 x 3/4" ABH SS
25	HWN0149	4	Nut - 5/16 - Zn Insert Type I
26	HWWR0114	4	Washer 5/16 ID x 3/4 OD Flat .05
27	HWS0106	28	Screw #6 x 1" Deck SS
28	HWS0081	81	3/8" x 1-1/4" Self Tapping Torx w/patch



**STEP 1**

Place deck into final location. Deck will not be moved once placed. Refer to the site plan drawing and site elevation drawing for placement of all structures. Installer is responsible for proper location of all structures. Either end of deck can be designated as the front.





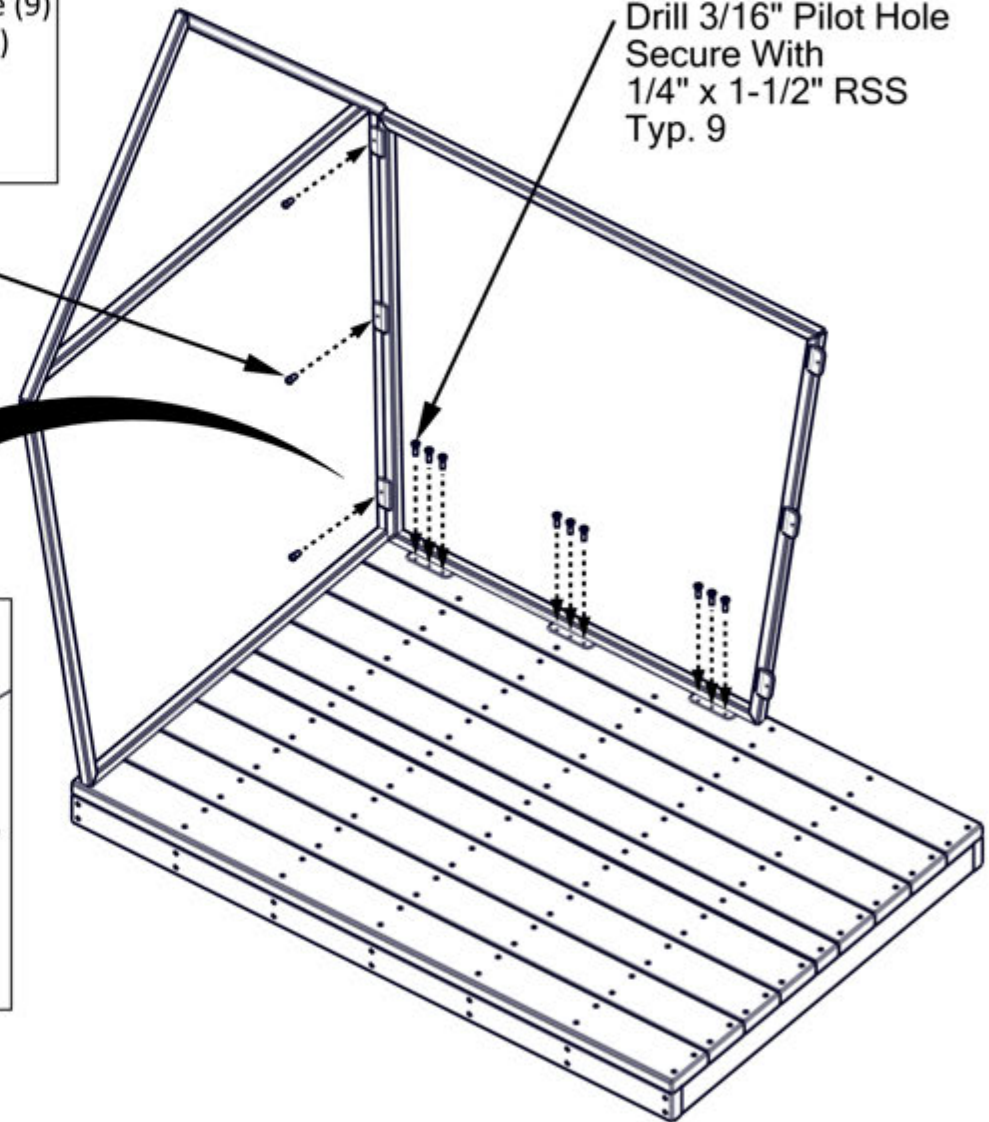
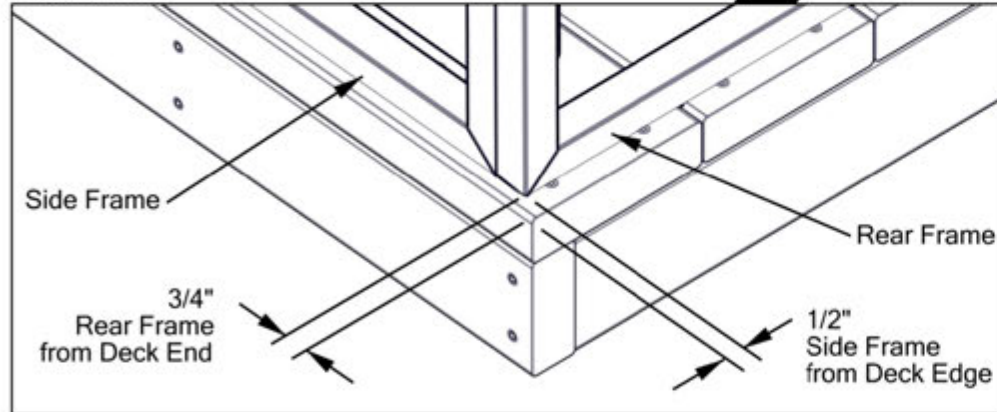
**STEP 2**

Mount rear frame and side frame. Place rear frame 3/4" from rear edge of deck. Center rear frame on deck. Place side frame 1/2" from side edge of deck. See Detail 2-1. At bottom plates on side frame, drill nine (9) 3/16" pilot holes through bottom plates into deck. Secure with nine (9) 1/4" x 1-1/2" RSS. At edge plates on side frame, secure with three (3) 1/4" x 1" self-tapping Torx. Pilot holes are not required. Bracing may be required until all frames are mounted.

Secure With  
1/4" x 1"  
Self-Tapping Torx  
Typ. 3

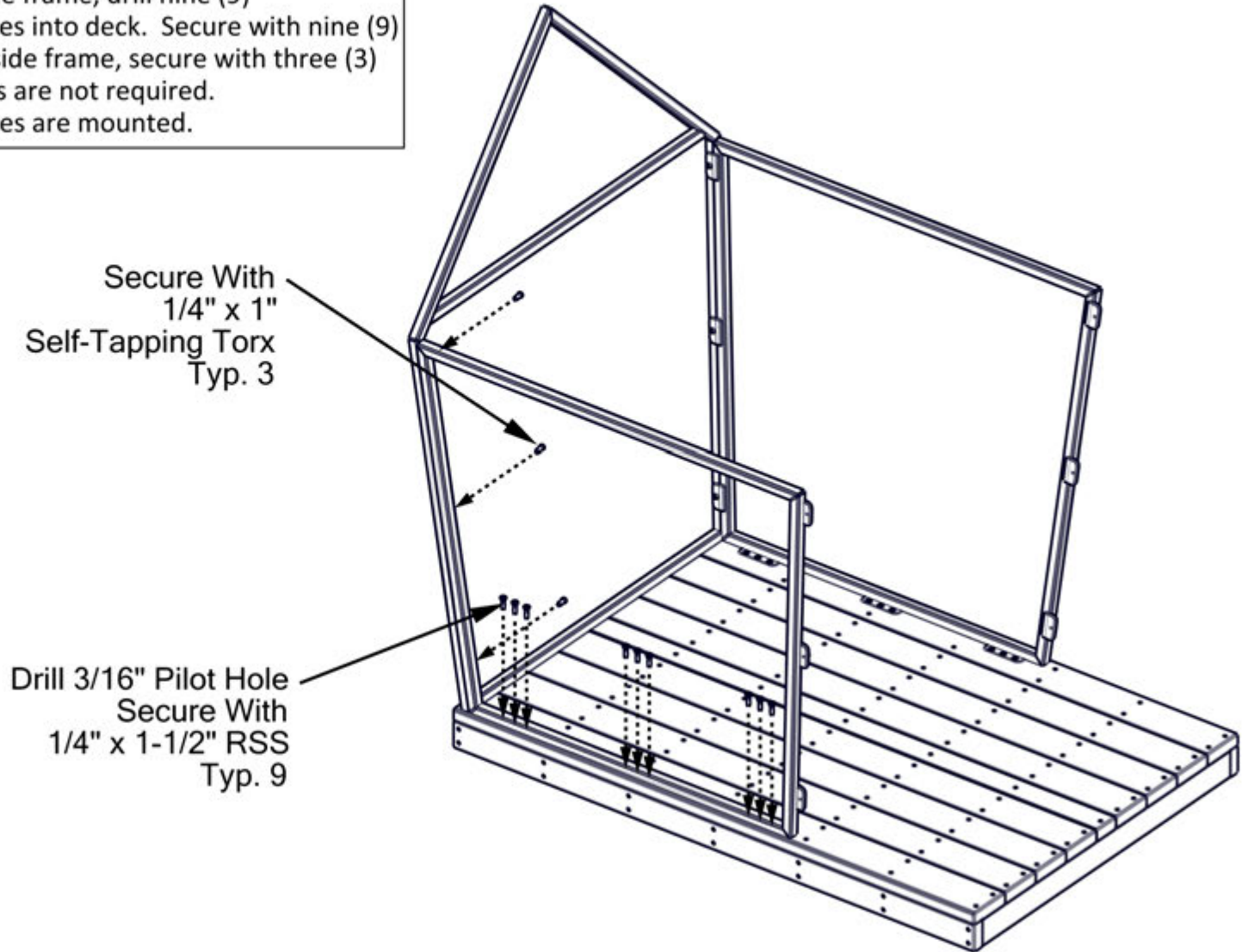
Drill 3/16" Pilot Hole  
Secure With  
1/4" x 1-1/2" RSS  
Typ. 9

Detail 2-1



**STEP 3**

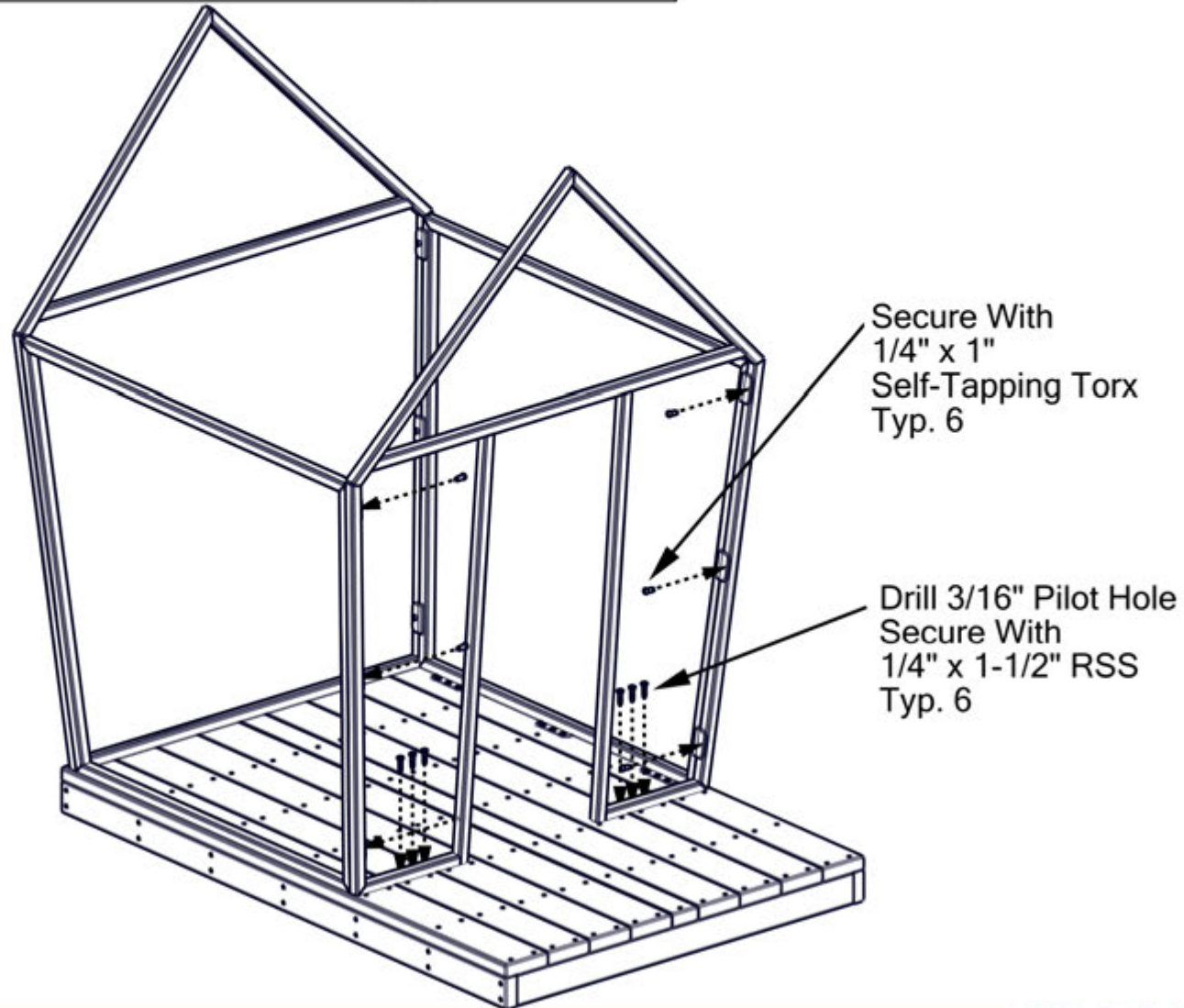
Secure side frame to rear frame. Place side frame 1/2" from side edge of deck. At bottom plates on side frame, drill nine (9) 3/16" pilot holes through bottom plates into deck. Secure with nine (9) 1/4" x 1-1/2" RSS. At edge plates on side frame, secure with three (3) 1/4" x 1" self-tapping Torx. Pilot holes are not required. Bracing may be required until all frames are mounted.





**STEP 4**

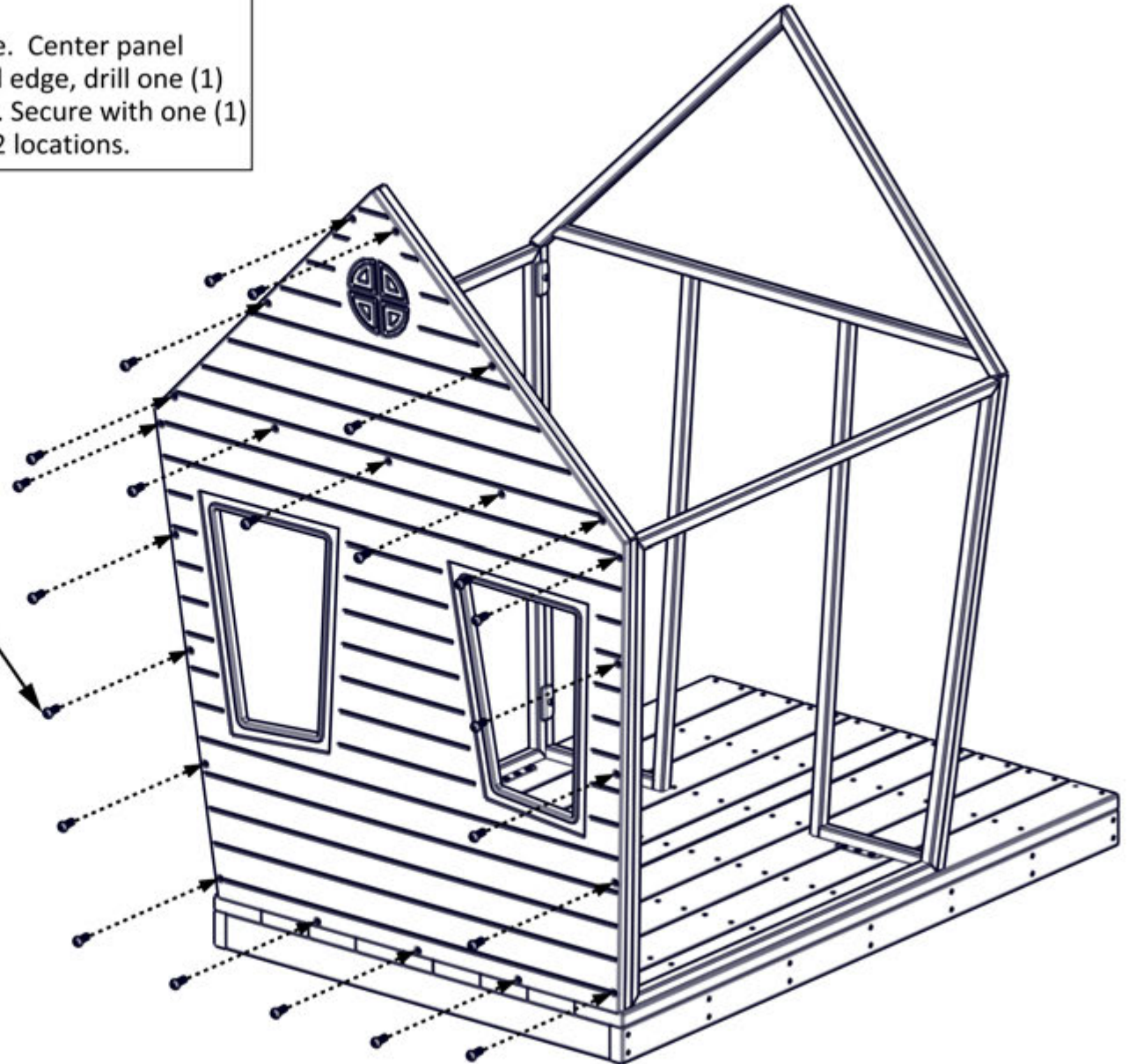
Secure front frame to side frames. Place front frame between side frames. At edge plates on side frames, secure with six (6) 1/4" x 1" self-tapping Torx. Pilot holes are not required. At edge plates on bottom of front frame, drill six (6) 3/16" pilot holes through plates and into deck. Secure with six (6) 1/4" x 1-1/2" RSS.



#### STEP 5

Mount rear panel. Set panel flush on deck edge. Center panel on rear frame. At each pre-drilled hole in panel edge, drill one (1) 21/64" pilot hole through panel and into frame. Secure with one (1) 3/8" x 1-1/4" self-tapping security Torx. Typ. 22 locations.

Drill 21/64" Pilot Hole  
Secure With  
3/8" x 1-1/4" Self-Tapping  
Security Torx  
Typ. 22

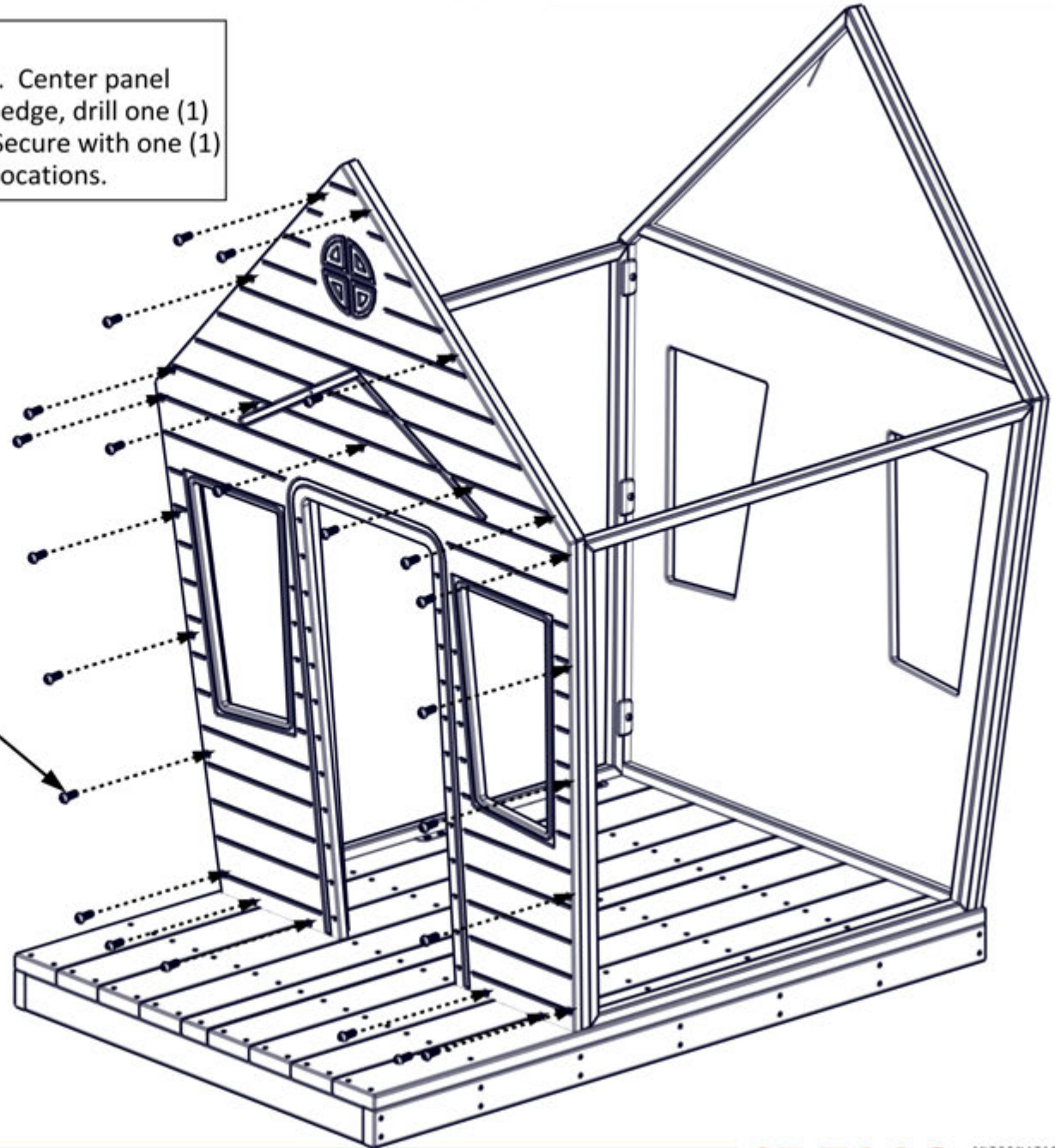




**STEP 6**

Mount front panel. Set panel flush on deck edge. Center panel on front frame. At each pre-drilled hole in panel edge, drill one (1) 21/64" pilot hole through panel and into frame. Secure with one (1) 3/8" x 1-1/4" self-tapping security Torx. Typ. 23 locations.

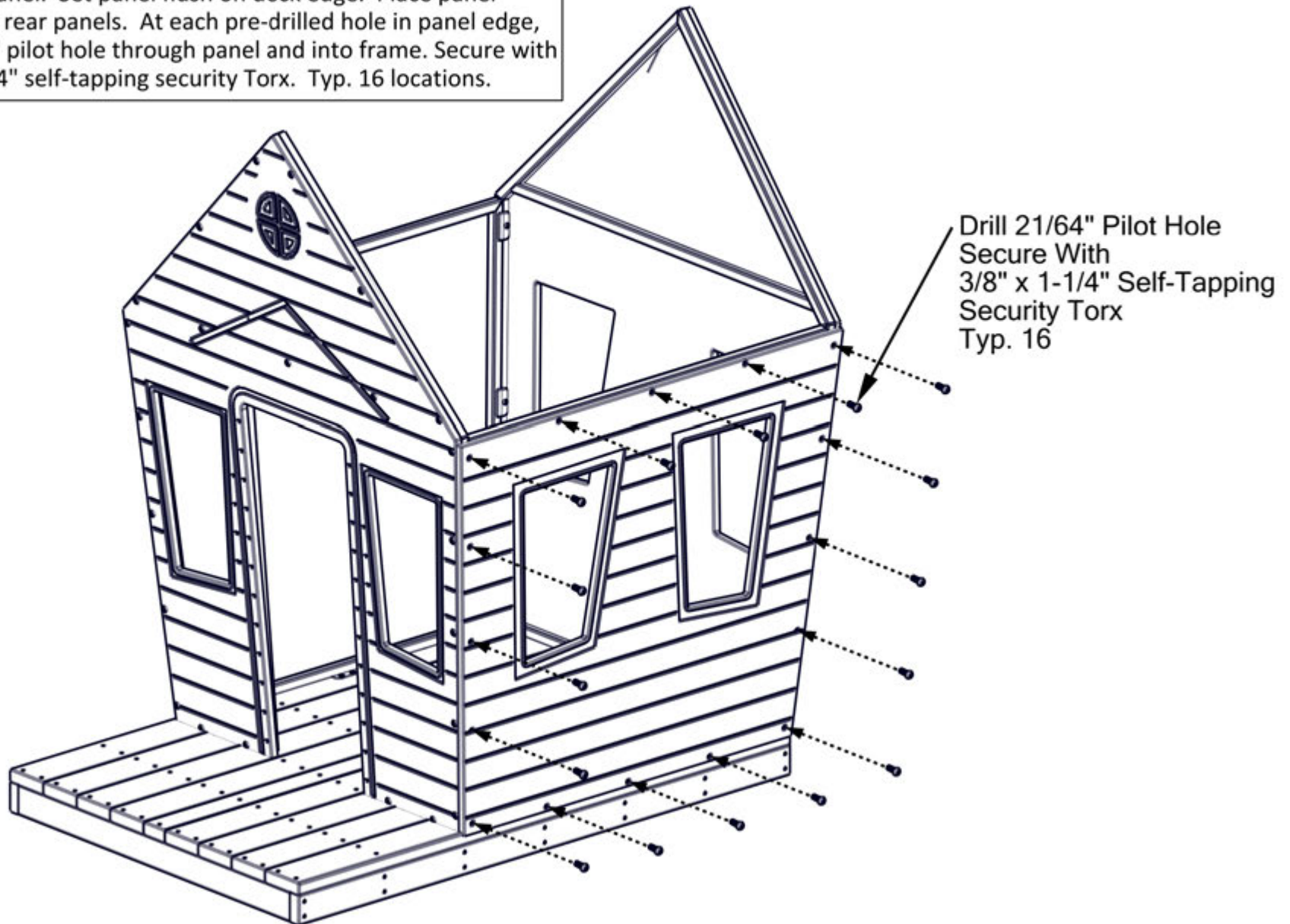
Drill 21/64" Pilot Hole  
Secure With  
3/8" x 1-1/4" Self-Tapping  
Security Torx  
Typ. 23





**STEP 7**

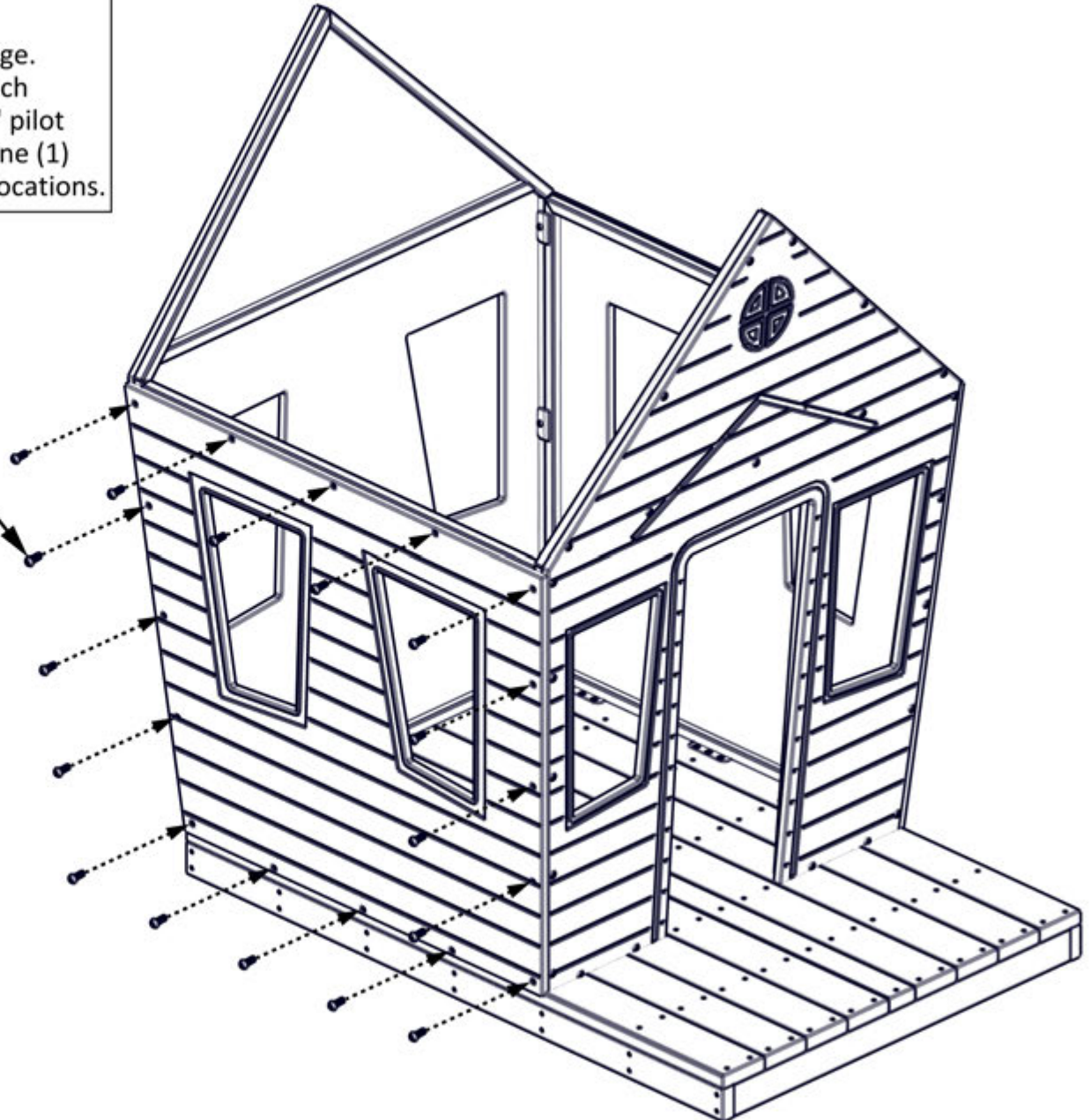
Mount right side panel. Set panel flush on deck edge. Place panel between front and rear panels. At each pre-drilled hole in panel edge, drill one (1) 21/64" pilot hole through panel and into frame. Secure with one (1) 3/8" x 1-1/4" self-tapping security Torx. Typ. 16 locations.



**STEP 8**

Mount left side panel. Set panel flush on deck edge. Place panel between front and rear panels. At each pre-drilled hole in panel edge, drill one (1) 21/64" pilot hole through panel and into frame. Secure with one (1) 3/8" x 1-1/4" self-tapping security Torx. Typ. 16 locations.

Drill 21/64" Pilot Hole  
Secure With  
3/8" x 1-1/4" Self-Tapping  
Security Torx  
Typ. 16

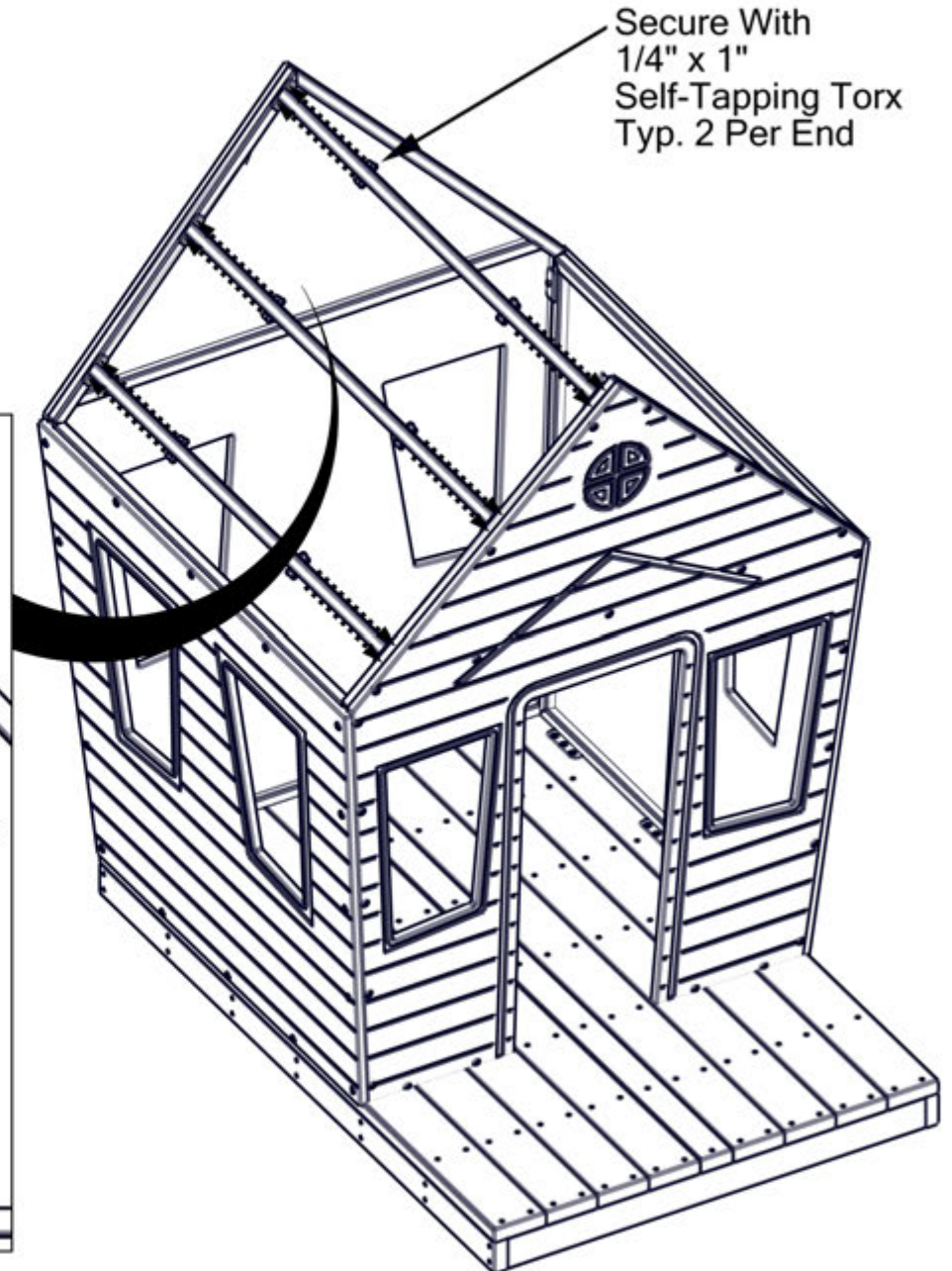
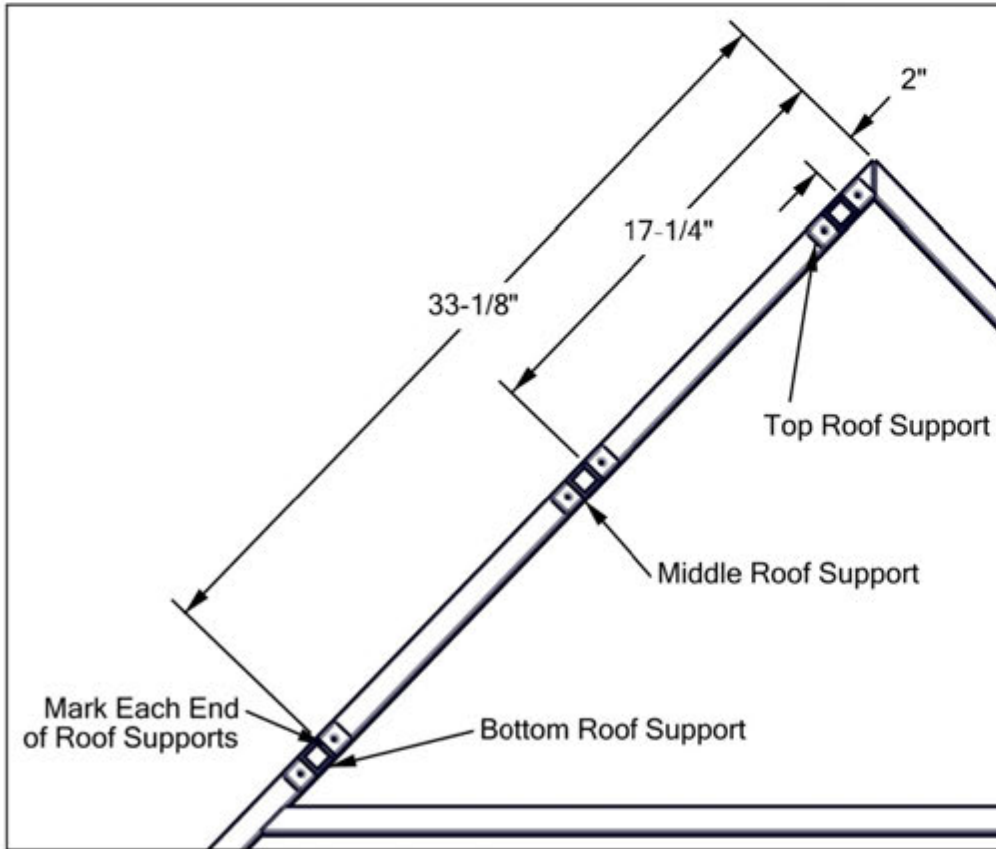




**STEP 9**

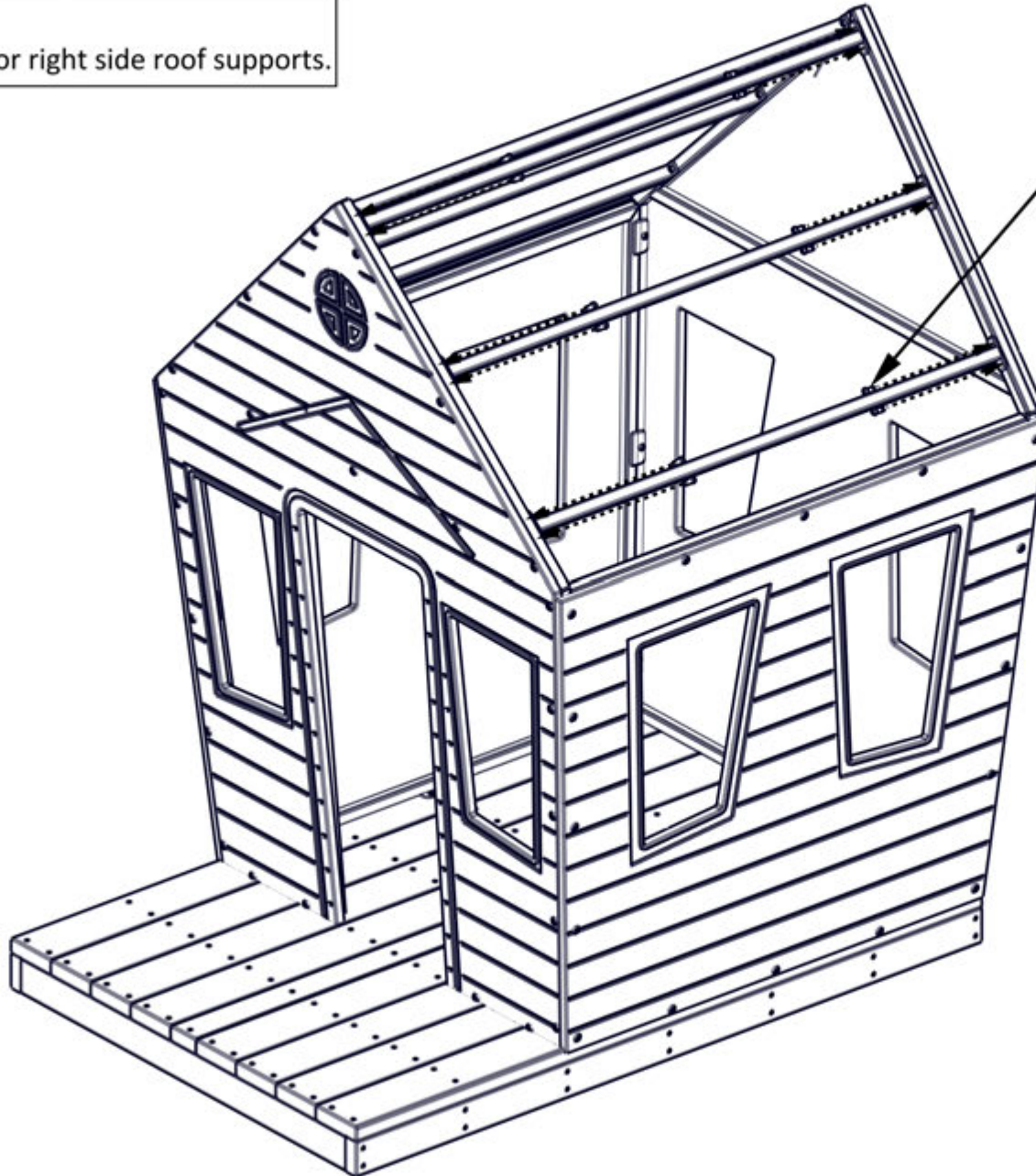
Mount left side roof supports. Roof supports are three lengths. Measure from ridge of front and rear frames to bar of each roof support and mark positions. See Detail 9-1. Secure each end of roof supports with two (2) 1/4" x 1" self-tapping Torx. Repeat for opposite ends of roof supports.

Detail 9-1



#### STEP 10

Repeat STEP 9 for right side roof supports.



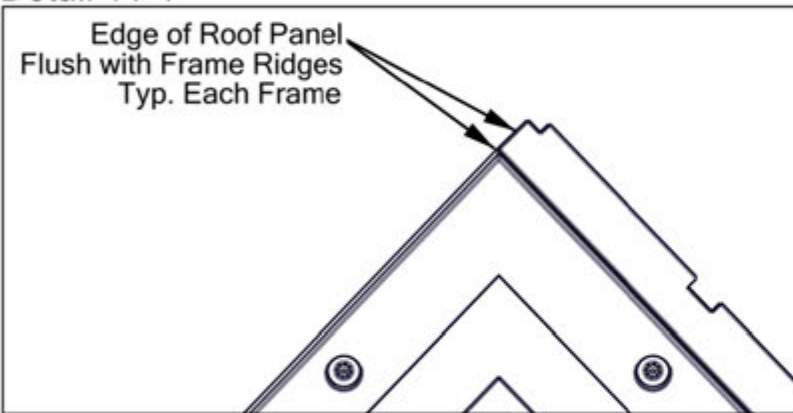
Secure With  
1/4" x 1"  
Self-Tapping Torx  
Typ. 2 Per End



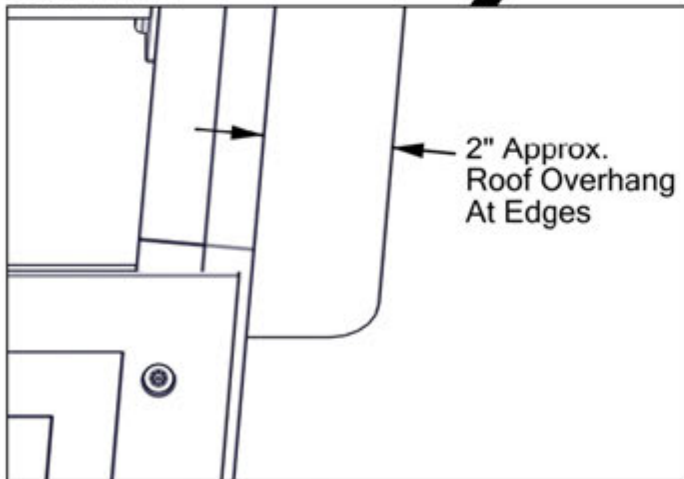
**STEP 11**

Mount right roof panel. Top edge of roof panel should be flush with frame ridges. See Detail 11-1. Center roof edges on front and rear frames. See Detail 11-2. Align countersunk holes in roof panel with roof support bars. At each countersunk hole, secure roof panel to roof supports with 1/4" x 1" self-tapping Torx. Typ. 12 locations.

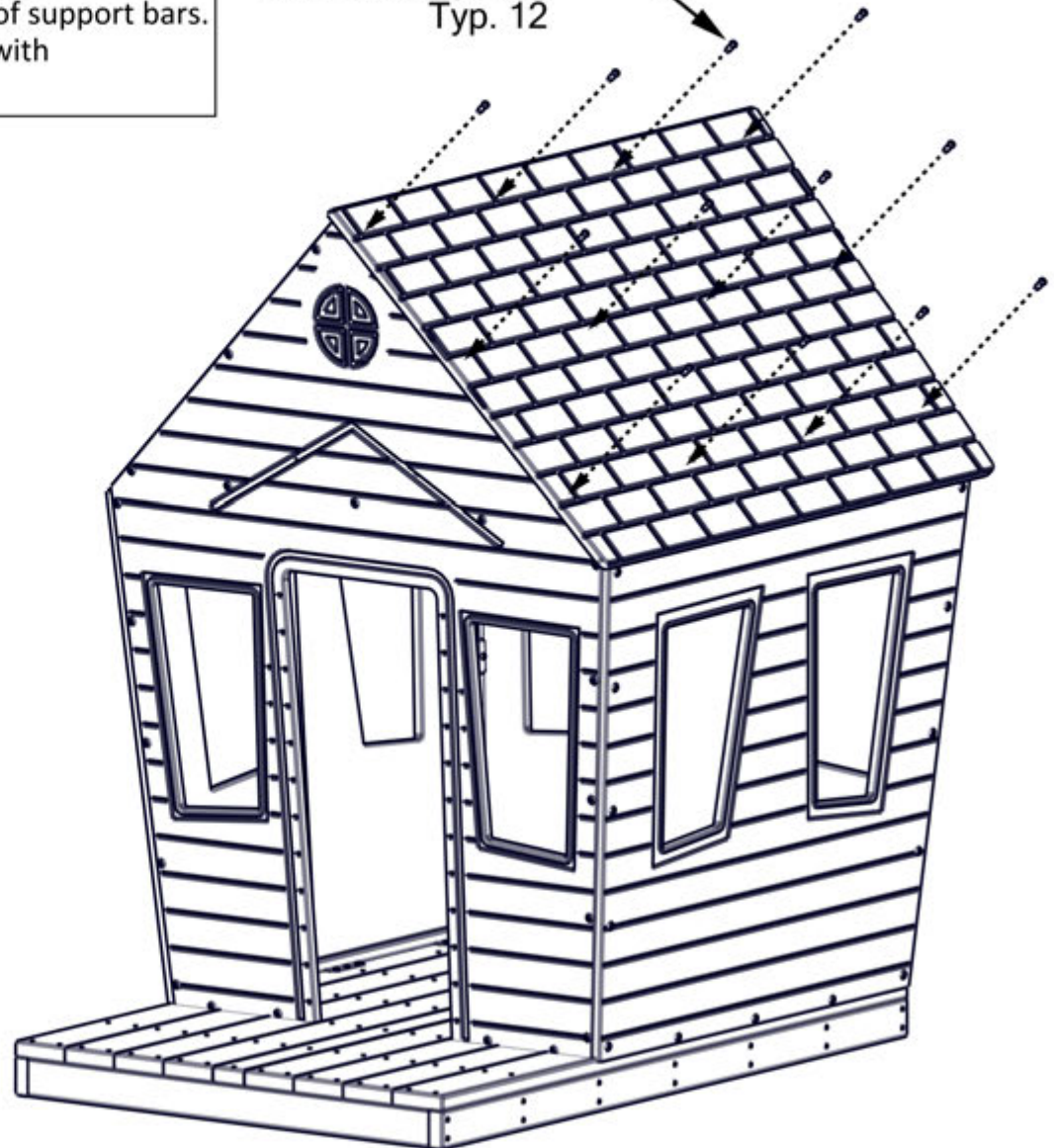
**Detail 11-1**



**Detail 11-2**

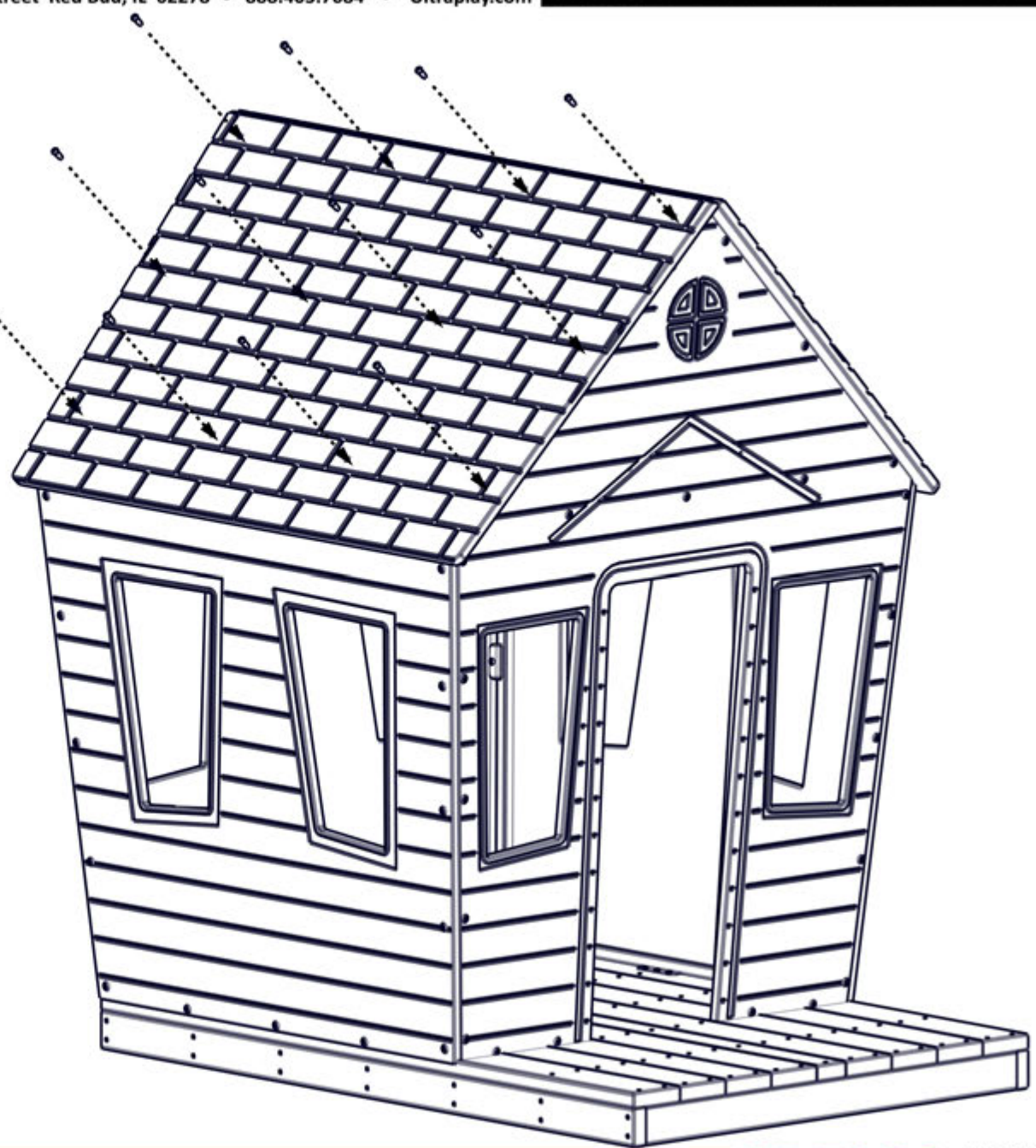


Secure With  
1/4" x 1"  
Self-Tapping Torx  
Typ. 12



STEP 12  
Repeat STEP 11 for left roof panel.

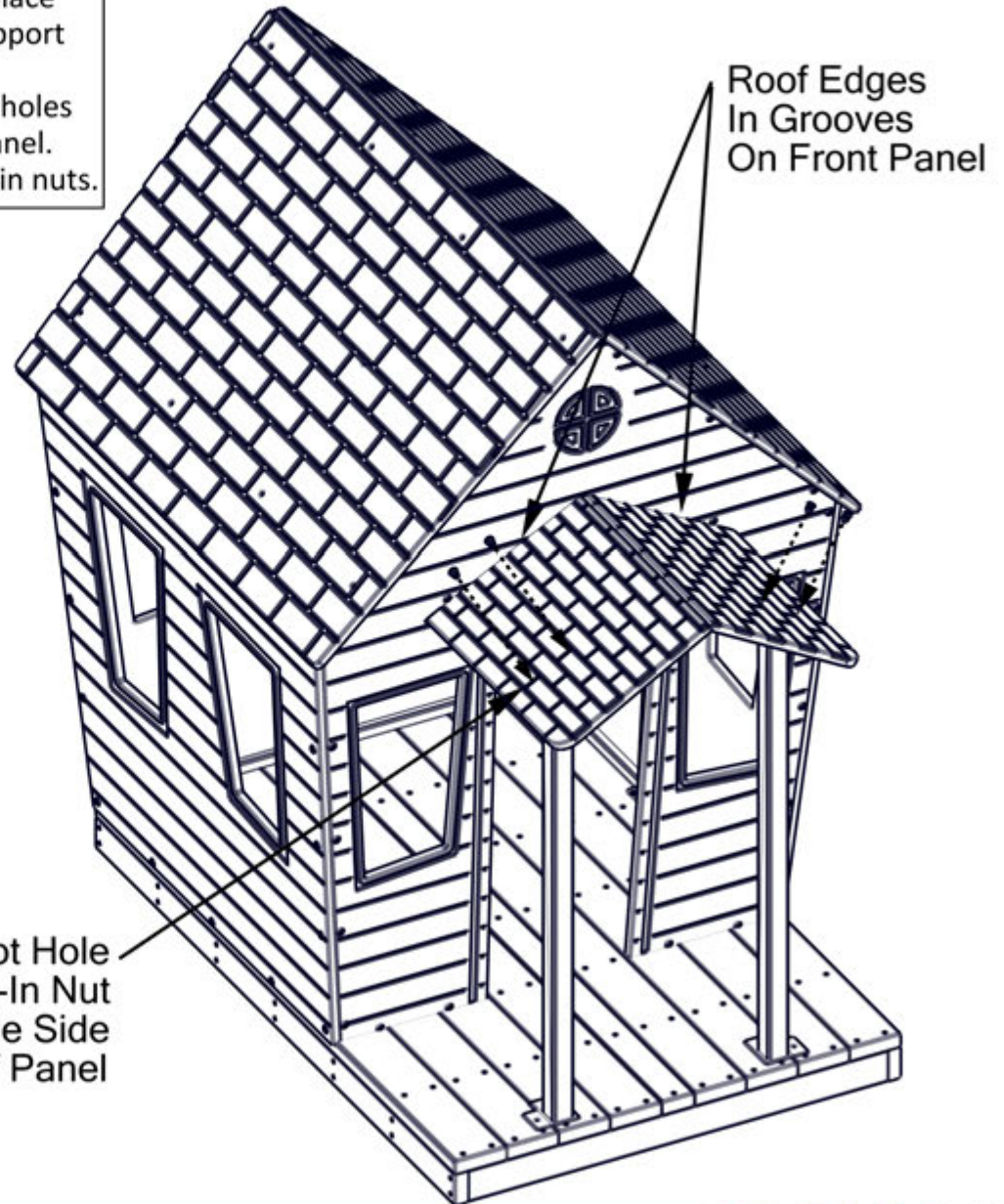
Secure With  
1/4" x 1"  
Self-Tapping Torx  
Typ. 12





**STEP 13**

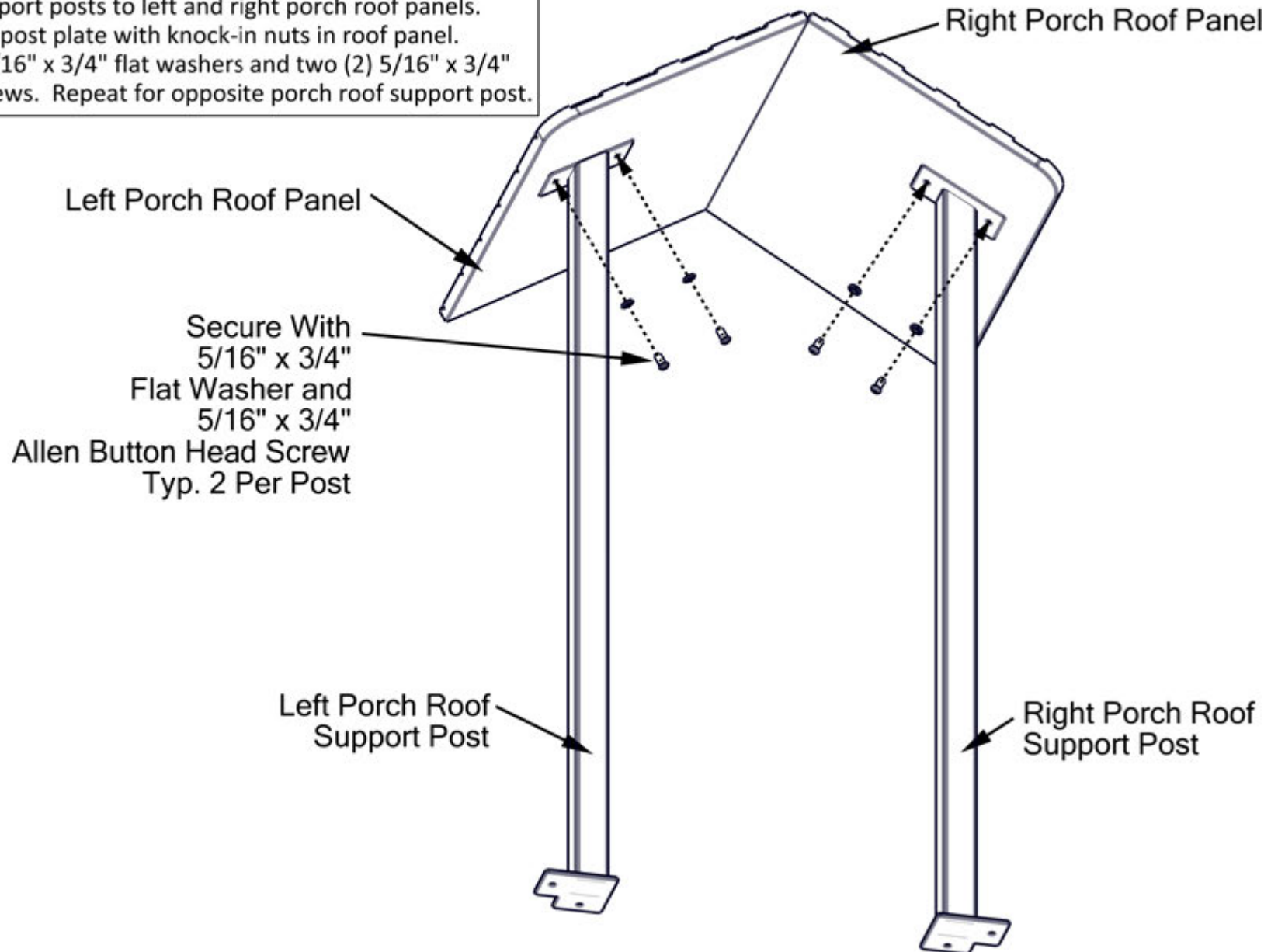
Secure knock-in nuts into porch roof panels. Temporarily place porch roof panels into slots on front panel. Place porch support posts 1" from front edge of deck. Ensure posts are plumb. At the top end of each support post, drill two (2) 1/4" pilot holes through top end of support post and through porch roof panel. From shingle side of roof panel, insert two (2) 5/16" knock-in nuts.



Drill 1/4" Pilot Hole  
Insert 5/16" Knock-In Nut  
From Shingle Side  
Typ. 2 Per Porch Roof Panel

#### STEP 14

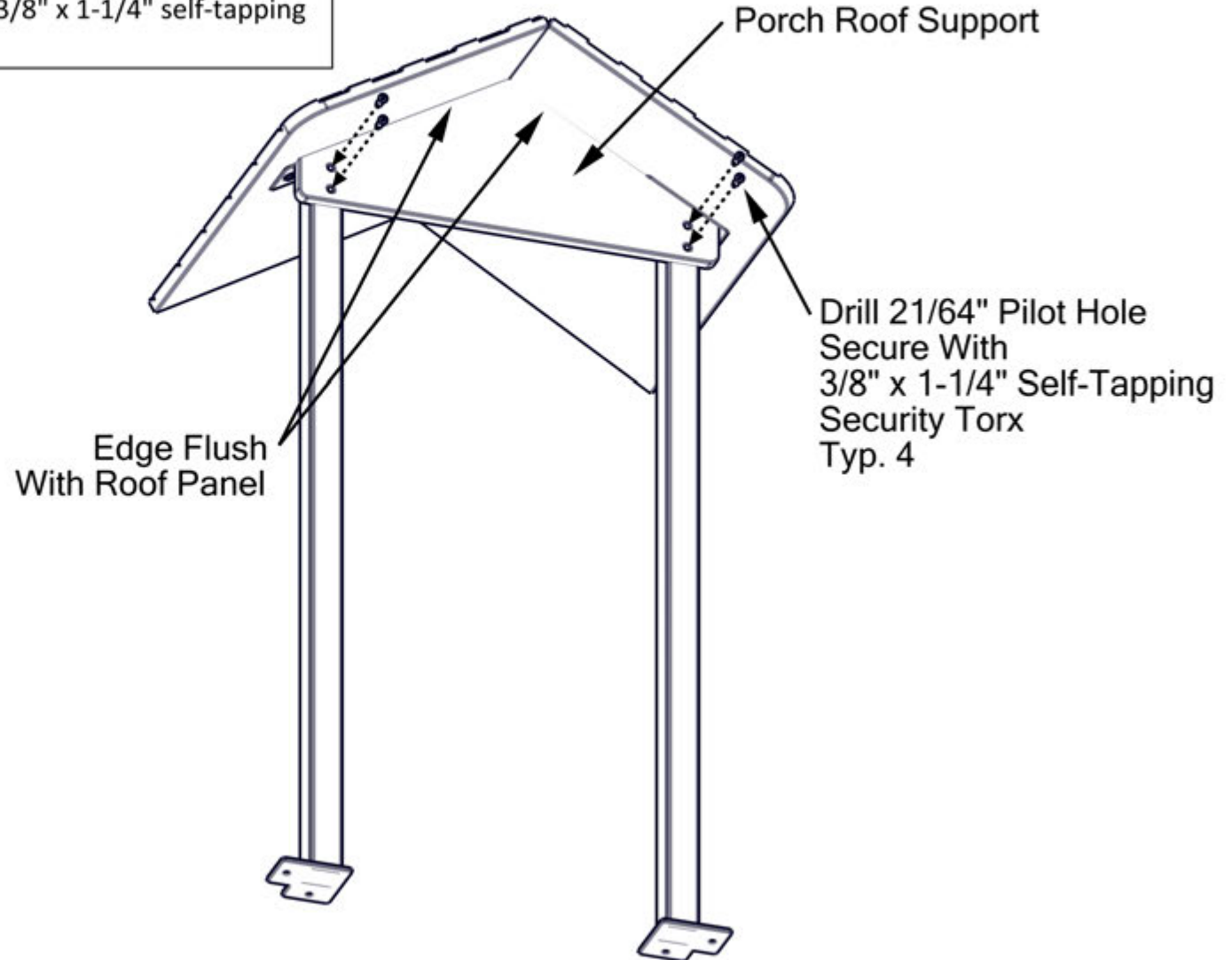
Mount porch roof support posts to left and right porch roof panels. Align holes in support post plate with knock-in nuts in roof panel. Secure with two (2) 5/16" x 3/4" flat washers and two (2) 5/16" x 3/4" Allen button head screws. Repeat for opposite porch roof support post.





**STEP 15**

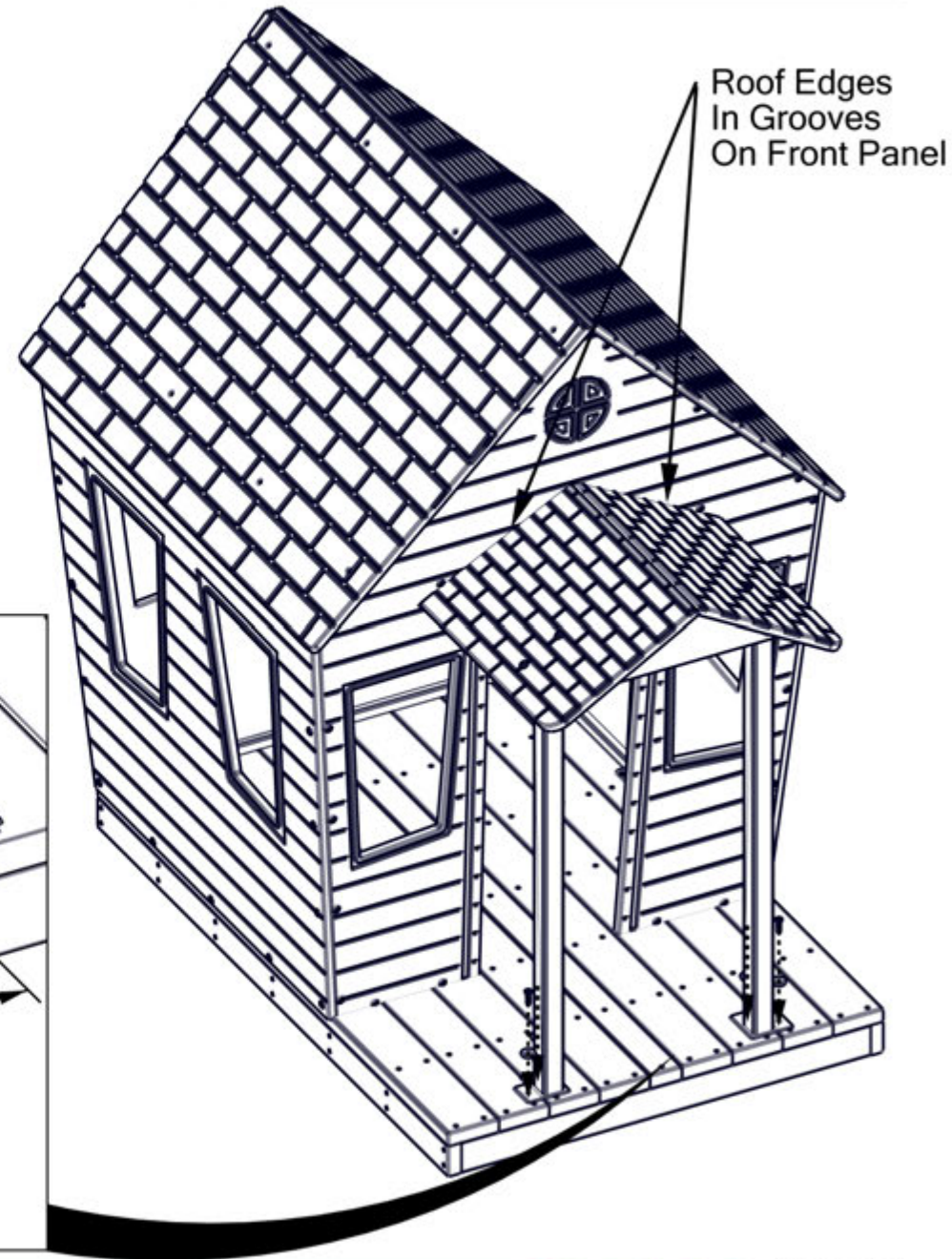
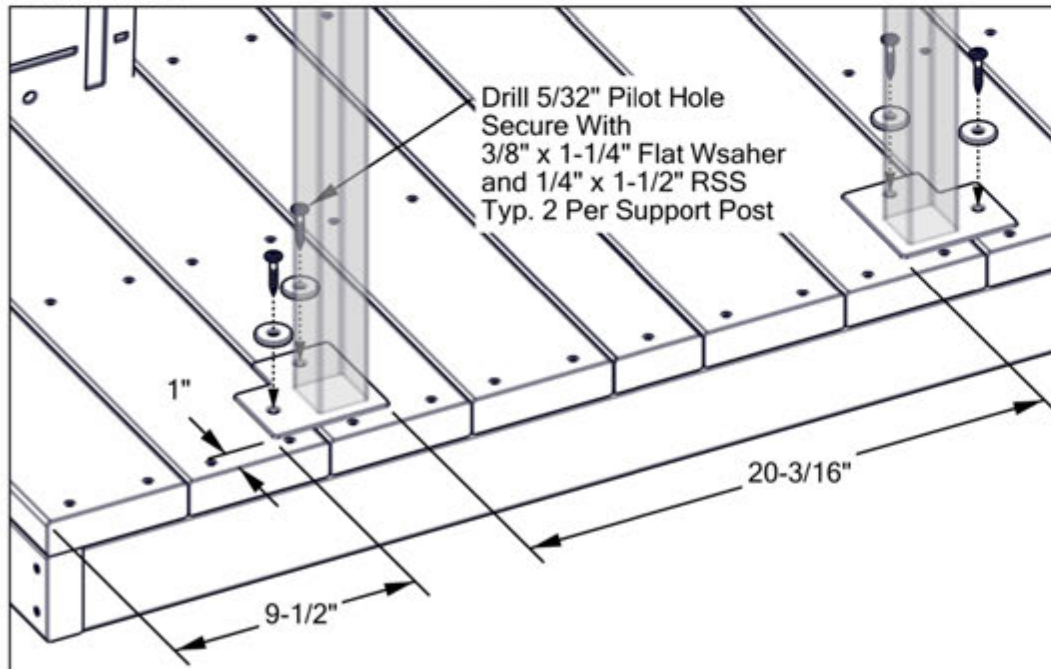
Mount porch roof support. Ensure top edge of roof support is flush against roof panels. Ensure pre-drilled holes in roof support are centered on support posts. At each pre-drilled hole in panel edge, drill one (1) 21/64" pilot hole through panel and into frame. Secure with one (1) 3/8" x 1-1/4" self-tapping security Torx.



#### STEP 16

Secure porch assembly to deck. Place porch assembly around front panel door. Place rear edges of porch roof into grooves on front panel. Place feet of support posts 1" from edge of deck. Ensure support posts are plumb. Drill two (2) 5/32" holes through support post foot into deck. Secure with two (2) 3/8" x 1-1/4" flat washers and two (2) 1/4" x 1-1/2" RSS. See Detail 16-1. Repeat for opposite support post.

Detail 16-1

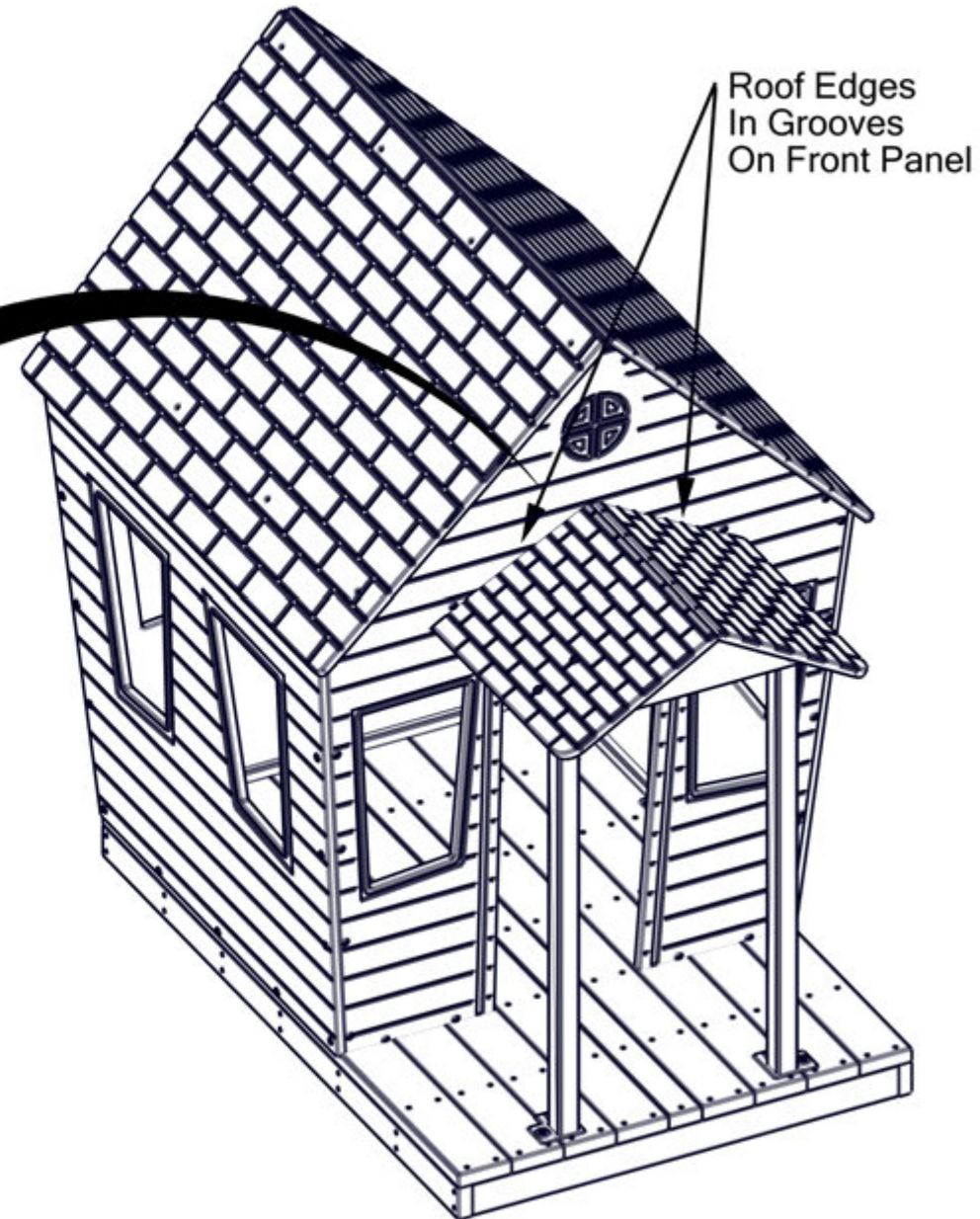
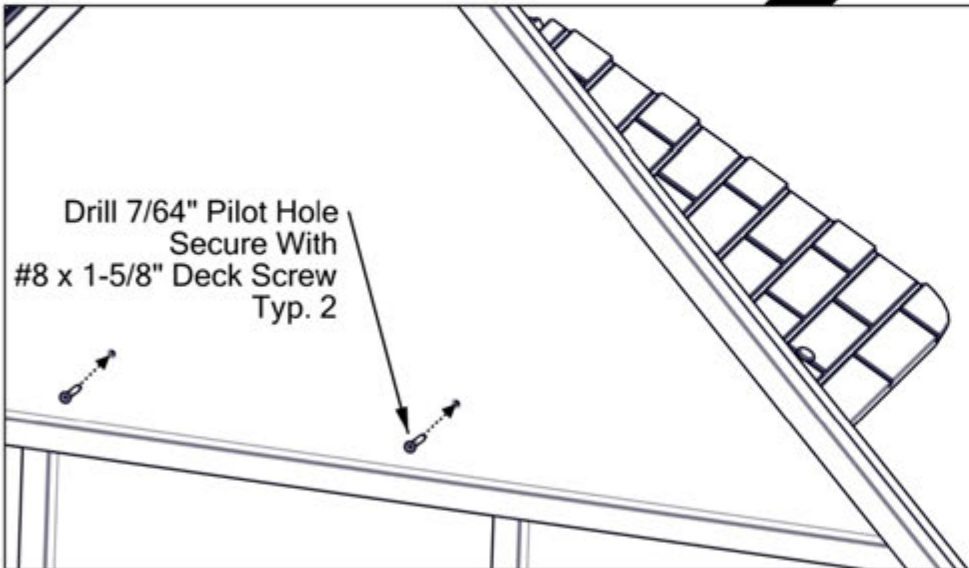




#### STEP 17

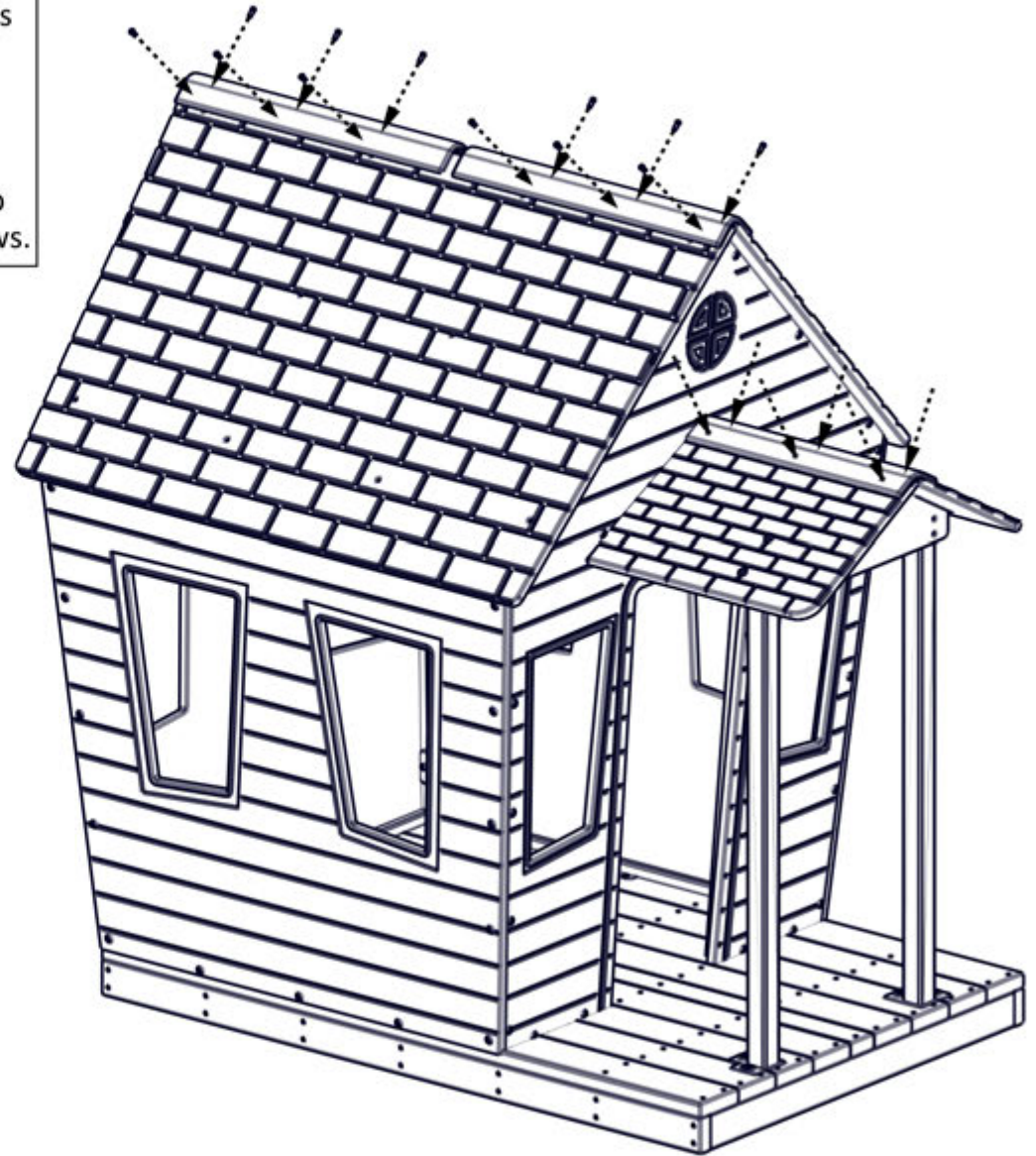
Secure porch roof edge to front panel. From inside house, drill two (2) 7/64" pilot holes through pre-drilled holes in front panel into edge of roof panels. Secure with two (2) #8 x 1-5/8" deck screws. See Detail 17-1.

#### Detail 17-1



**STEP 18**

Mount roof and porch ridge caps. Place two (2) 32" ridge caps on main roof. Ends of ridge caps should be flush with gable ends of roof. At 1-1/4" from edge of ridge cap, drill six (6) 3/32" pilot holes through ridge cap and into roof panel. Secure with six (6) #6 x 1" deck screws. Repeat for other ridge cap. Place one (1) 25-1/2" ridge cap on porch roof. At 1-1/4" from edge of ridge cap, drill six (6) 3/32" pilot holes through ridge cap and into porch roof panel. Secure with six (6) #6 x 1" deck screws.

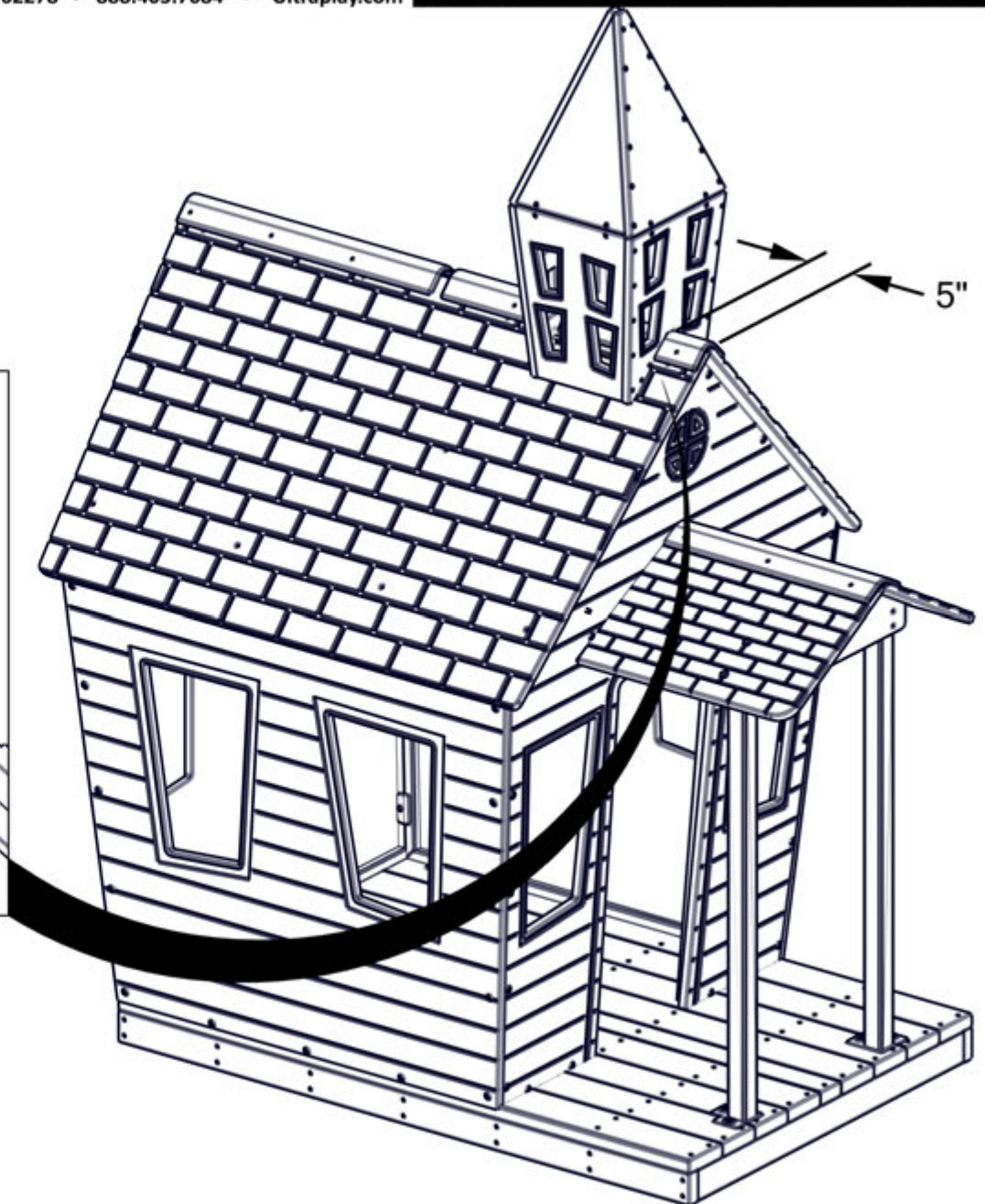
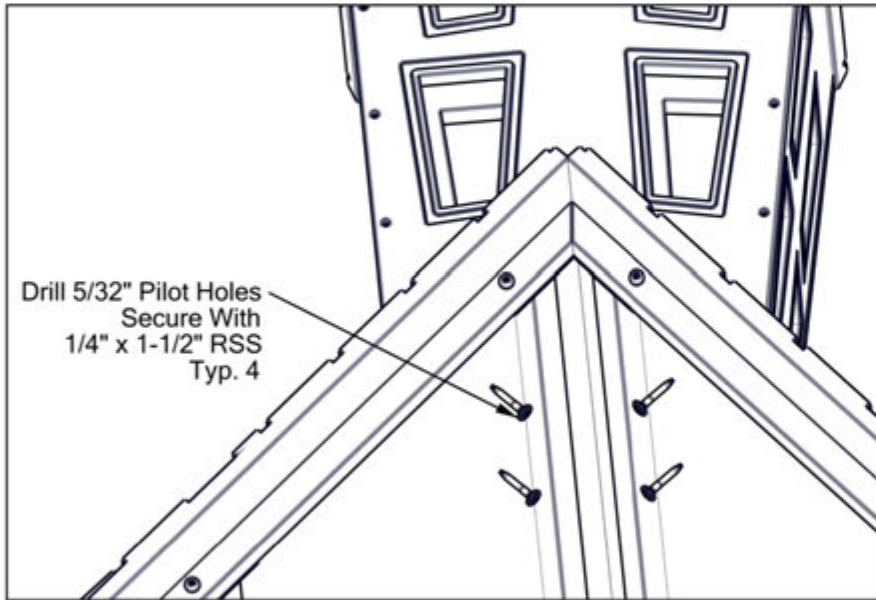




#### STEP 19

Mount steeple to roof panels. Place steeple assembly 5" from gable end of roof. From inside house, drill four (4) 5/32" pilot holes through roof panels into steeple Trex base. Secure with four (4) 1/4" x 1-1/2" RSS. See Detail 19-1.

Detail 19-1



**STEP 20**

Mount roof ridge caps. Place one (1) 32" ridge cap onto main roof. End of ridge cap should be flush with side of steeple. At 1-1/4" from edge of ridge cap, drill eight (8) 3/32" pilot holes through ridge cap and into bottom ridge caps. Secure with eight (8) #6 x 1" deck screws.

Drill 3/32" Pilot Hole  
Secure with  
#6 x 1" Deck Screw  
Typ. 8



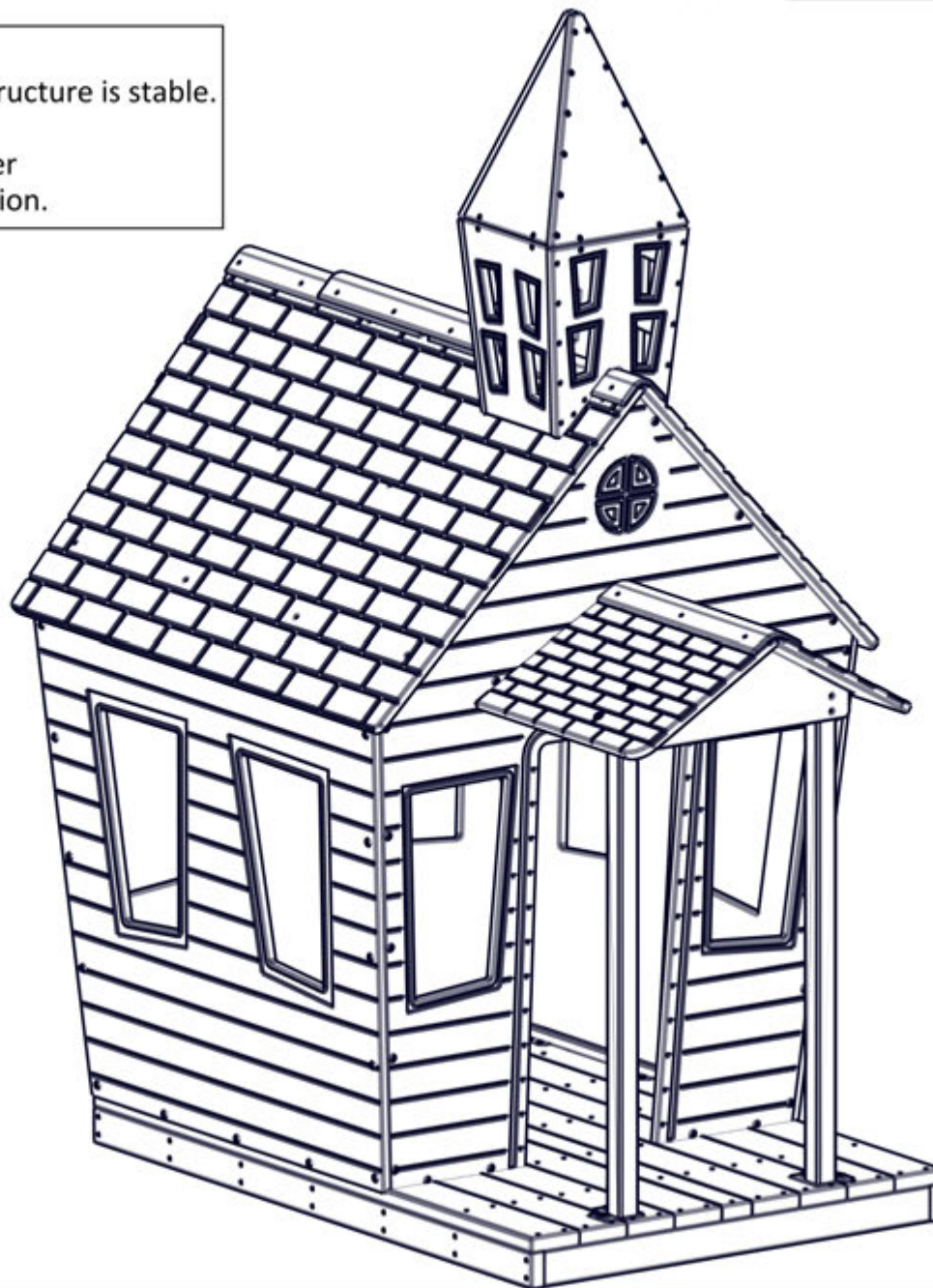


**STEP 21**

Check all connections and ensure structure is stable.

Installation is complete.

Place one (1) Age Appropriate Sticker  
on structure in a clearly visible location.



Page Intentionally Left Blank