



All Pro®

60" Bath

61041120

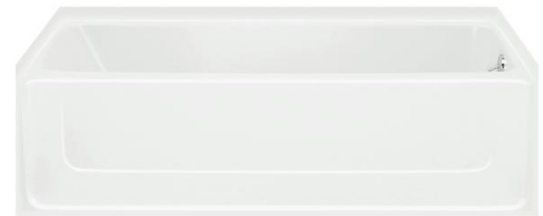


Features

- Durable swirl gloss finish.
- Backrest molded into bath.
- 15" (381) bath depth (floor to top of threshold).
- 60" (1524 mm) x 30" (762 mm) x 15" (381 mm) finished dimensions.

Material

- Compression molded from our exclusive solid Vikrell® material.



ADA

Codes/Standards

CSA B45.5/IAPMO Z124

ASTM E162

ASTM E662

Greenguard UL 2818 - Gold

ADA

ICC/ANSI A117.1

HUD, UM Bulletin 73



STERLING® Warranty - Fixtures Made of Solid Vikrell Material

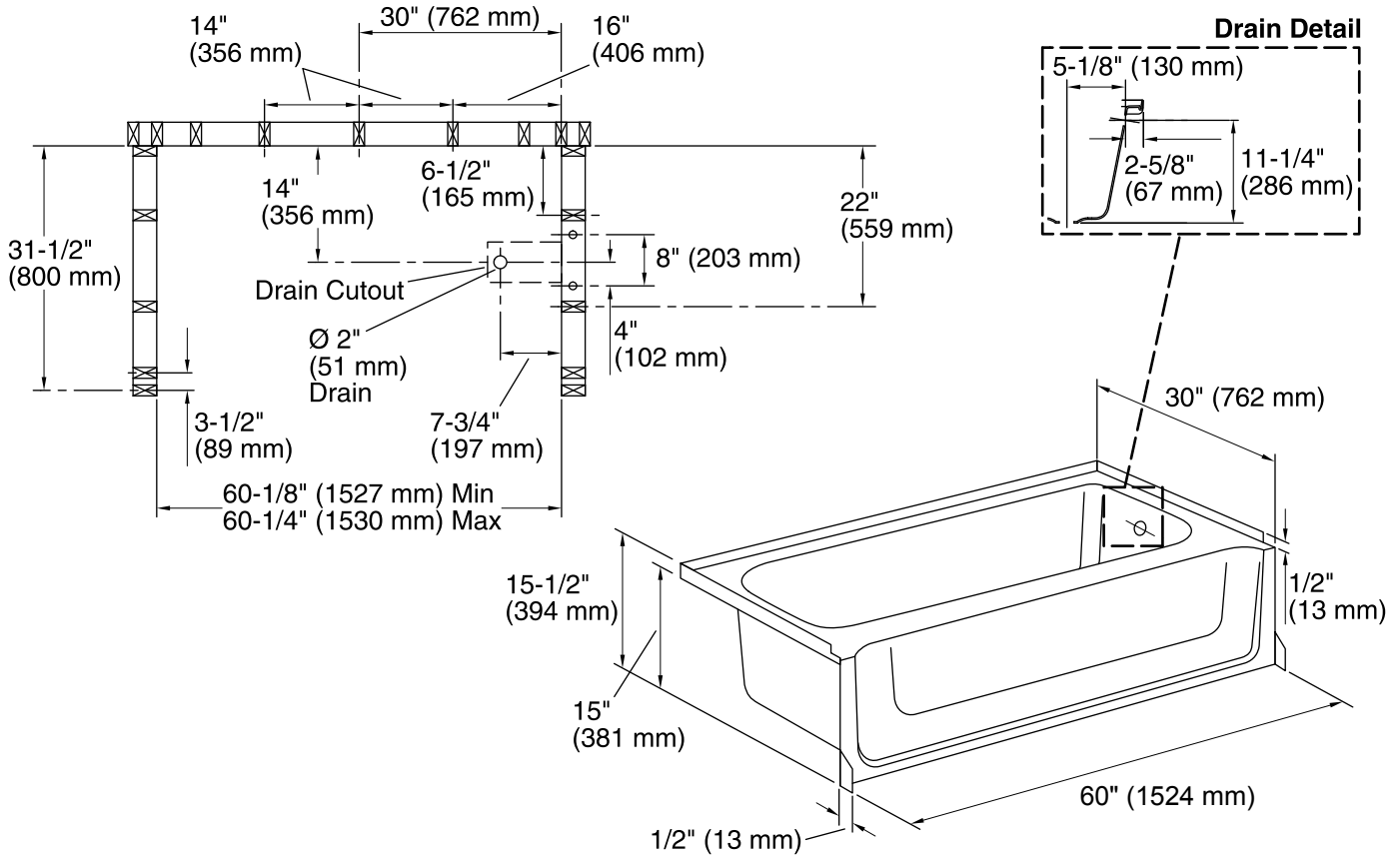
See website for detailed warranty information.

Available Color/Finishes

Color tiles intended for reference only.

Color	Code	Description
-------	------	-------------

- | | | |
|--|----|---------|
|  | 0 | White |
|  | 96 | Biscuit |



Technical Information

All product dimensions are nominal.

Installation:	3-Wall Alcove
Drain location:	Right
Basin area, bottom:	48" x 21" (1219 mm x 533 mm)
Basin area, top:	55" x 23" (1397 mm x 584 mm)
Weight:	51.835 lbs (23.5 kg)
Water depth:	9-3/8" (238 mm)
Water capacity:	44 gal (166.6 L)
Door height required:	57" (1448 mm)
Door width required:	57-1/2" (1461 mm)

Notes

Measure your actual product for roughing-in details.

Install this product according to the installation guide.

Studs should be positioned roughly as shown.

Double studding is recommended for pivot shower door installations.

ADA compliant when installed to the specific requirements of these regulations.