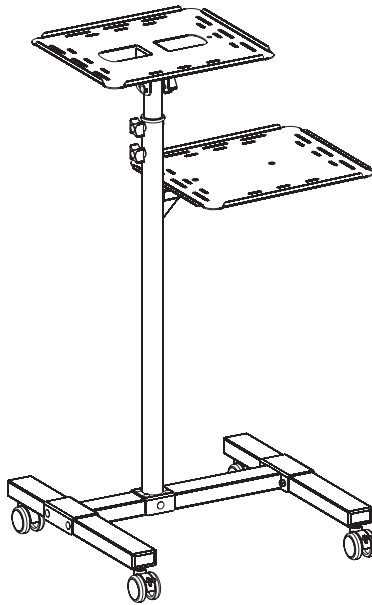




Black 14" Mobile Projector and Laptop Cart

Instruction Manual



SKU: CART-V04C



Scan the QR code with your mobile device or follow the link for helpful videos and specifications related to this product.

<https://vivo-us.com/products/cart-v04c>

GET IN TOUCH | Monday-Friday from 7:00am-7:00pm CST



help@vivo-us.com



www.vivo-us.com
Chat live with an agent!



309-278-5303

WARNING!

If you do not understand these directions, or if you have any doubts about the safety of the installation, please call a qualified technician. Check carefully to make sure there are no missing or defective parts. Improper installation may cause damage or serious injury. Do not use this product for any purpose that is not explicitly specified in this manual. Do not exceed weight capacity. We cannot be liable for damage or injury caused by improper mounting, incorrect assembly or inappropriate use.

TIPOVER WARNING

SERIOUS OR FATAL CRUSHING INJURIES CAN OCCUR FROM TIPOVER. TO HELP PREVENT TIPOVER:

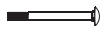
- NEVER ALLOW CHILDREN TO CLIMB, STAND, HANG, OR PLAY ON ANY PART OF CART.
- USE TIPOVER RESTRAINT OR ANCHOR CART TO WALL

USE OF TIPOVER RESTRAINTS MAY ONLY REDUCE, BUT NOT ELIMINATE RISK OF TIPOVER.

WARNING: CHOKING HAZARD

SMALL PARTS - NOT FOR CHILDREN UNDER 3 YEARS. ADULT SUPERVISION IS REQUIRED.

PACKAGE CONTENTS



A1 (x5)
M6x65



A2 (x9)
Washer



A3 (x8)
Nut



A4 (x4)
M6x12



A5 (x2)
M6x30



A6 (x3)
M6x50



A7 (x1)
Washer



A8 (x1)
M6x50



A9 (x1)
Wrench



A10 (x1)
Allen Key



G1 (x2)
Caster



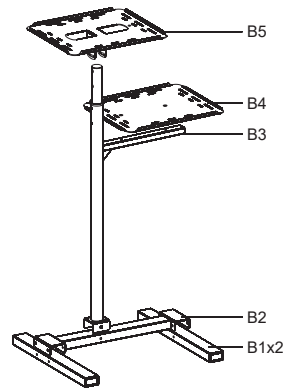
G2 (x2)
Locking Caster



G3 (x3)
Knob



G4 (x2)
Plate



B1 (x2)
Feet

B2 (x1)
Base

B3 (x1)
Center Pole

B4 (x1)
Lower Shelf

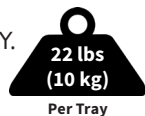
B5 (x1)
Top Shelf

NOTE: NOT ALL HARDWARE INCLUDED WILL BE USED

TOOLS NEEDED



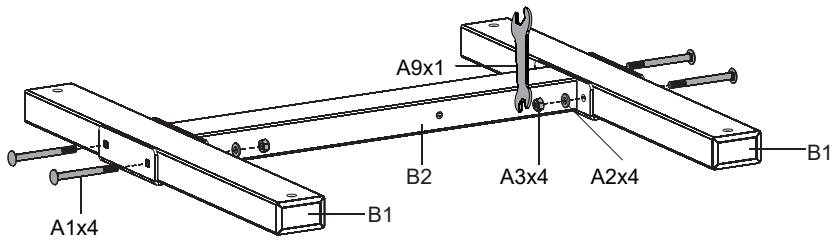
DO NOT EXCEED WEIGHT CAPACITY.
Failure to do so may result in serious injury.



ASSEMBLY STEPS

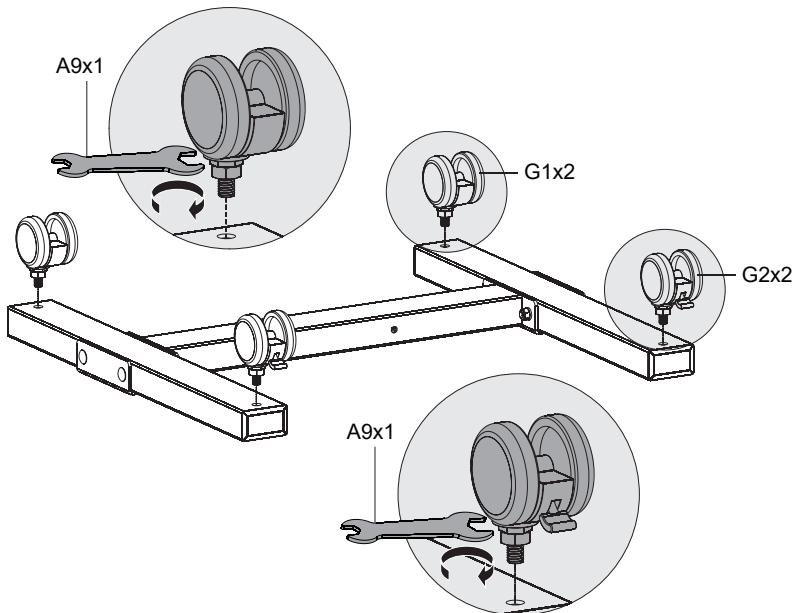
STEP 1

Place the base (**B2**) upside down and attach the feet (**B1**) using four M6x65 bolts (**A1**), four washers (**A2**), and four nuts (**A3**). Tighten using provided wrench (**A9**).



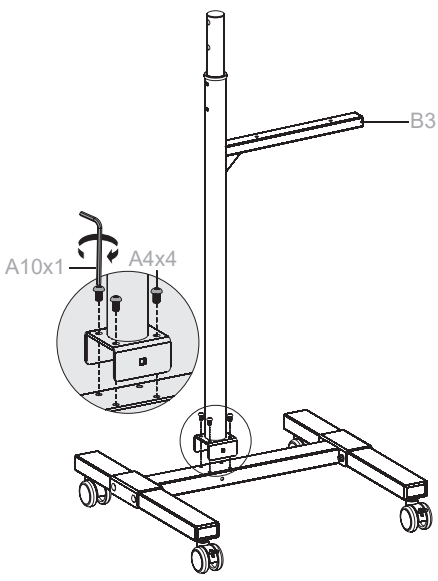
STEP 2

Attach casters (**G1,G2**) to feet (**B1**) using wrench (**A9**) as shown in diagram.



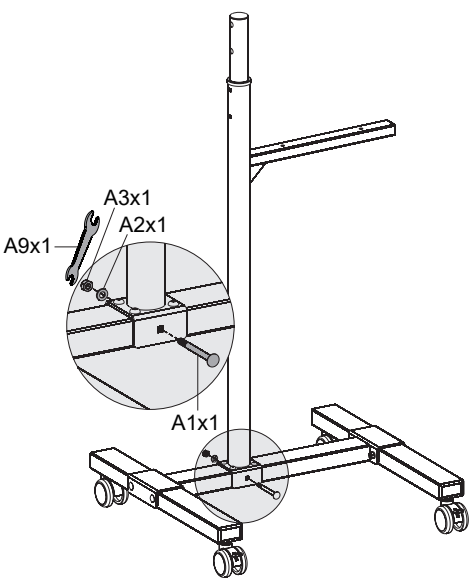
STEP 3

Turn assembly over and attach center pole (B3) using four M6x12 bolts (A4). Tighten using Allen key (A10).



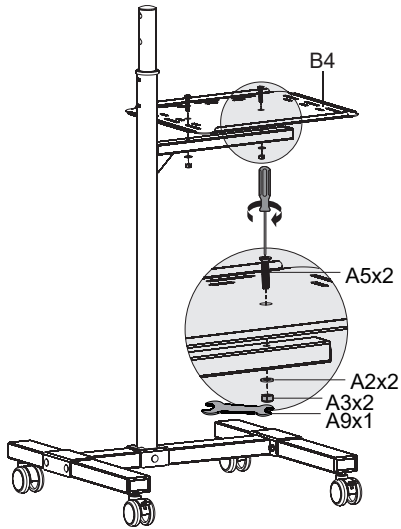
STEP 4

Secure center pole (B3) to base (B2) using one M6x65 bolt (A1), one washer (A2), and one nut (A3). Tighten with wrench (A9).



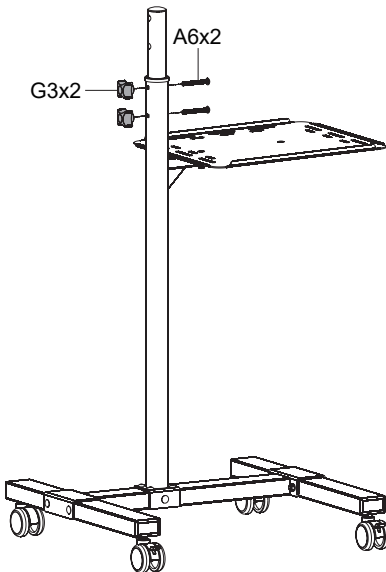
STEP 5

Attach lower shelf (**B4**) using two M6x30 bolts (**A5**), two washers (**A2**), and two nuts (**A3**). Tighten with wrench (**A9**) and Phillips screwdriver (not included).



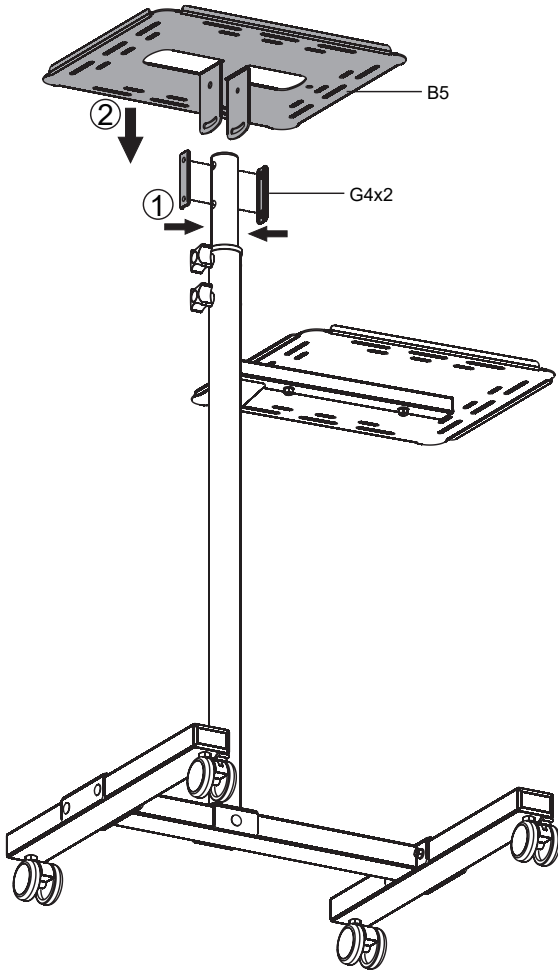
STEP 6

Adjust the height of center pole (**B3**) and secure in place using two M6x50 bolts (**A6**) and two adjustment knobs (**G3**).



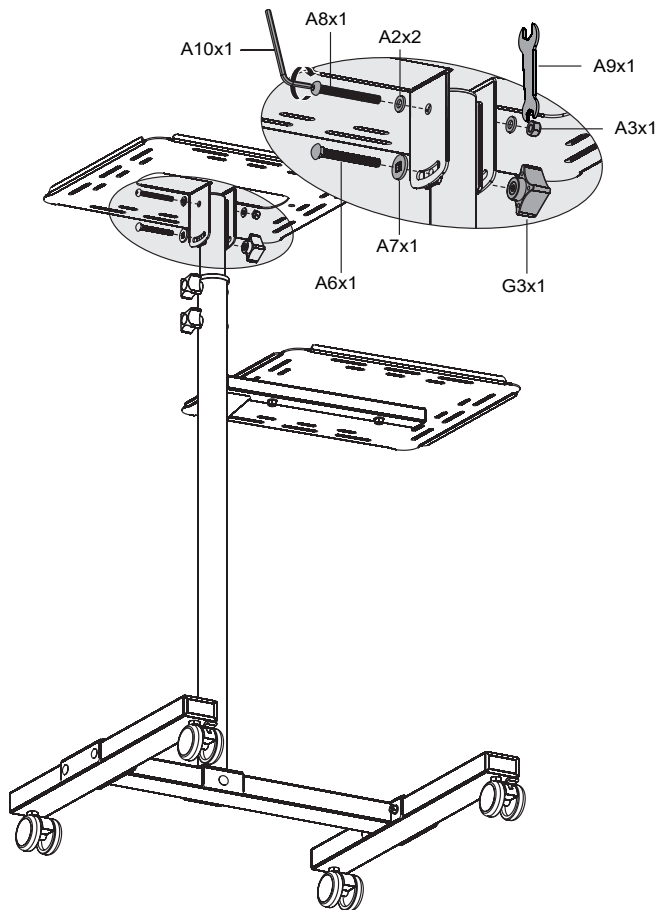
STEP 7

Secure two plates (**G4**) to either side of center pole (**B3**). Place top shelf (**B5**) over assembly.



STEP 8

Attach top shelf (**B5**) using one M6x50 bolt (**A8**), two washers (**A2**), and one nut (**A3**) in the top hole. Use one M6x50 bolt (**A6**), washer (**A7**), and knob (**G3**) in bottom hole.





Open **Monday - Friday 7:00am - 7:00pm CST**, our dedicated support team can offer immediate assistance with rapid response times. If any parts are received damaged or defective, please contact us. We are happy to replace parts to ensure you have a fully functioning product.


 help@vivo-us.com

AVG. RESPONSE TIME (*within office hrs*): **1HR 8M**

- 23% within < 15m
- 38% within < 30m
- 61% within < 1hr
- 83% within < 2hr
- 92% within < 3hr

 www.vivo-us.com
Chat live with an agent!

AVG. RESOLUTION TIME (*within office hrs*): **< 15 M**

 309-278-5303

AVG. RESOLUTION TIME (*within office hrs*): **5M 4S**