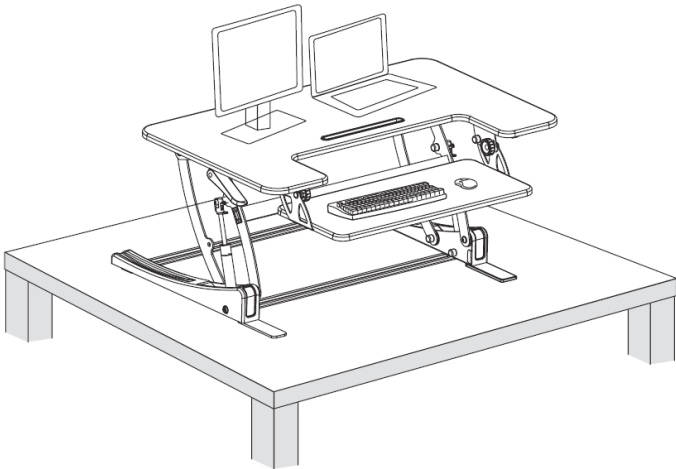




Black 36" Desk Riser

Instruction Manual



SKU: DESK-V000V



Scan the QR code with your mobile device or follow the link for helpful videos and specifications related to this product.

<https://vivo-us.com/products/desk-v000v>



help@vivo-us.com



www.vivo-us.com



309-278-5303

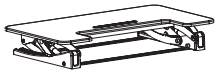
WARNING!

If you do not understand these directions, or if you have any doubts about the safety of the installation, please call a qualified technician. Check carefully to make sure there are no missing or defective parts. Improper installation may cause damage or serious injury. Do not use this product for any purpose that is not explicitly specified in this manual and do not exceed weight capacity. We cannot be liable for damage or injury caused by improper mounting, incorrect assembly, or inappropriate use.

WARNING: CHOKING HAZARD

SMALL PARTS - NOT FOR CHILDREN UNDER 3 YEARS. ADULT SUPERVISION IS REQUIRED.

PACKAGE CONTENTS



A (x1)
Desktop



B (x2)
Extended Feet



C (x1)
Keyboard
Tray



D (x10)
M5x10mm



E (x6)
M5x12mm



F (x1)
Cable Clip



G (x2)
Zip tie



H (x2)
Bracket

TOOLS NEEDED



Phillips
Screwdriver

WARNING PINCH POINT

DO NOT place hands on or near support bars. Moving parts can crush and cut. Pinch points are created during lifting and lowering the worksurface. Failure to follow these instructions may result in serious personal injury.



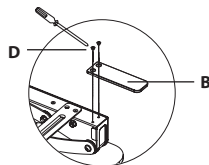
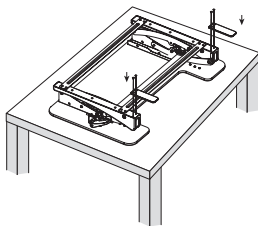
DO NOT EXCEED WEIGHT CAPACITY.
Failure to do so may result in serious injury.



ASSEMBLY STEPS

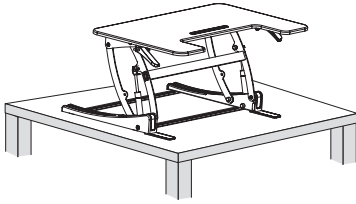
STEP 1

Carefully remove the desktop (**A**) from the packaging and flip the desktop (**A**) onto a flat surface. Attach the extended feet (**B**) to the frame using screws (**D**).



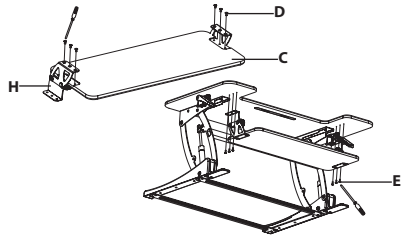
STEP 2

Press the handles on each side and lift the desktop (A).



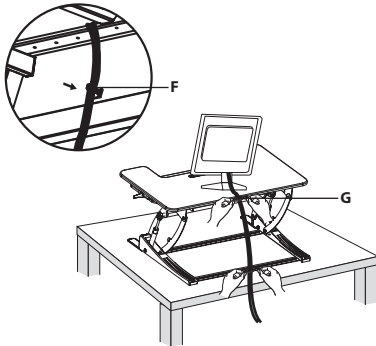
STEP 3

Mount brackets (H) to keyboard tray (C) using screws (D). Mount keyboard tray (C) to desk using screws (E).



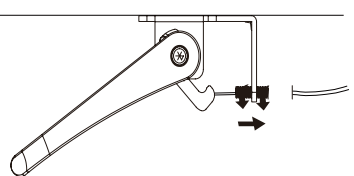
STEP 4

Place laptop, monitor, and other items on desk surface. Attach cable clip (F) to desk to manage keyboard and mouse cables. Manage cables using cable zipties (G).



STEP 5

If locks are not releasing properly to change desk height, adjust the position of the black tube containing the steel release cable. Turn the nuts at the end of the tube just behind the handle as shown, moving the tube away from the handle until the cable once again has proper tension, then tighten the nuts.



⚠ CAUTION!



Keep monitor and laptop base fully on the desktop.



Follow the cable routing instructions to avoid the potential to pinch cables.



Leave enough slack in cable to allow for full range of vertical motion (15" / 38 cm).



Raise desktop slowly to keep items stable.

Failure to follow these instructions may result in property damage and/or personal injury.



Love your new VIVO setup and want to share?

Tag us in your photo! [@vivo_us](#)

LAST UPDATED: 09/16/2019



Open **Monday-Friday from 7:00am-7:00pm CST**,

our dedicated support team can offer immediate assistance with rapid response times.

If any parts are received damaged or defective, please contact us.

We are happy to replace parts to ensure you have a fully functioning product.



help@vivo-us.com

AVG. RESPONSE TIME (*within office hrs*): **1HR 8M**

- 23% within < 15m
- 38% within < 30m
- 61% within < 1hr
- 83% within < 2hr
- 92% within < 3hr



www.vivo-us.com

AVG. RESOLUTION TIME (*within office hrs*): **< 15 M**



309-278-5303

AVG. RESOLUTION TIME (*within office hrs*): **5M 4S**

FOR MORE VIVO PRODUCTS, CHECK OUT OUR WEBSITE AT: www.vivo-us.com