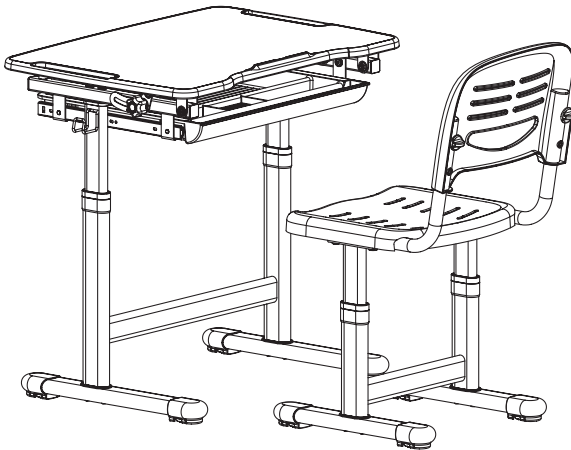




---

## Blue Kids' Height Adjustable Desk and Chair Instruction Manual



**SKU: DESK-V201B**



Scan the QR code with your mobile device or follow the link for helpful videos and specifications related to this product.

<https://vivo-us.com/products/desk-v201b>



help@vivo-us.com



www.vivo-us.com



309-278-5303

# ⚠️ WARNING!

If you do not understand these directions, or if you have any doubts about the safety of the installation, please call a qualified technician. Check carefully to make sure there are no missing or defective parts. Improper installation may cause damage or serious injury. Do not use this product for any purpose that is not explicitly specified in this manual and do not exceed weight capacity. We cannot be liable for damage or injury caused by improper mounting, incorrect assembly or inappropriate use.

## ⚠️ TIPOVER WARNING

SERIOUS OR FATAL CRUSHING INJURIES CAN OCCUR FROM TIPOVER. TO HELP PREVENT TIPOVER:

- NEVER ALLOW CHILDREN TO CLIMB, STAND, HANG, OR PLAY ON ANY PART OF DESK OR CHAIR
- USE TIPOVER RESTRAINT OR ANCHOR DESK TO WALL

**USE OF TIPOVER RESTRAINTS MAY ONLY REDUCE, BUT NOT ELIMINATE RISK OF TIPOVER.**

## PACKAGE CONTENTS



**B1** (x1)  
Chair Leg



**B2** (x2)  
Chair Feet



**B3** (x1)  
Support Bar



**B4** (x1)  
Side Support Bar



**B5** (x1)  
Center Support Bar



**B6** (x1)  
Seat Bottom



**B7** (x1)  
Seat Back



**B8** (x1)  
Desktop



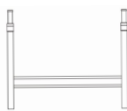
**B9** (x1)  
Right Side  
Drawer Slider



**B10** (x1)  
Left Side  
Drawer Slider



**B11** (x1)  
Plastic Drawer



**B12** (x1)  
Desk Leg



**B13** (x2)  
Desk Feet



**A1** (x8)  
Metal Washer



**A2** (x12)  
Medium Screw



**A3** (x12)  
Plastic Washer



**A4** (x4)  
Long Thread Screw



**A5** (x2)  
Knob



**A6** (x4)  
Short Screw



**A7** (x4)  
Short Thread  
Screw



**A8** (x4)  
Long Screw



**A9** (x1)  
Hook




**A10** (x1)  
Allen Wrench

**NOTE:** Not all hardware included will be used.

# **WARNING: CHOKING HAZARD**


SMALL PARTS - NOT FOR CHILDREN UNDER 3 YEARS. ADULT SUPERVISION IS REQUIRED.



## WARNING

### PINCH POINT

DO NOT place hands on or near support bars. Moving parts can crush and cut. Pinch points are created during lifting and lowering the worksurface. Failure to follow these instructions may result in serious personal injury.



## TOOLS NEEDED



DO NOT EXCEED WEIGHT CAPACITY.

Failure to do so may result in serious injury.



DESK

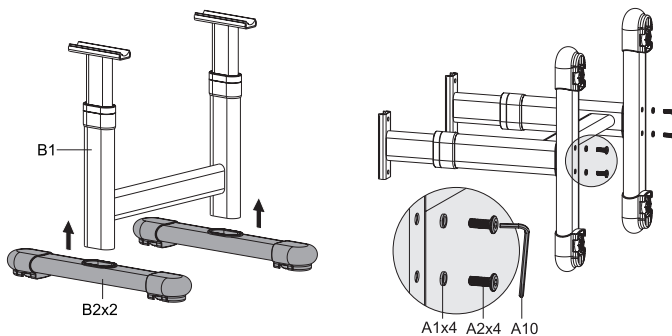


CHAIR

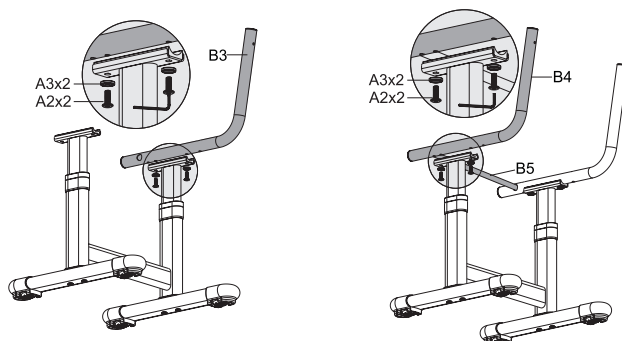
## ASSEMBLY STEPS

### STEP 1

Attach chair legs (**B1**) to chair feet (**B2**), making sure legs are fully seated in openings. Secure feet using 4 medium screws (**A2**) and 4 metal lock washers (**A1**). Tighten with allen wrench (**A10**).

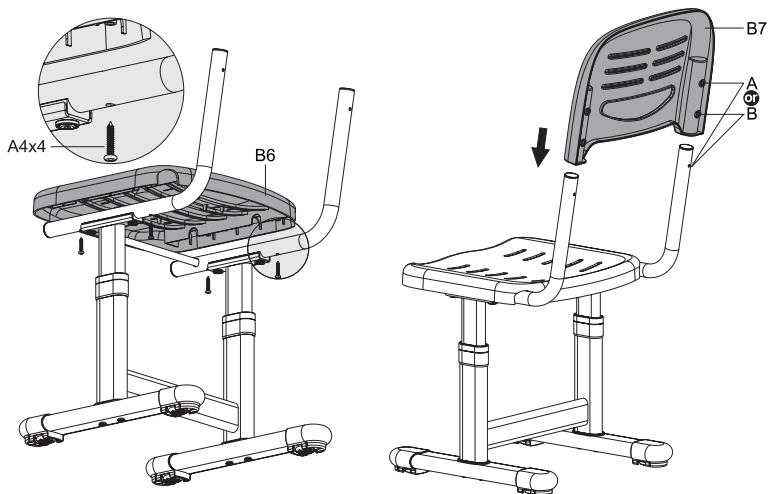


Assemble right side support bar (**B3**) to leg using 2 medium screws (**A2**) and 2 plastic washers (**A3**). The support bar has a large hole on the left side which will face inward. Tighten with allen wrench. Slide center support bar (**B5**) into large hole on right side bar. Slide left side support bar (**B4**) onto center bar, and secure to legs with 2 medium screws (**A2**) and 2 plastic washers (**A3**). Tighten with allen wrench.



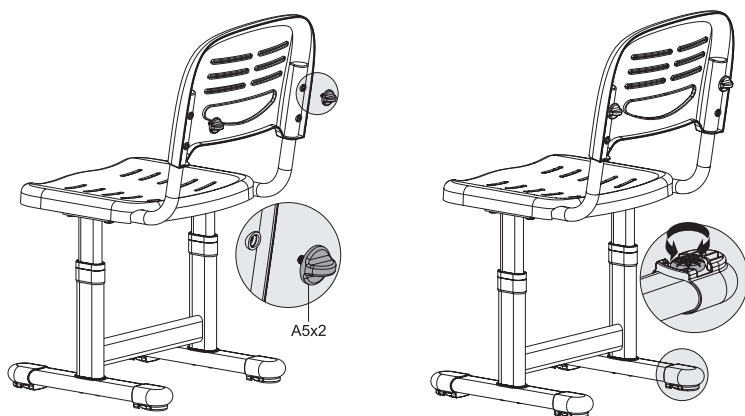
## STEP 2

Mount plastic seat bottom (**B6**) to assembled chair frame using 4 long plastic thread screws (**A4**). Tighten with phillips screwdriver. Slide plastic seat back (**B7**) onto chair frame, aligning upper or lower holes in seat back with screw holes in frame depending on the needed height.



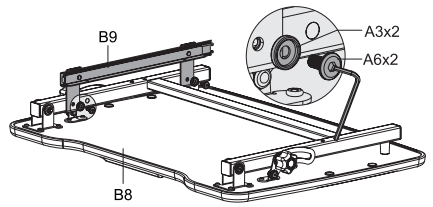
## STEP 3

Secure seat back using knobs (**A5**). Adjust chair feet to sit level if needed.

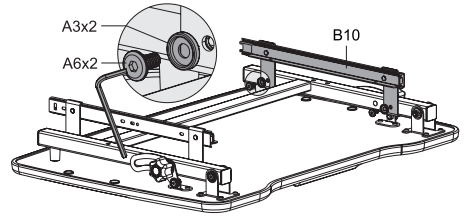


## STEP 4

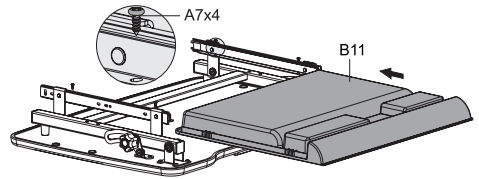
Assemble right side drawer slider (**B9**) to desktop (**B8**) using 2 short screws (**A6**) and 2 plastic washers (**A3**). Tighten with allen wrench. Check to ensure slider pulls out towards the front of the desk.



Assemble left side drawer slider (**B10**) to desktop using 2 short screws (**A6**) and 2 plastic washers (**A3**). Tighten with allen wrench.

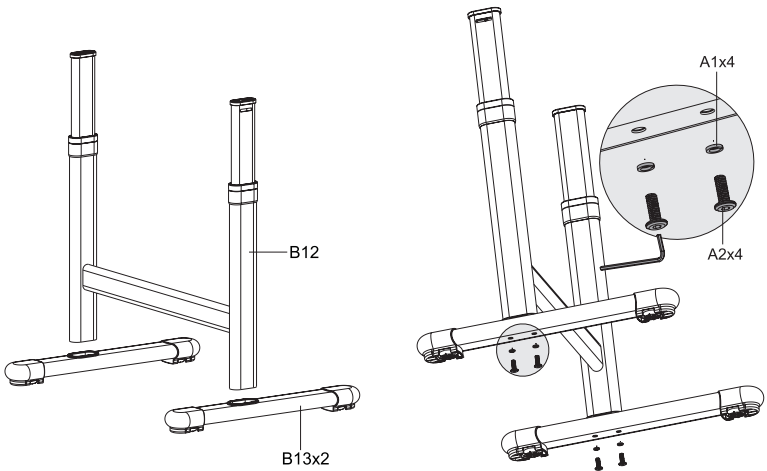


Mount plastic drawer (**B11**) to sliders using 4 short plastic thread screws (**A7**). Tighten with screwdriver.



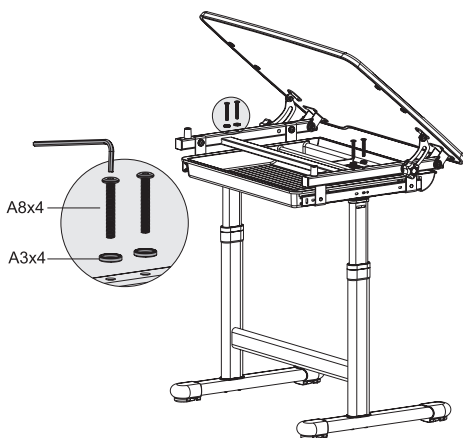
## STEP 5

Attach desk legs (**B12**) to desk feet (**B13**), making sure legs are fully seated in openings. Secure feet using 4 medium screws (**A2**) and 4 metal lock washers (**A1**). Tighten with allen wrench.



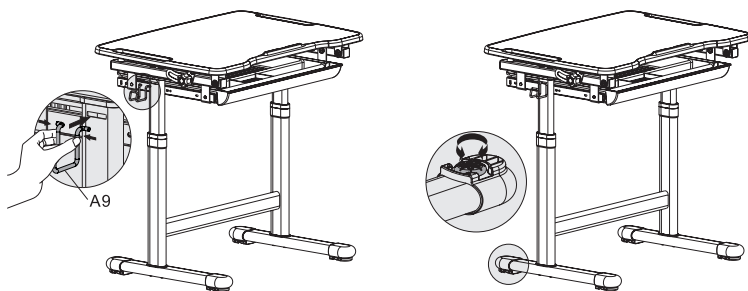
## STEP 5 (cont.)

Assemble desktop to legs using 4 long screws (**A8**) and 4 plastic washers (**A3**). Tighten with allen wrench.



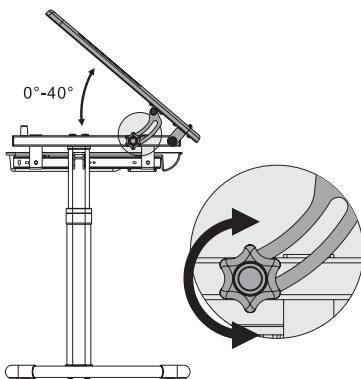
## STEP 6

Squeeze sides of hook (**A9**) and fit into slot on left or right side of desk. Adjust desk feet to sit level if needed.



## STEP 7

Loosen knobs on sides of desk to adjust desk tilt angle, and tighten knobs to secure position.



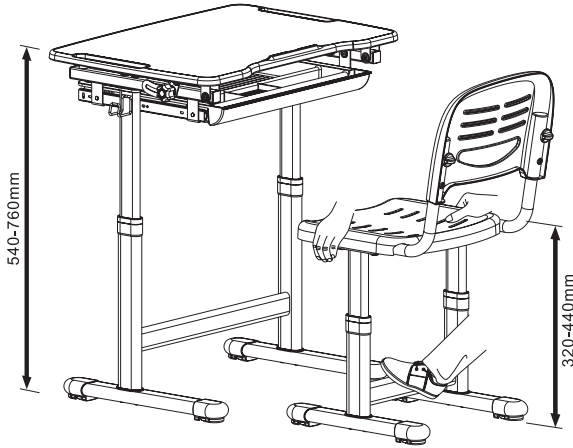
# Height Adjustment

## RAISE:

Step on the support bar with one foot and pull up with even motion on both sides of the desk, until it reaches desired height. Repeat with chair.

## LOWER:

Step on the support bar with one foot and pull up with even motion on both sides of the desk, until it reaches max height. Slowly lower down to desired height. Repeat with chair.



## CAUTION!



Keep monitor and laptop base fully on the desktop.



Raise desktop slowly to keep items stable.

Failure to follow these instructions may result in property damage and/or personal injury.



Love your new VIVO setup and want to share?

Tag us in your photo! [@vivo\\_us](#)

LAST UPDATED: 09/16/2019



Open **Monday-Friday from 7:00am-7:00pm CST**,  
our dedicated support team can offer immediate assistance with rapid response times.  
If any parts are received damaged or defective, please contact us.  
We are happy to replace parts to ensure you have a fully functioning product.



[help@vivo-us.com](mailto:help@vivo-us.com)

**AVG. RESPONSE TIME** (*within office hrs*): **1HR 8M**

- 23% within < 15m
- 38% within < 30m
- 61% within < 1hr
- 83% within < 2hr
- 92% within < 3hr



[www.vivo-us.com](http://www.vivo-us.com)

**AVG. RESOLUTION TIME** (*within office hrs*): **< 15 M**



309-278-5303

**AVG. RESOLUTION TIME** (*within office hrs*): **5M 4S**

FOR MORE VIVO PRODUCTS, CHECK OUT OUR WEBSITE AT: [www.vivo-us.com](http://www.vivo-us.com)