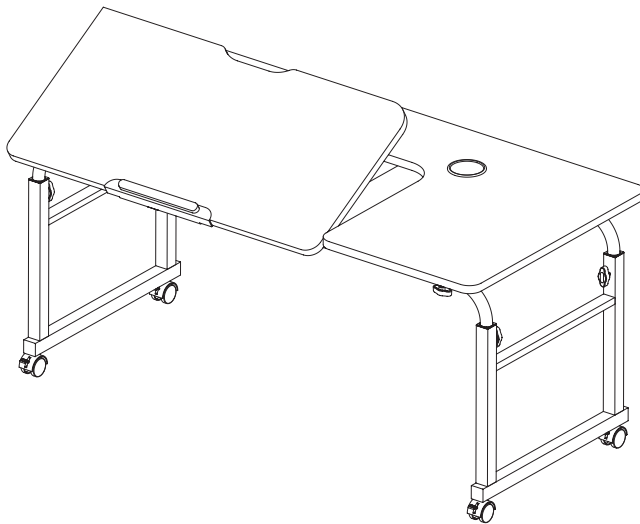


Complete Mobile Desk

Instruction Manual



SKU: DESK-V202A



Scan the QR code with your mobile device or follow the link for helpful videos and specifications related to this product.

<https://vivo-us.com/products/desk-v202a>



help@vivo-us.com



www.vivo-us.com



1-800-371-5654

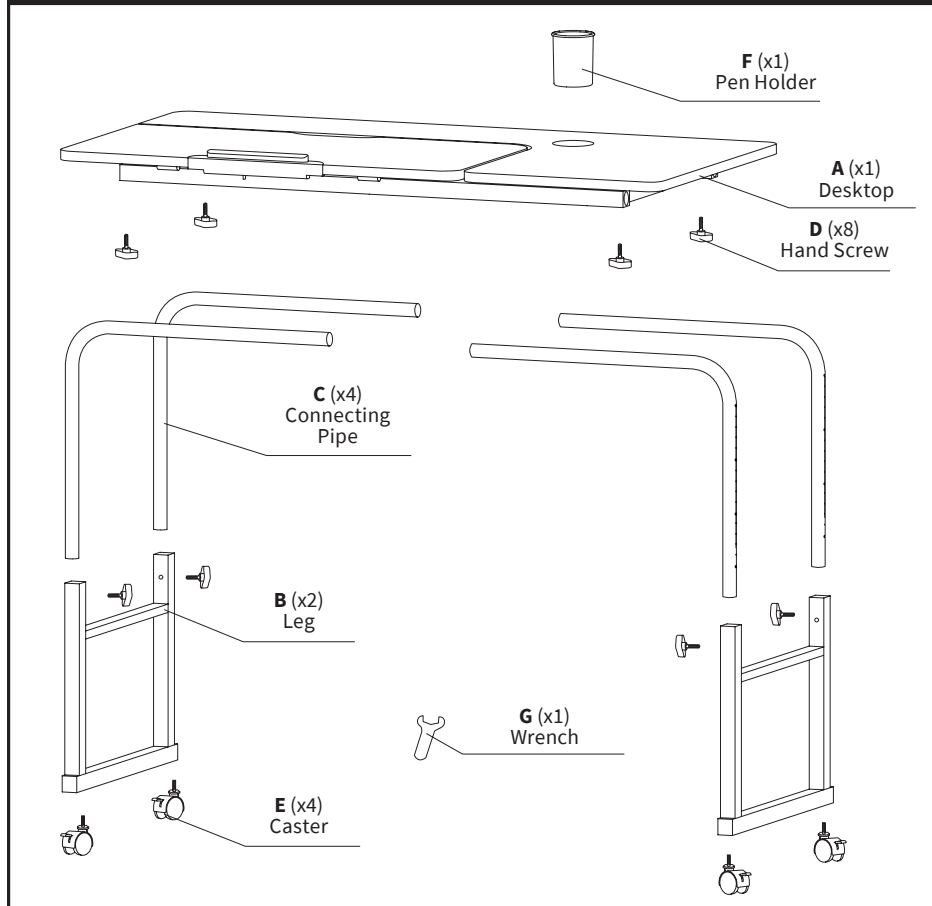
⚠ WARNING!

If you do not understand these directions, or if you have any doubts about the safety of the installation, please call a qualified technician. Check carefully to make sure there are no missing or defective parts. Improper installation may cause damage or serious injury. Do not use this product for any purpose that is not explicitly specified in this manual and do not exceed weight capacity. We cannot be liable for damage or injury caused by improper mounting, incorrect assembly, or inappropriate use.

⚠ WARNING: CHOKING HAZARD

SMALL PARTS - NOT FOR CHILDREN UNDER 3 YEARS. ADULT SUPERVISION IS REQUIRED.

PACKAGE CONTENTS



DO NOT EXCEED WEIGHT CAPACITY.

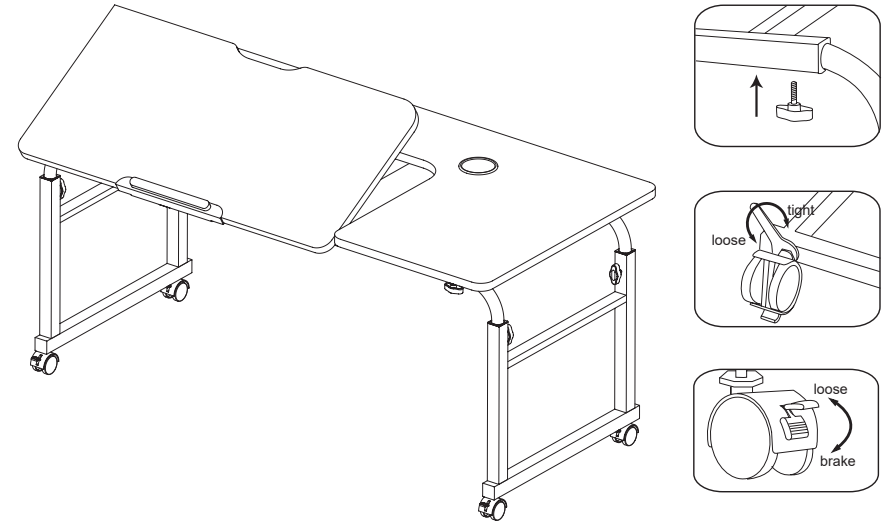
Failure to do so may result in serious injury.



ASSEMBLY STEPS

STEP 1

Place the Desktop (A) upside down on the floor. Insert the Connecting Pipes (C) into the ends of the desktop, then place the Legs (B) onto the Connecting Pipes. Secure the Connecting Pipes and Legs using the Hand Screws (D). Screw the Casters (E) into the Legs and tighten with the Wrench (G). Carefully flip the desk over and place the Pen Holder (F) into the round hole on the Desktop.



Adjust tilting surface by gripping the back of the surface and pulling up or pushing down. Lock casters by pressing down on the levers, and unlock by pulling the levers up.

⚠ WARNING PINCH POINT

DO NOT place hands on or near support bars. Moving parts can crush and cut. Pinch points are created during lifting and lowering the worksurface. Failure to follow these instructions may result in serious personal injury.





Love your new VIVO setup and want to share?

Tag us in your photo! **@vivo_us**

Last Updated: 12/27/2018



If any parts are received damaged or defective, please contact us. We are happy to replace parts to ensure you have a fully functioning product.



help@vivo-us.com



www.vivo-us.com



1-800-371-5654

For more VIVO products, check out our website at:
www.vivo-us.com.