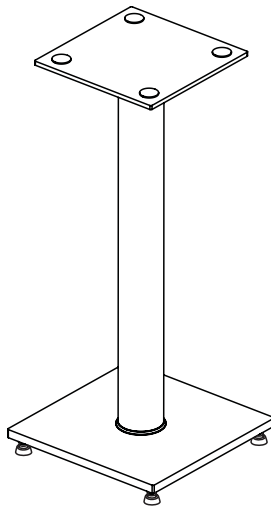


Speaker Stand

Instruction Manual



SKU: STAND-SP02B



Scan the QR code with your mobile device or follow the link for helpful videos and specifications related to this product.

<https://vivo-us.com/products/stand-sp02b>



help@vivo-us.com



www.vivo-us.com



1-800-371-5654

WARNING!

If you do not understand these directions, or if you have any doubts about the safety of the installation, please call a qualified technician. Check carefully to make sure there are no missing or defective parts. Improper installation may cause damage or serious injury. Do not use this product for any purpose that is not explicitly specified in this manual. Do not exceed weight capacity. We cannot be liable for damage or injury caused by improper mounting, incorrect assembly or inappropriate use.

TIPOVER WARNING

SERIOUS OR FATAL CRUSHING INJURIES CAN OCCUR FROM TIPOVER. TO HELP PREVENT TIPOVER:

- NEVER ALLOW CHILDREN TO CLIMB, STAND, HANG, OR PLAY ON ANY PART OF STAND.
- USE TIPOVER RESTRAINT OR ANCHOR STAND TO WALL

USE OF TIPOVER RESTRAINTS MAY ONLY REDUCE, BUT NOT ELIMINATE RISK OF TIPOVER.

WARNING: CHOKING HAZARD

SMALL PARTS - NOT FOR CHILDREN UNDER 3 YEARS. ADULT SUPERVISION IS REQUIRED.

PACKAGE CONTENTS



A1 (x2)
Nut



A2 (x2)
Washer



A3 (x2)
Washer



A4 (x8)
Carpet Spike



A5 (x8)
Pad



A6 (x1)
Wrench



A7 (x8)
Soft Feet



A8 (x8)
Screw



G1 (x2)
Rod

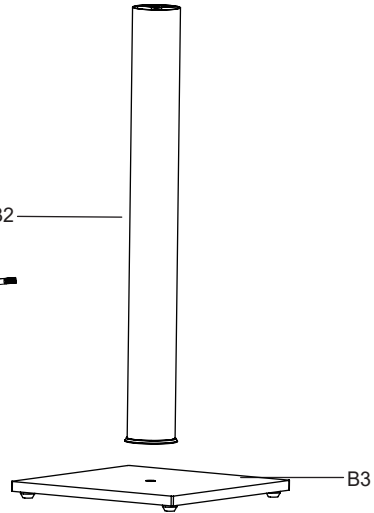
B1 (x2)
Shelf

B2 (x2)
Pole

B3 (x2)
Base



B2



NOTE: SOME HARDWARE INCLUDED MAY NOT BE USED

TOOLS NEEDED



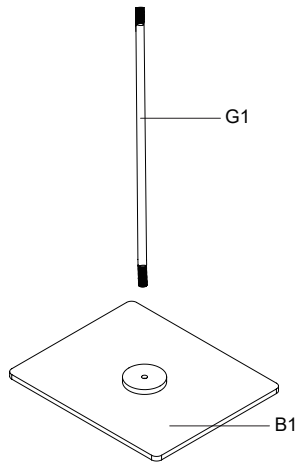
DO NOT EXCEED WEIGHT CAPACITY.
Failure to do so may result in serious injury.

22 lbs
(10 kg)

ASSEMBLY STEPS

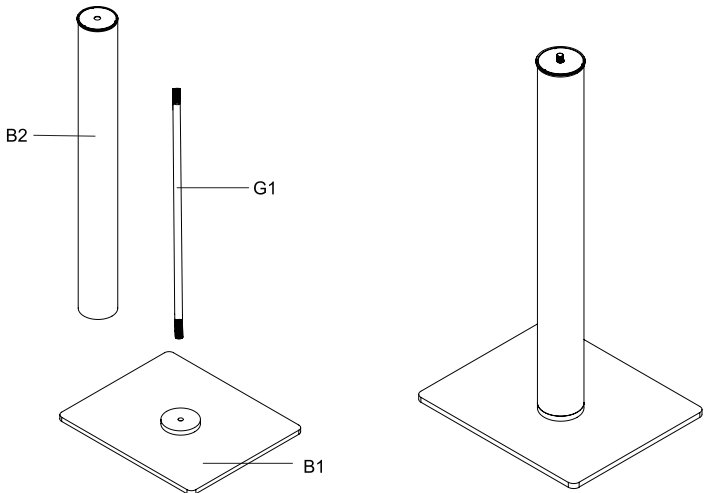
STEP 1

Thread rod (**G1**) into base (**B1**).



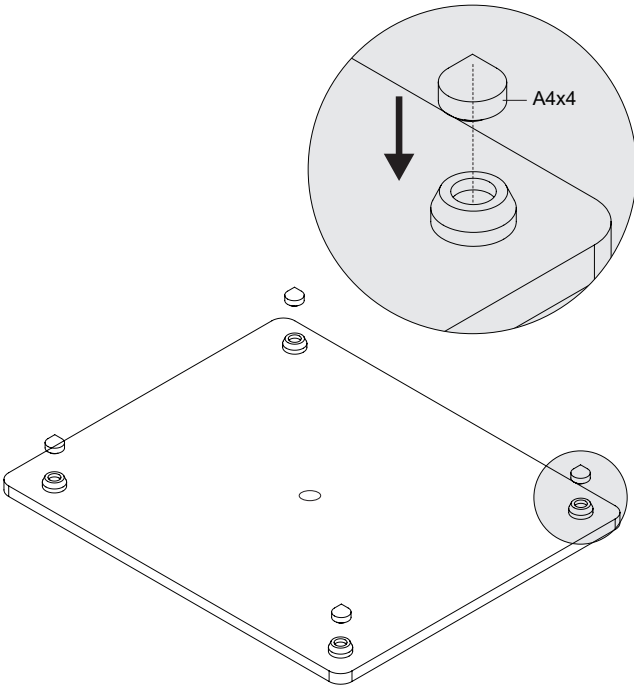
STEP 2

Slide pole (**B2**) onto rod.

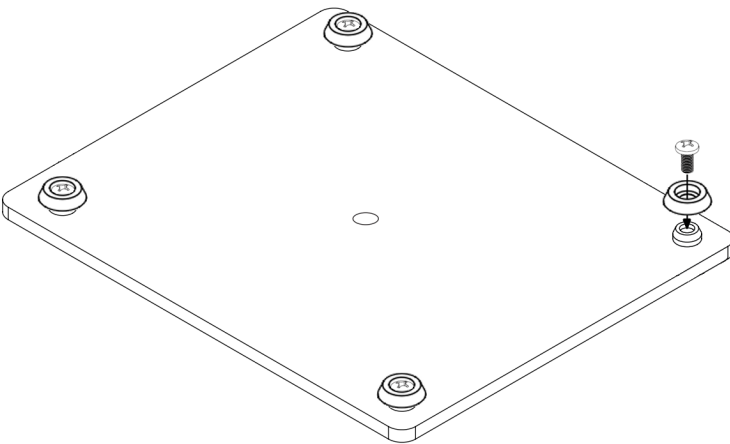


STEP 3

OPTION A: If stands will be used on carpet floor, screw carpet spikes (**A4**) into base.

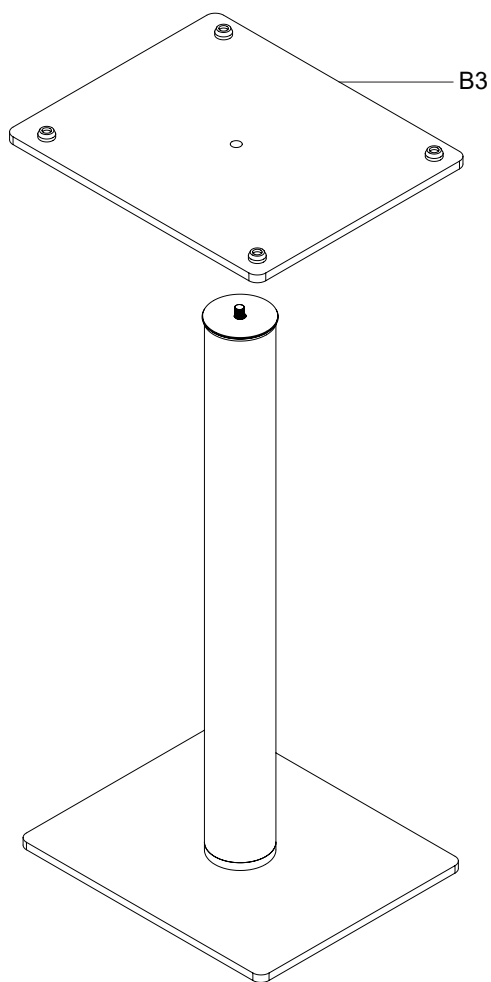


OPTION B: If stands will be used on hard floor, attach soft feet (**A7**) to base using screws (**A8**).



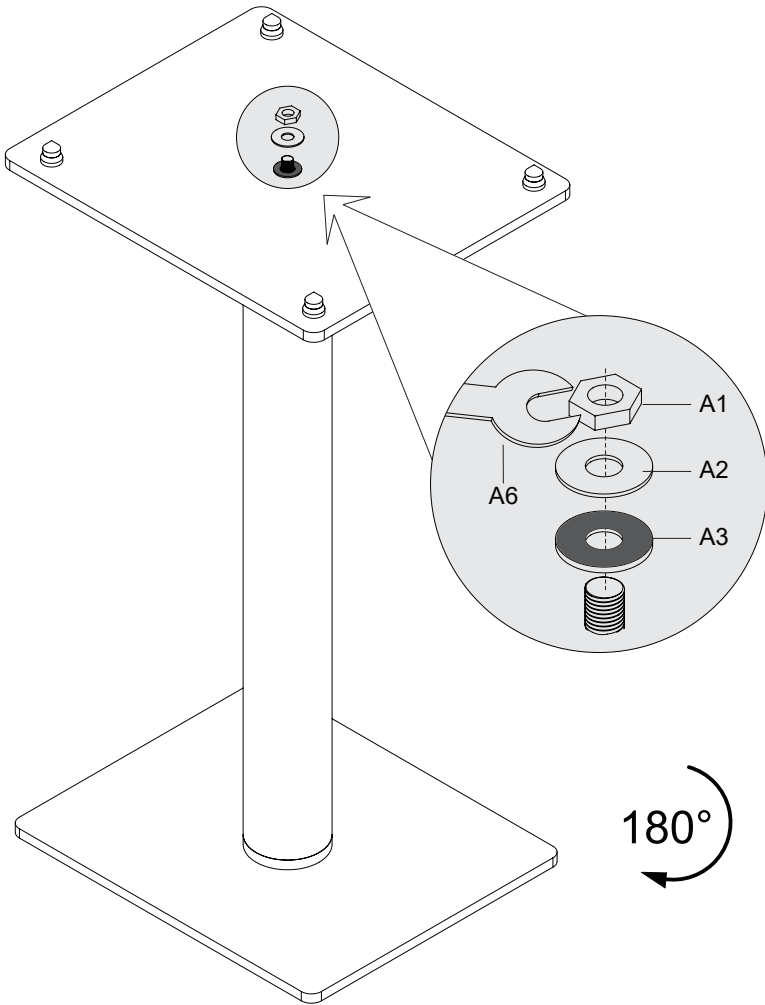
STEP 4

Place glass base (**B3**) on rod.



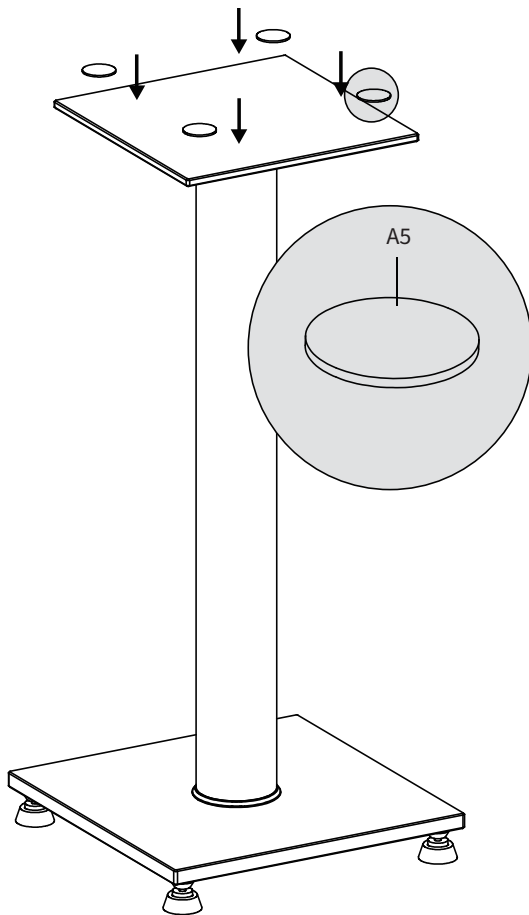
STEP 5

Secure base to rod using plastic washer (A3), metal washer (A2), and nut (A1), and tighten with wrench (A6). Carefully flip the assembled stand right side up.



STEP 6

Apply non-slip pads (**A5**) to top shelf, making sure they're properly aligned with the base of your speaker.





Love your new VIVO setup and want to share?

Tag us in your photo! **@vivo_us**

Last Updated: 05/10/2019



If any parts are received damaged or defective, please contact us. We are happy to replace parts to ensure you have a fully functioning product.



help@vivo-us.com



www.vivo-us.com



1-800-371-5654

For more VIVO products, check out our website at:

www.vivo-us.com.