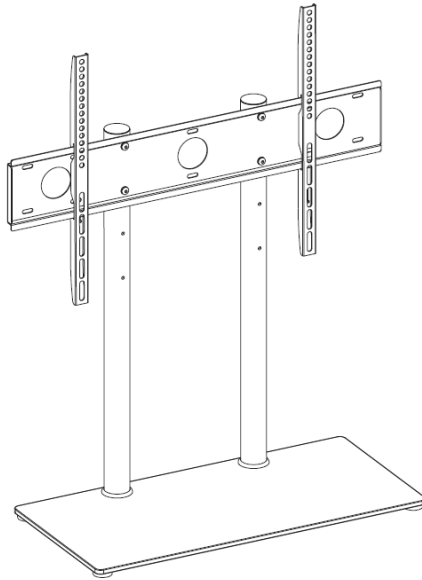




---

## Tabletop TV Stand

### Instruction Manual



**SKU: STAND-TV00H**



Scan the QR code with your mobile device or follow the link for helpful videos and specifications related to this product.

<https://vivo-us.com/products/stand-tv00h>



help@vivo-us.com



www.vivo-us.com



1-800-371-5654

## **WARNING!**

If you do not understand these directions, or if you have any doubts about the safety of the installation, please call a qualified technician. Check carefully to make sure there are no missing or defective parts. Improper installation may cause damage or serious injury. Do not use this product for any purpose that is not explicitly specified in this manual. Do not exceed weight capacity. We cannot be liable for damage or injury caused by improper mounting, incorrect assembly or inappropriate use.

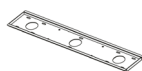
## **TIPOVER WARNING**

SERIOUS OR FATAL CRUSHING INJURIES CAN OCCUR FROM TIPOVER. TO HELP PREVENT TIPOVER:

- NEVER ALLOW CHILDREN TO CLIMB, STAND, HANG, OR PLAY ON ANY PART OF TV OR TV STAND.
- USE TIPOVER RESTRAINT OR ANCHOR STAND TO WALL

**USE OF TIPOVER RESTRAINTS MAY ONLY REDUCE, BUT NOT ELIMINATE RISK OF TIPOVER.**

## **PACKAGE CONTENTS**



**A (x1)**  
TV Plate



**B (x2)**  
Monitor Bracket



**C (x1)**  
Tempered Glass



**D (x2)**  
Support Pole



**E (x2)**  
Plastic Socket



**F (x2)**  
M8 Washer



**G (x2)**  
M8x22 Bolt



**H (x4)**  
M6x10



**I (x4)**  
M6 Washer



**J (x4)**  
Rubber Foot



**L (x4)**  
M4x12



**M (x4)**  
M4x30



**N (x4)**  
M6x20



**O (x4)**  
M6x35



**P (x4)**  
M8x20



**Q (x4)**  
M8x35



**R (x4)**  
M4 Washer



**S (x4)**  
M6 Washer



**T (x4)**  
M8 Washer



**U (x4)**  
M4 Spacer



**V (x8)**  
M6/8 Spacer



**W (x1)**  
Allen Wrench



**X (x1)**  
Security Wire Kit

**NOTE:** NOT ALL HARDWARE INCLUDED WILL BE USED

## **WARNING: CHOKING HAZARD**

SMALL PARTS - NOT FOR CHILDREN UNDER 3 YEARS. ADULT SUPERVISION IS REQUIRED.

## TOOLS NEEDED



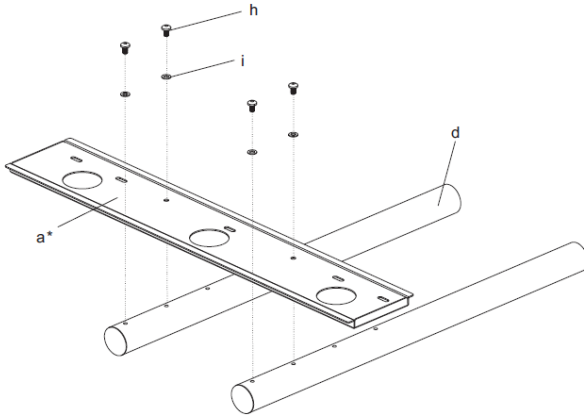
DO NOT EXCEED WEIGHT CAPACITY.  
Failure to do so may result in serious injury.



## ASSEMBLY STEPS

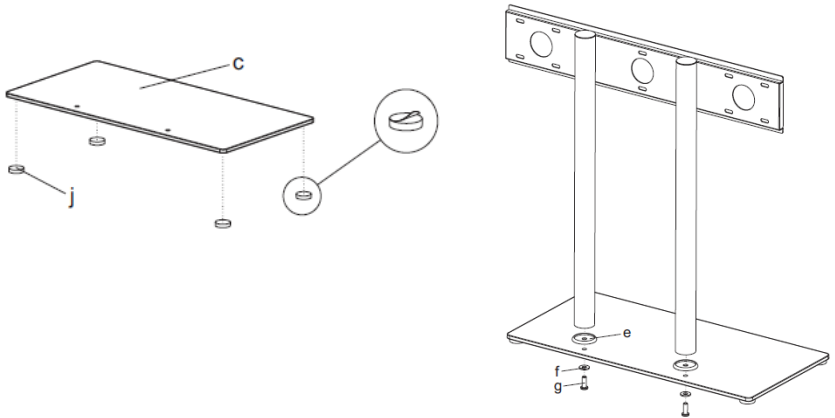
### STEP 1

Attach TV plate (A) to support poles (D) using M6x10 bolts (H) and M6 washers (I). \*TV plate (A) can be installed on wall optionally, wall mounting hardware is not included.



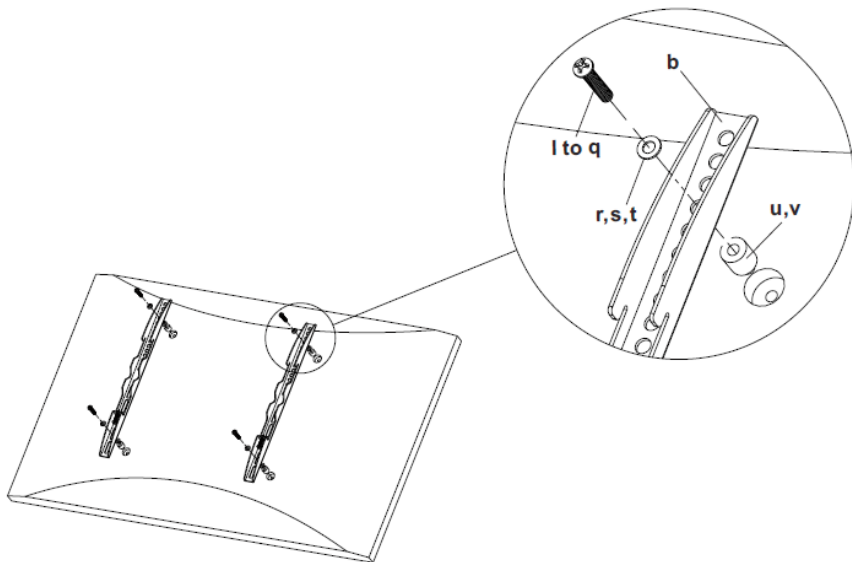
### STEP 2

Stick rubber feet (J) to bottom of tempered glass (C). Secure support poles (D) to tempered glass (C) using M8x22 bolts (G), M8 washers (F), and plastic sockets (E) as shown in diagram.



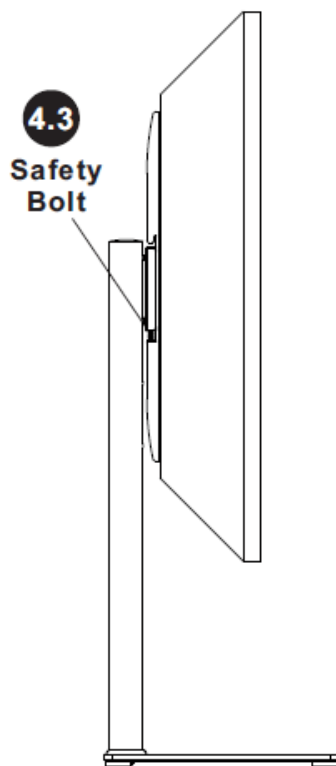
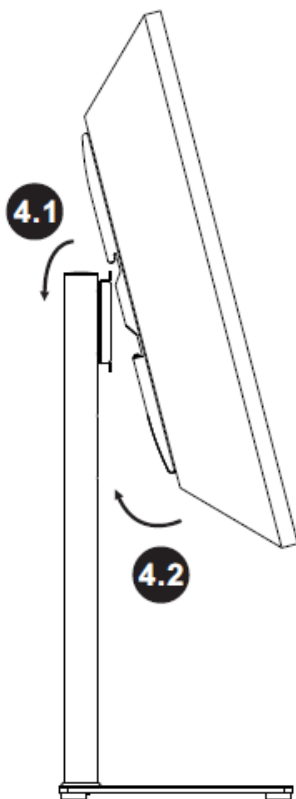
### STEP 3

First, make sure you have the correct diameter bolt (**L to Q**) your TV requires. Once you have the correct size, please see the diagram below. You will then thread the bolt through the bracket (**B**) into the TV using the correct washers (**R,S,T**), and using the spacer (**U,V**) if necessary. Please make sure the TV brackets are vertically centered and level with each other.



## STEP 4

Attach Monitor Brackets (B) to TV Plate (A) as shown in diagram.



## STEP 5a

If your TV is located near a wall as shown in diagram 5a, then the security wire can be attached for added safety. This is done by attaching the two ends of the security wire to the top two holes on the back of the TV, shown in diagram 5b. The other end of the security wire can then be attached to the wall, according to wall type, shown in diagram 5c and 5d.

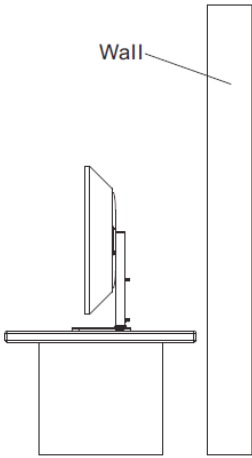


DIAGRAM A

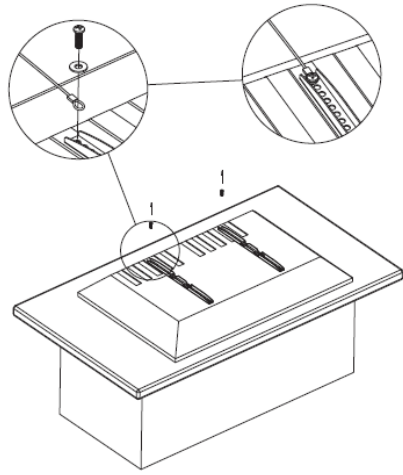


DIAGRAM B

### Option A: Wood Wall

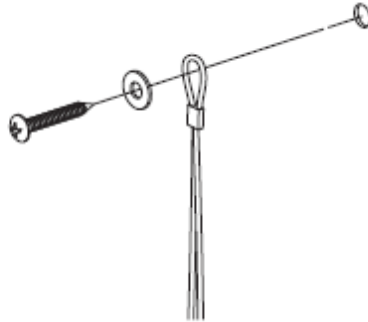
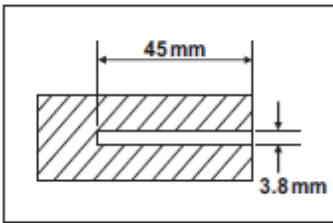


DIAGRAM C

## STEP 5 (continued)

**Option B: Concrete/Brick Wall**

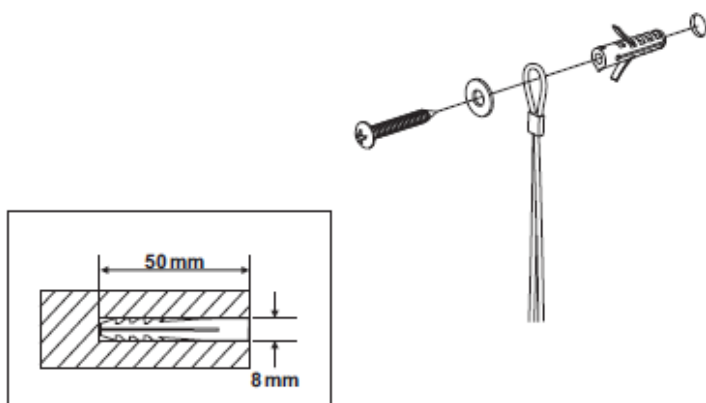
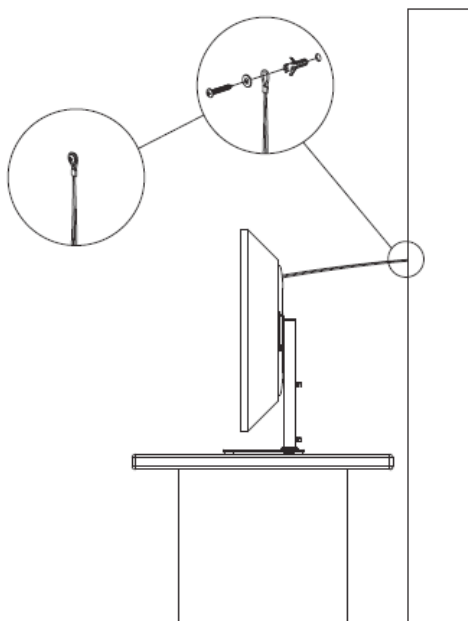


DIAGRAM D





Love your new VIVO setup and want to share?

Tag us in your photo! **@vivo\_us**

Last Updated: 06/05/2019



If any parts are received damaged or defective, please contact us. We are happy to replace parts to ensure you have a fully functioning product.



[help@vivo-us.com](mailto:help@vivo-us.com)



[www.vivo-us.com](http://www.vivo-us.com)



1-800-371-5654

For more VIVO products, check out our website at:  
[www.vivo-us.com](http://www.vivo-us.com).