

Black Mobile TV Cart

Instruction Manual



SKU: STAND-TV03E



Scan the QR code with your mobile device or follow the link for helpful videos and specifications related to this product.

<https://vivo-us.com/products/stand-tv03e>



help@vivo-us.com



www.vivo-us.com



1-309-278-5303

WARNING!

If you do not understand these directions, or if you have any doubts about the safety of the installation, please call a qualified technician. Check carefully to make sure there are no missing or defective parts. Improper installation may cause damage or serious injury. Do not use this product for any purpose that is not explicitly specified in this manual. Do not exceed weight capacity. We cannot be liable for damage or injury caused by improper mounting, incorrect assembly or inappropriate use.

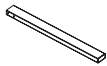
TIPOVER WARNING

SERIOUS OR FATAL CRUSHING INJURIES CAN OCCUR FROM TIPOVER. TO HELP PREVENT TIPOVER:

- NEVER ALLOW CHILDREN TO CLIMB, STAND, HANG, OR PLAY ON ANY PART OF TV OR TV CART.
- USE TIPOVER RESTRAINT OR ANCHOR STAND TO WALL

USE OF TIPOVER RESTRAINTS MAY ONLY REDUCE, BUT NOT ELIMINATE RISK OF TIPOVER.

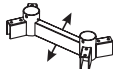
PACKAGE CONTENTS



1 (x2)
Long Square
Tube



2 (x2)
Short Square
Tube



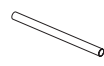
3 (x1)
Tube
Connector



4 (x1)
Tube Connector
Cover



5 (x2)
Pole with
Holes



6 (x2)
Pole without
Holes



7 (x2)
Pole
Connector



8 (x4)
Pole Cover



9 (x4)
Wheel



10 (x2)
Square Plate
Connector and
Rubber Pad



11 (x8)
M6x60



12 (x4)
M6 Socket
Plate



13 (x14)
M6x10



14 (x2)
M5x6 Grub
Screw



15 (x1)
Tool Kit



16 (x1)
Shelf



17 (x2)
Shelf Support



18 (x4)
M4x6



19 (x1)
Square
Plate



20 (x1)
TV Arm Set



21 (x4)
M4x12
M4x30



22 (x4)
M6x20
M6x35



23 (x4)
M8x20
M8x35
M8x45



24 (x4)
M4 Washer



25 (x12)
M6 Washer



26 (x4)
M8 Washer



27 (x4)
M4 Spacer
M6/8 Spacer
(20mm)



28 (x8)
M6/8 Spacer
(5mm)

NOTE: SOME HARDWARE INCLUDED MAY NOT BE USED

TOOLS NEEDED



DO NOT EXCEED WEIGHT CAPACITY.

Failure to do so may result in serious injury.

110 lbs
(49.9 kg)

CART

10 lbs
(4.54 kg)

SHELF

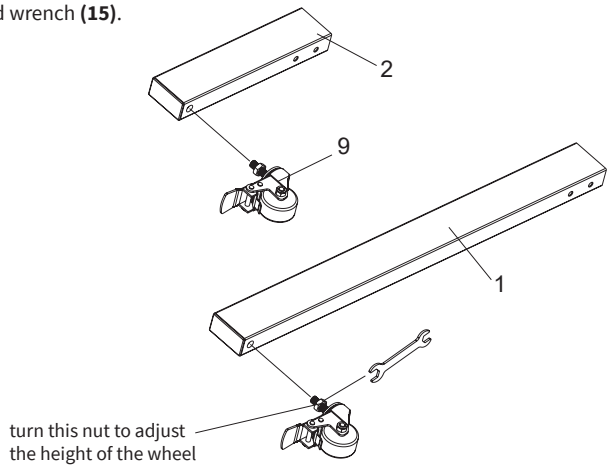
WARNING: CHOKING HAZARD

SMALL PARTS - NOT FOR CHILDREN UNDER 3 YEARS. ADULT SUPERVISION IS REQUIRED.

ASSEMBLY STEPS

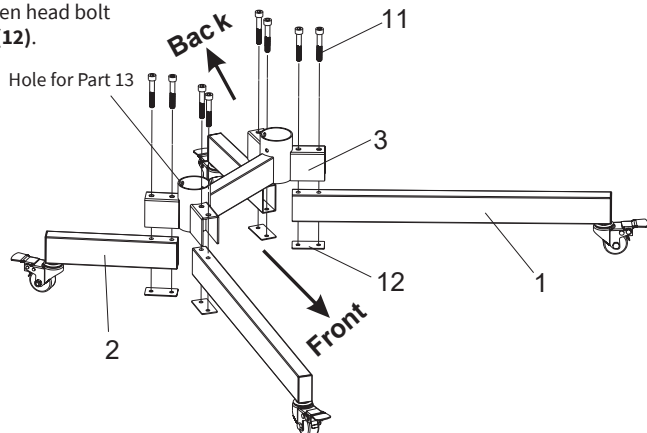
STEP 1

Attach wheels (9) to the long and short square tubing (1,2) using the provided wrench (15).



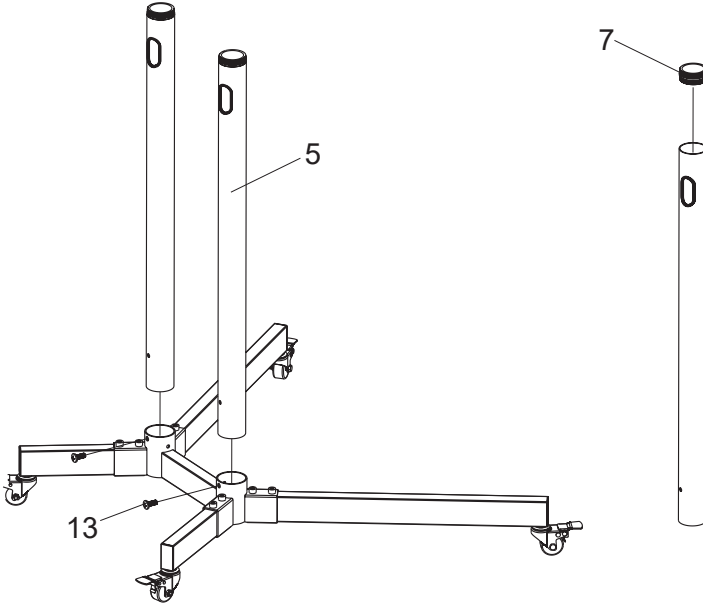
STEP 2

Attach the square tubing (1,2) to the tube connector (3) using M6x60 Allen head bolt (11) and the M6 socket plate (12).



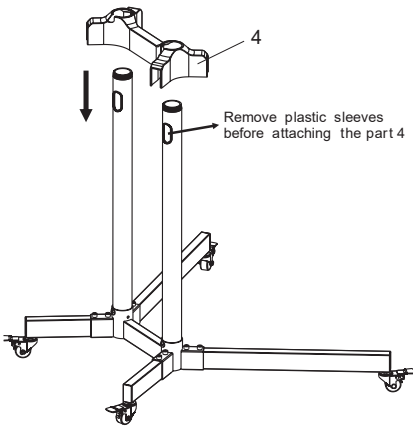
STEP 3

Attach the base poles (5) to the tube connector (3) using M6x10 bolts (13) in the back and M5x6 grub screws (14) in the sides. Thread on the pole connectors (7) to the tops of each base pole (5). Use caution when threading pole connectors. Threads are very fine and may have sharp edges.

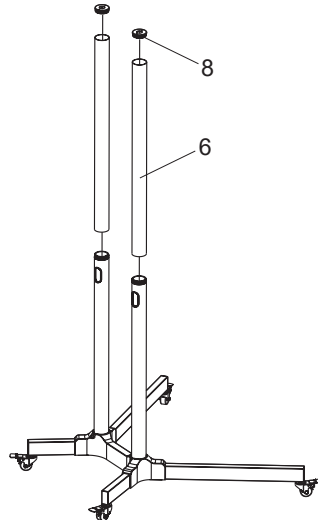


STEP 4

4a: Slide the tube connector cover (4) over the base poles (5) and fit over the tube connector (3).

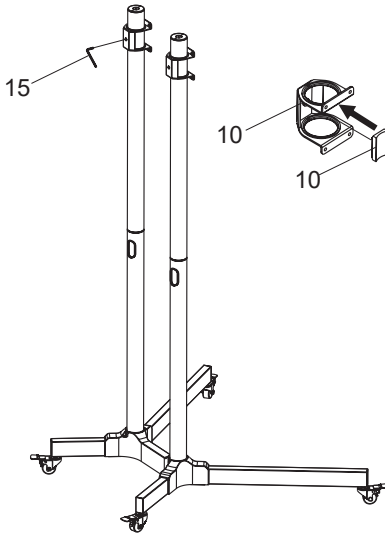


4b: Thread the top poles (6) to the pole connectors (7) and insert the pole covers (8) into the top.

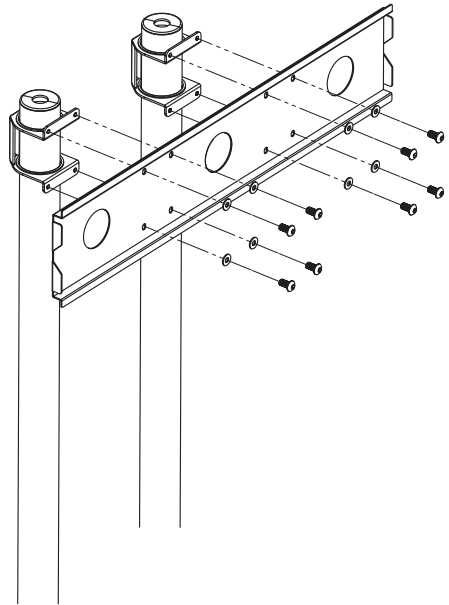


STEP 5

5a: Slide the square plate connectors and rubber pads (10) over the top of the poles (6) and tighten the grub screw using tool kit (15).

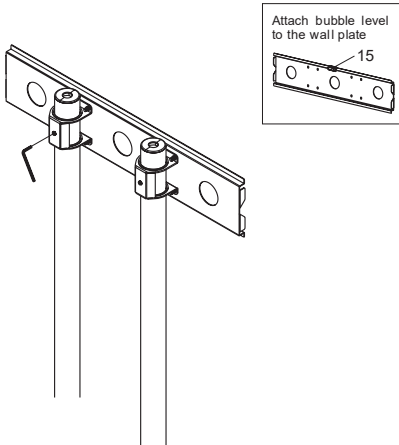


5b: Attach the square plate (19) to the square plate connectors (10) with 8 6x10 Allen head bolts (13) and 8 M6 washers (25) using tool kit (15).

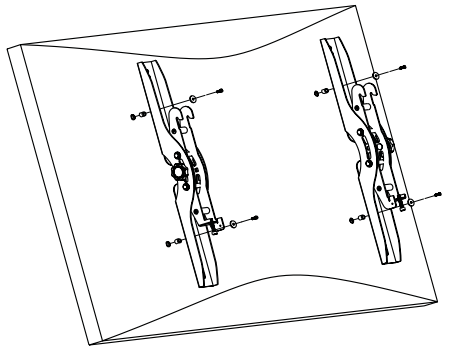


STEP 6

6a: Clip bubble level from tool kit (15) onto the square plate (19). Adjust the level of the square plate (19) by loosening the grub screw in the back of the square plate connector (10) using tool kit (15). Tighten grub screws again once you've reached desired height and level.

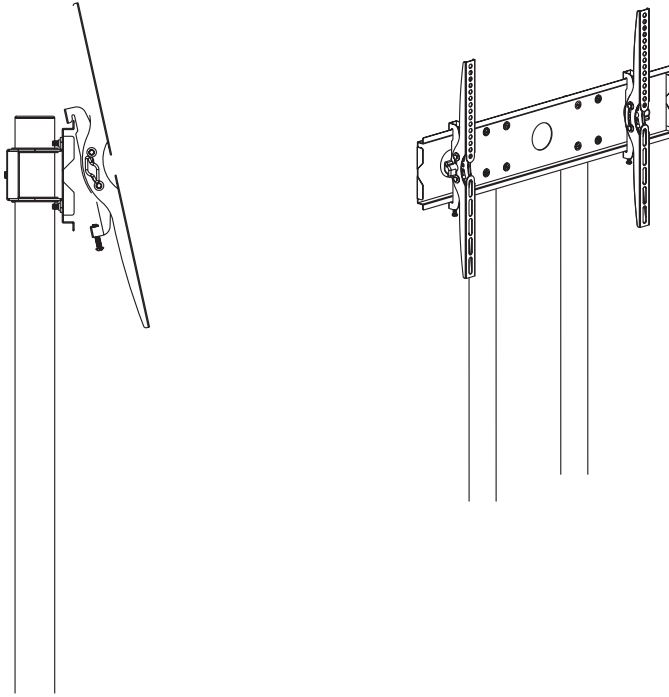


6b: Secure TV arm set (20) to the back of your television using bolts (21-23) and washers (24-26), depending on the size of the mounting holes on the television. For curved or recessed TVs, a spacer may be required (27,28).



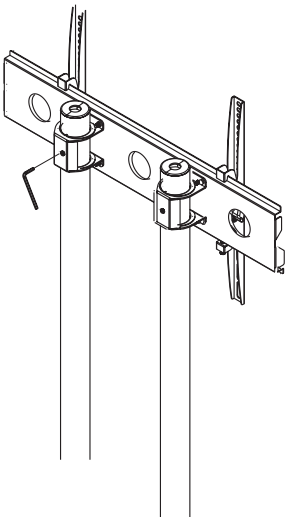
STEP 7

Attach the TV arm set (20) to the square plate (19). Tighten the safety bolts on the bottom of the TV arm set (20) to secure the television to the stand.

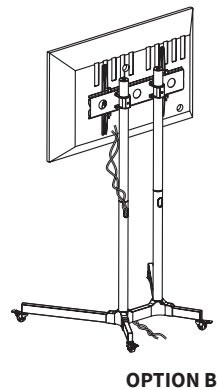
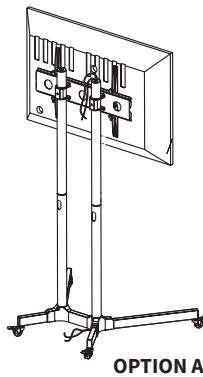


STEP 8

8a: If additional leveling and height adjustment is required after television is attached, repeat step 6.

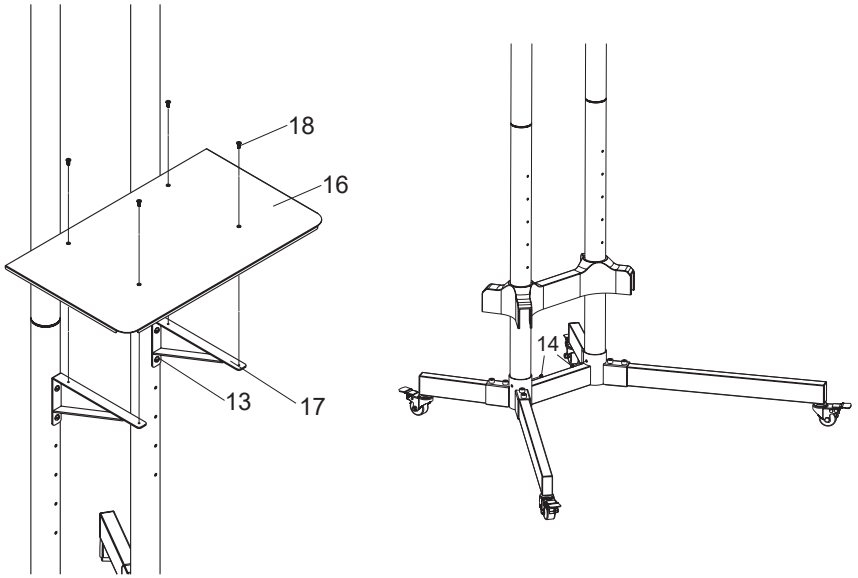


8b: For wire management, cables can be run through the tops of the pole covers (8) and down through the poles.



STEP 9

To attach the shelf (16), first attach the shelf supports (17) to the bottom poles (5) using 4 M6x10 Allen head bolts (13). Once secured, attach the shelf (16) to the supports (17) using 4 M4x6 countersink bolts (18).





Love your new VIVO setup and want to share?

Tag us in your photo! @vivo_us

LAST UPDATED: 09/17/2019



Open Monday-Friday from 7:00am-7:00pm CST,
our dedicated support team can offer immediate assistance with rapid response
times.

If any parts are received damaged or defective, please contact us.



help@vivo-us.com

AVG. RESPONSE TIME (within office hrs): **1HR 8M**

- 23% within < 15m
- 38% within < 30m
- 61% within < 1hr
- 83% within < 2hr
- 92% within < 3hr



www.vivo-us.com

AVG. RESOLUTION TIME (within office hrs): **< 15 M**



309-278-5303

AVG. RESOLUTION TIME (within office hrs): **5M 4S**

FOR MORE VIVO PRODUCTS, CHECK OUT OUR WEBSITE AT: www.vivo-us.com