



---

## Black Mobile TV Cart

### Instruction Manual



**SKU: STAND-TV04M**



Scan the QR code with your mobile device or follow the link for helpful videos and specifications related to this product.

<https://vivo-us.com/products/stand-tv04m>



help@vivo-us.com



www.vivo-us.com



1-800-371-5654

# **WARNING!**

If you do not understand these directions, or if you have any doubts about the safety of the installation, please call a qualified technician. Check carefully to make sure there are no missing or defective parts. Improper installation may cause damage or serious injury. Do not use this product for any purpose that is not explicitly specified in this manual. Do not exceed weight capacity. We cannot be liable for damage or injury caused by improper mounting, incorrect assembly or inappropriate use.

## **TIPOVER WARNING**

SERIOUS OR FATAL CRUSHING INJURIES CAN OCCUR FROM TIPOVER. TO HELP PREVENT TIPOVER:

- NEVER ALLOW CHILDREN TO CLIMB, STAND, HANG, OR PLAY ON ANY PART OF TV OR TV CART.
- USE TIPOVER RESTRAINT OR ANCHOR STAND TO WALL

**USE OF TIPOVER RESTRAINTS MAY ONLY REDUCE, BUT NOT ELIMINATE RISK OF TIPOVER.**

## **PACKAGE CONTENTS**



**1** (x2)  
Long Square  
Tube



**2** (x2)  
Short Square  
Tube



**3** (x1)  
Tube  
Connector



**4** (x1)  
Tube Connector  
Cover



**5** (x1)  
Pole with  
Holes



**6** (x1)  
Pole without  
Holes



**7** (x1)  
Pole  
Connector



**8** (x2)  
Pole Cover



**9** (x4)  
Wheel



**10** (x8)  
M6x60



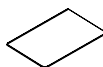
**11** (x4)  
M6 Socket  
Plate



**12** (x12)  
M6x10



**13** (x1)  
Shelf  
Support  
Connecting Plate



**14** (x1)  
Shelf



**15** (x2)  
Shelf Support



**16** (x4)  
M6 Nut



**17** (x1)  
Square Plate  
Connector and  
Rubber Pad



**18** (x1)  
Square  
Plate



**19** (x4)  
M6 Washer



**20** (x1)  
TV Arm Set



**21** (x1)  
Tool Kit



**22** (x4)  
M4x12  
M4x30



**23** (x4)  
M6x20  
M6x35



**24** (x4)  
M8x20  
M8x35  
M8x45



**25** (x4)  
M4 Washer



**26** (x4)  
M6 Washer



**27** (x4)  
M8 Washer



**28** (x4)  
M4 Spacer



**29** (x8)  
M6/8 Spacer  
(5mm)

**NOTE: SOME HARDWARE INCLUDED MAY NOT BE USED**

## TOOLS NEEDED



DO NOT EXCEED WEIGHT CAPACITY.

Failure to do so may result in serious injury.



## **WARNING: CHOKING HAZARD**

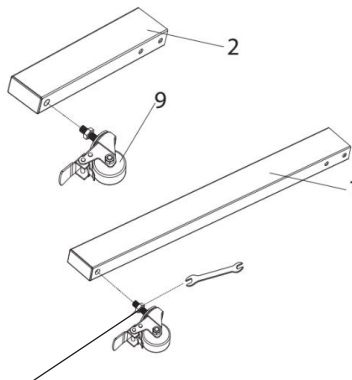
SMALL PARTS - NOT FOR CHILDREN UNDER 3 YEARS. ADULT SUPERVISION IS REQUIRED.

## ASSEMBLY STEPS

### STEP 1

Attach wheels **(9)** to the long and short square tubing **(1,2)** using the provided wrench **(21)**.

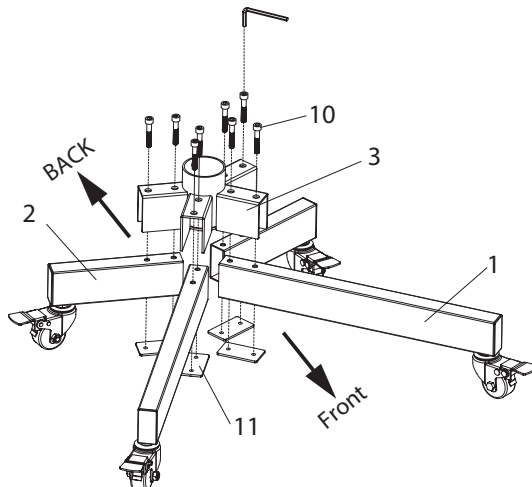
Use Tool kit(21)



Turn this nut to adjust the height of the wheel

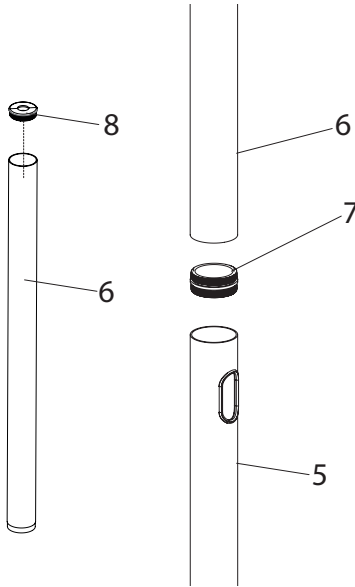
### STEP 2

Attach the square tubing **(1,2)** to the tube connector **(3)** using M6x60 Allen head bolt **(10)** and the M6 socket plate **(11)**.



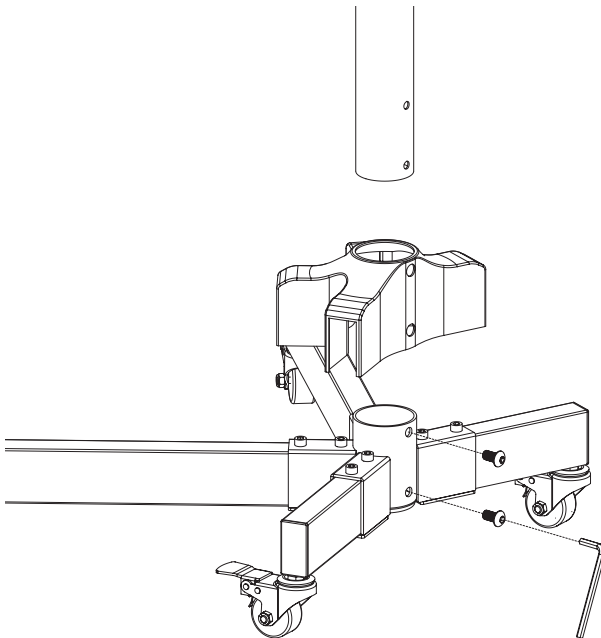
### STEP 3

Insert pole cover (8) into top of pole (6). Attach poles (5,6) using pole connector (7).



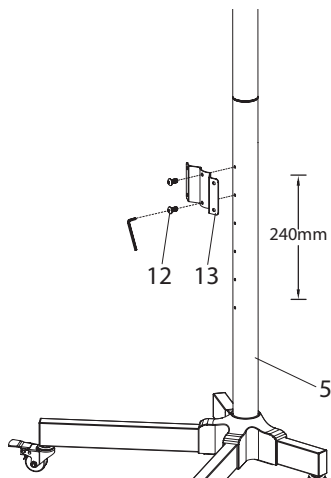
### STEP 4

Slide tube connector cover (4) over bottom of pole assembly and attach pole to base using M6x10 allen head bolts (12). Slide cover down over base.



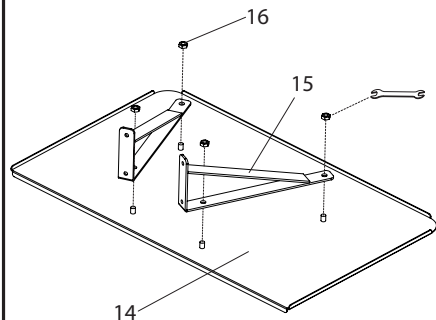
## STEP 5

Attach shelf support connecting plate **(13)** to pole **(5)** using M6x10 allen head bolts **(12)**.



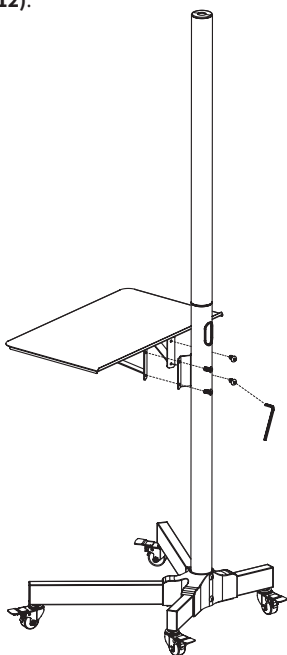
## STEP 6

Attach shelf supports **(15)** to shelf **(14)** using M6 nuts **(16)**.



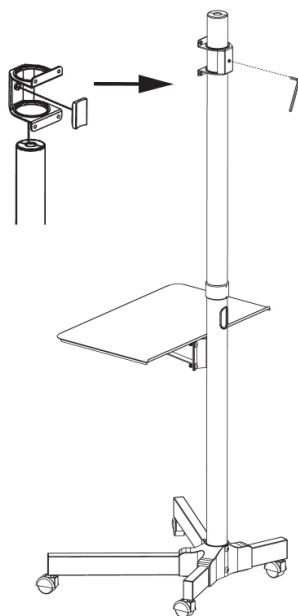
## STEP 7

Mount shelf **(14)** onto shelf support connecting plate **(13)** using M6x10 allen head bolts **(12)**.



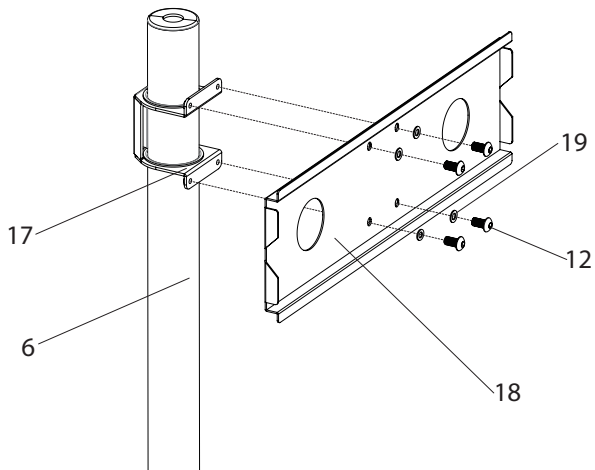
## STEP 8

Slide square plate connector and rubber pad **(17)** over top of pole **(6)** and tighten grub screw.



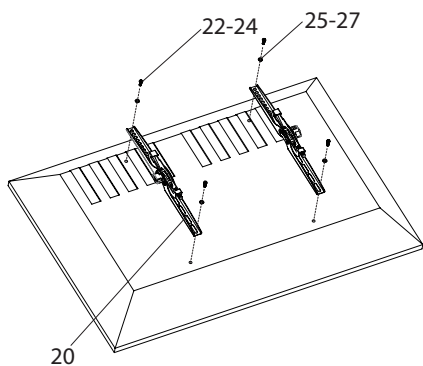
## STEP 9

Attach square plate (18) to square plate connector using M6x10 allen head bolts (12) and M6 washers (19).

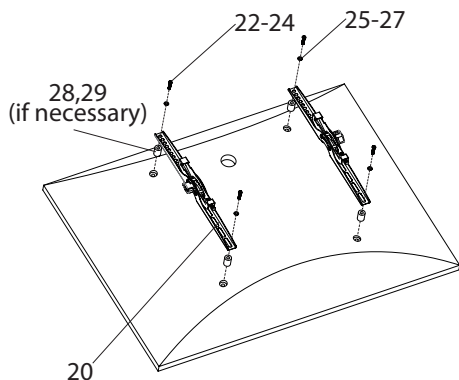


## STEP 10

**10-1:**  
Secure the TV arm set (20) to back of television using bolts (22-24) and washers (25-27).

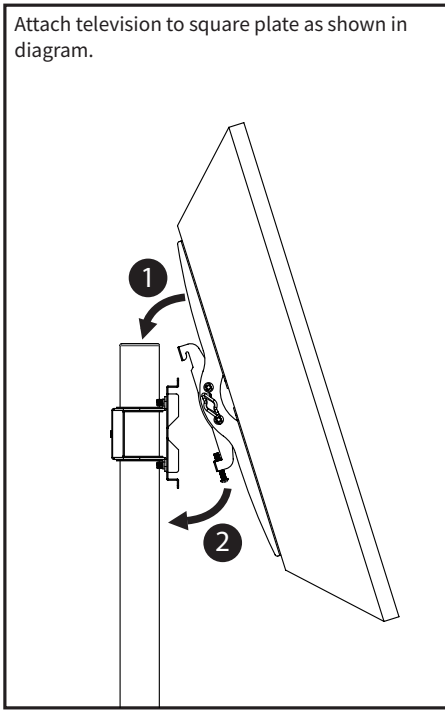


**10-2:**  
If necessary, use spacers (28,29).



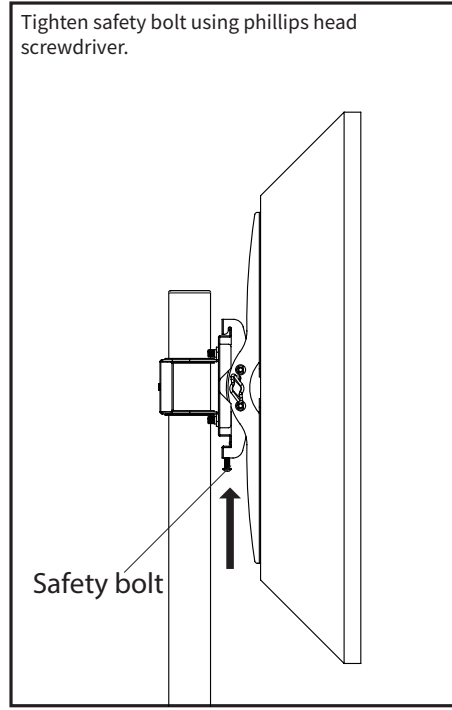
### STEP 11

Attach television to square plate as shown in diagram.



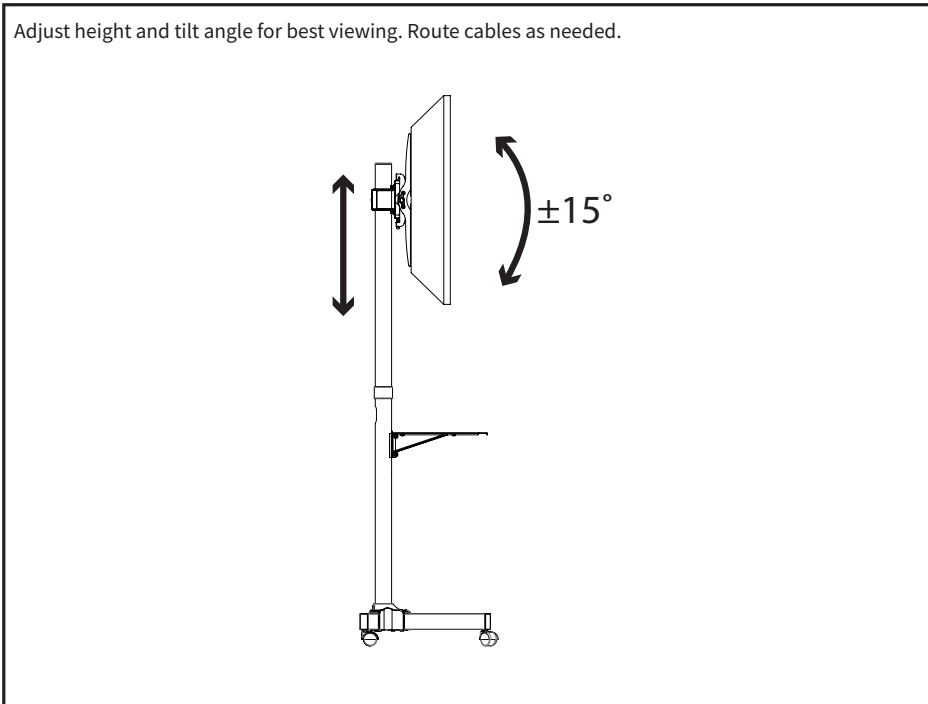
### STEP 12

Tighten safety bolt using phillips head screwdriver.



### STEP 13

Adjust height and tilt angle for best viewing. Route cables as needed.





Love your new VIVO setup and want to share?

Tag us in your photo! **@vivo\_us**

Last Updated: 07/30/2019



If any parts are received damaged or defective, please contact us. We are happy to replace parts to ensure you have a fully functioning product.



[help@vivo-us.com](mailto:help@vivo-us.com)



[www.vivo-us.com](http://www.vivo-us.com)



1-800-371-5654

For more VIVO products, check out our website at:  
[www.vivo-us.com](http://www.vivo-us.com).