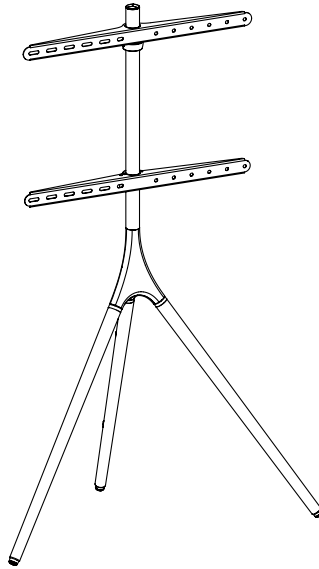


Black Easel Studio TV Stand

Instruction Manual



SKU: STAND-TV65A



Scan the QR code with your mobile device or follow the link for helpful videos and specifications related to this product.

<https://vivo-us.com/products/stand-tv65a>



help@vivo-us.com



www.vivo-us.com



1-800-371-5654

⚠️ WARNING!

If you do not understand these directions, or if you have any doubts about the safety of the installation, please call a qualified technician. Check carefully to make sure there are no missing or defective parts. Improper installation may cause damage or serious injury. Do not use this product for any purpose that is not explicitly specified in this manual. Do not exceed weight capacity. We cannot be liable for damage or injury caused by improper mounting, incorrect assembly or inappropriate use.

⚠️ TIPOVER WARNING

SERIOUS OR FATAL CRUSHING INJURIES CAN OCCUR FROM TIPOVER. TO HELP PREVENT TIPOVER:

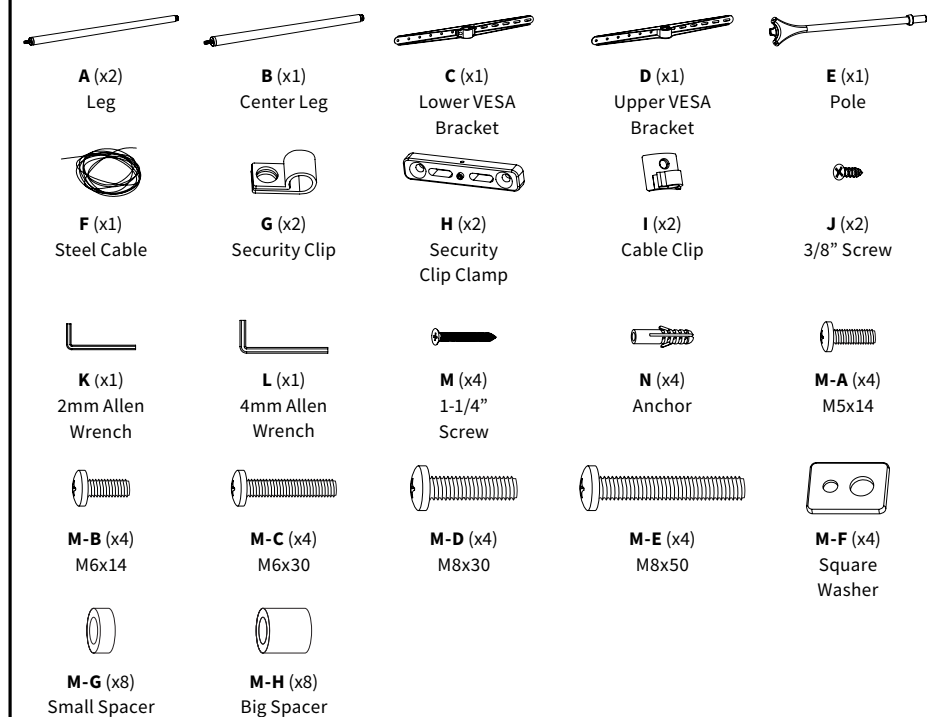
- NEVER ALLOW CHILDREN TO CLIMB, STAND, HANG, OR PLAY ON ANY PART OF TV OR STAND.
- USE TIPOVER RESTRAINT OR ANCHOR STAND TO WALL

USE OF TIPOVER RESTRAINTS MAY ONLY REDUCE, BUT NOT ELIMINATE RISK OF TIPOVER.

⚠️ WARNING: CHOKING HAZARD

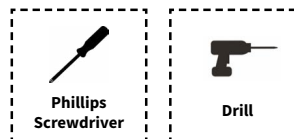
SMALL PARTS - NOT FOR CHILDREN UNDER 3 YEARS. ADULT SUPERVISION IS REQUIRED.

PACKAGE CONTENTS

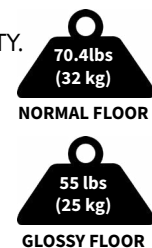


NOTE: SOME HARDWARE INCLUDED MAY NOT BE USED

TOOLS NEEDED



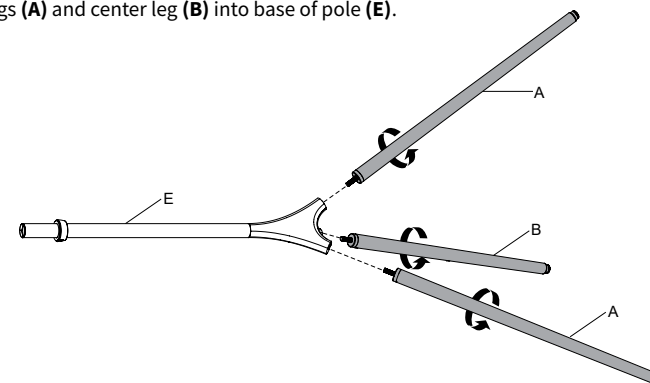
DO NOT EXCEED WEIGHT CAPACITY.
Failure to do so may result in serious injury.



ASSEMBLY STEPS

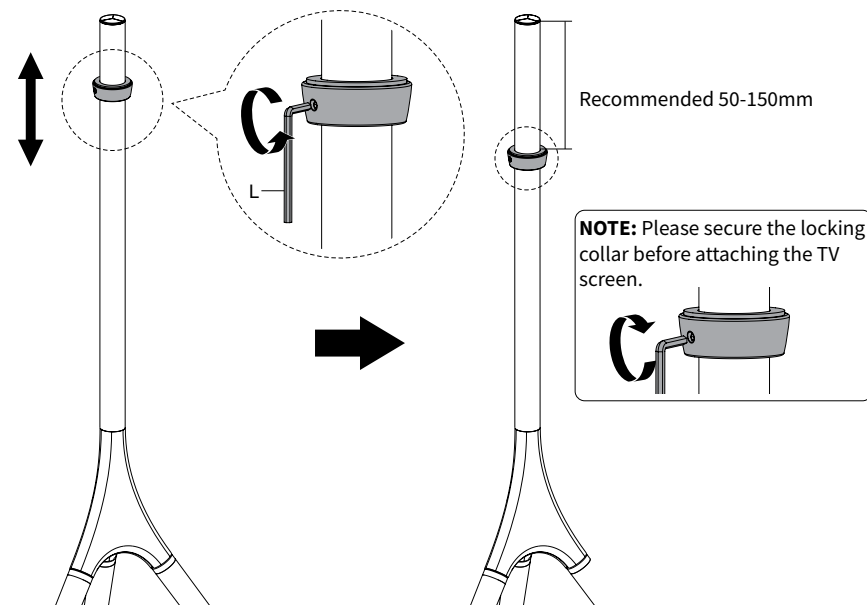
STEP 1

Screw side legs (A) and center leg (B) into base of pole (E).



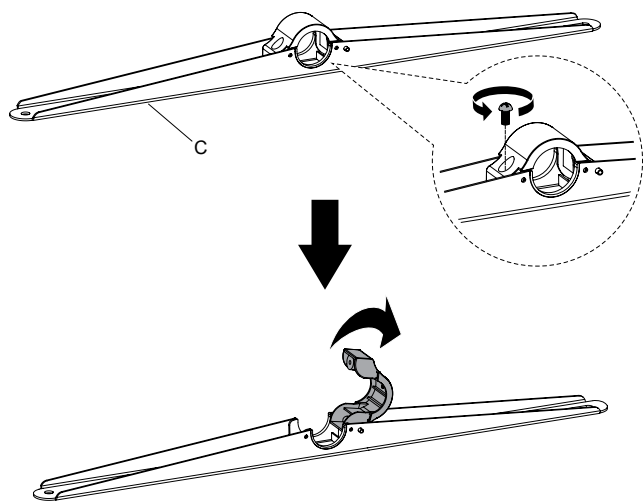
STEP 2

Adjust collar height using the 4mm Allen wrench (L).



STEP 3

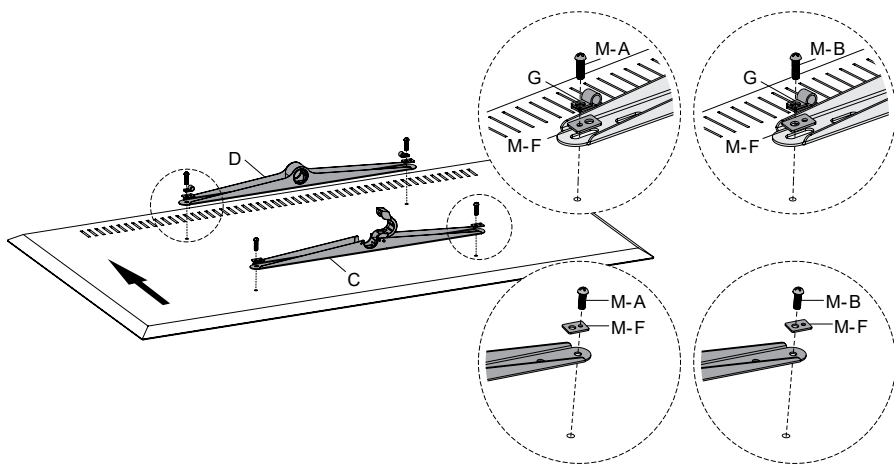
Remove screw from center clamp of lower VESA bracket (C) and open the clamp.



STEP 4

OPTION A: Flat Back Monitor

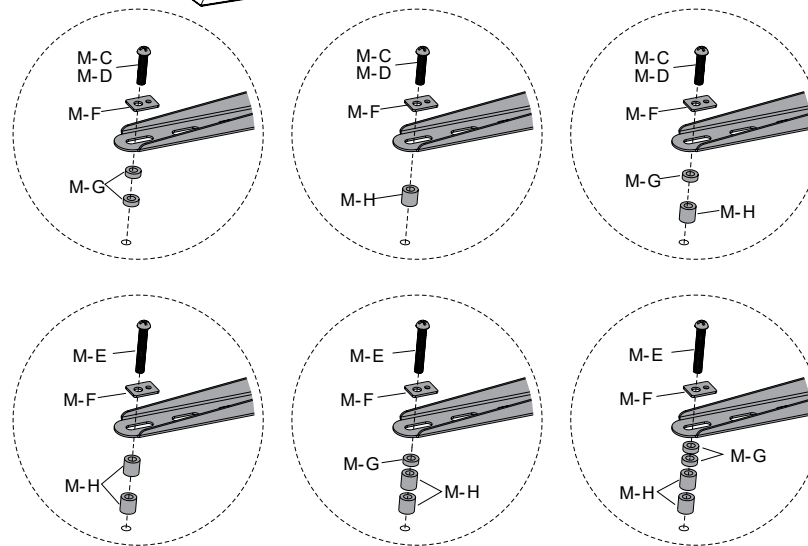
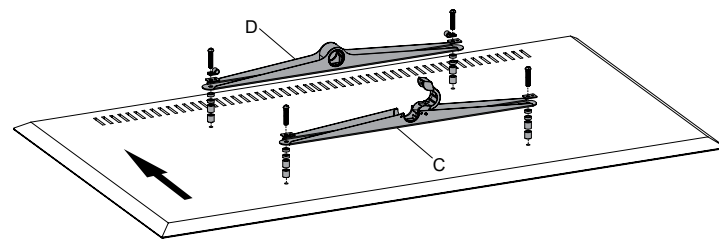
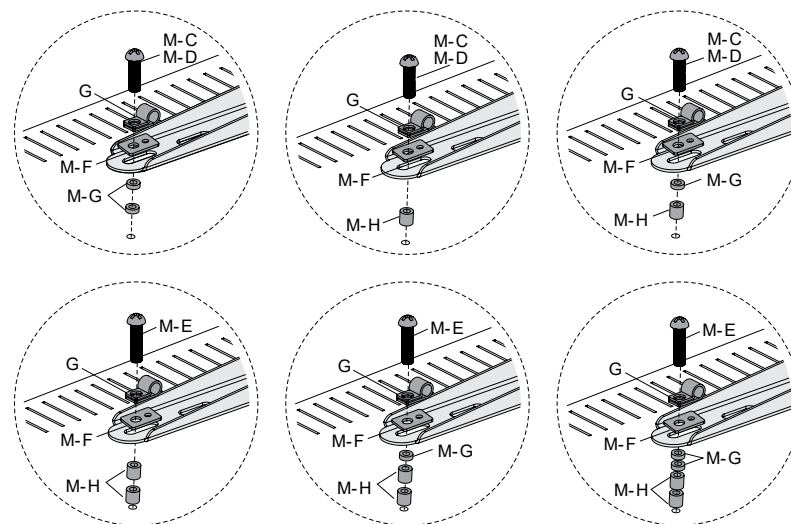
Position VESA brackets horizontally on the back of the TV, making sure upper bracket (D) is on top and lower bracket (C) is below. Secure using screws (M-A or M-B) with square washers (M-F), with security clips (G) installed to top holes.



STEP 4 (Continued)

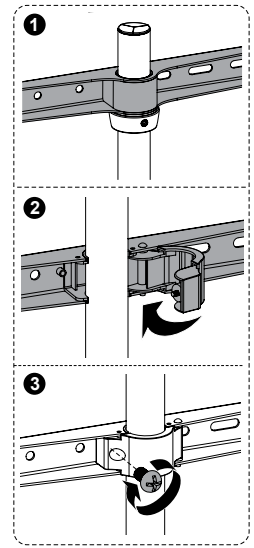
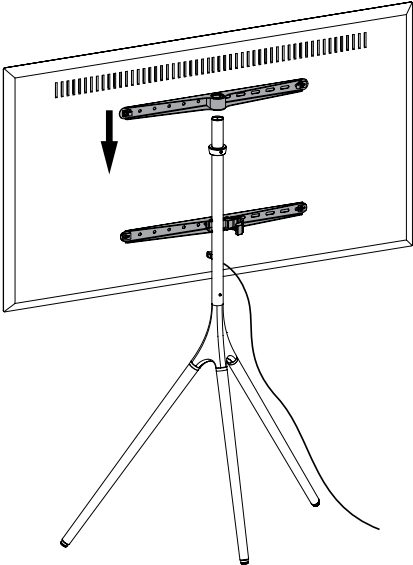
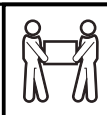
OPTION B: Large or Curved Back Monitor

Position VESA brackets horizontally on the back of the TV, making sure upper bracket (D) is on top and lower bracket (C) is below. Secure using screws (M-C, M-D or M-E) with square washers (M-F) and spacers (M-G, M-H) with security clips (G) installed to top holes.



STEP 5

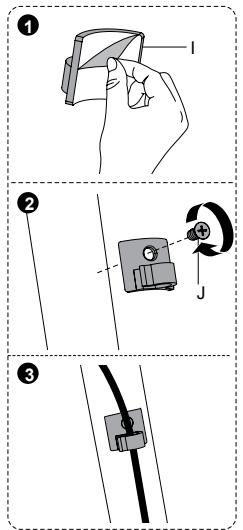
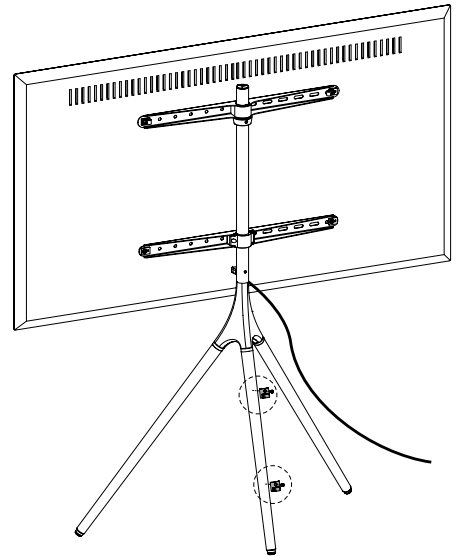
Slide the TV with VESA brackets (C, D) onto pole (E). Close the clamp on lower VESA bracket over the pole and secure with previously removed screw.



STEP 6

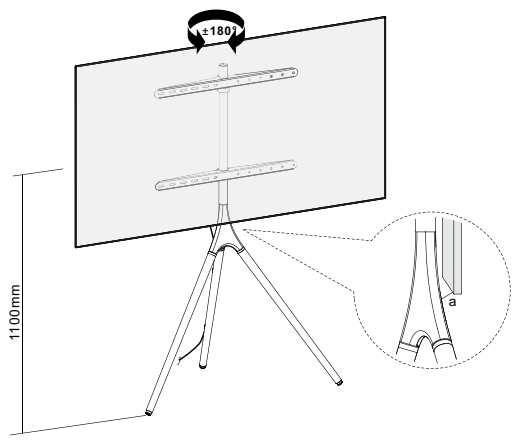
Peel backing from cable clips (I) and install clips on rear leg. Use clips to organize cables.

Optional: Secure cable clips using 3/8" screws (J). Screws are able to thread directly into wood without drilling pilot holes.



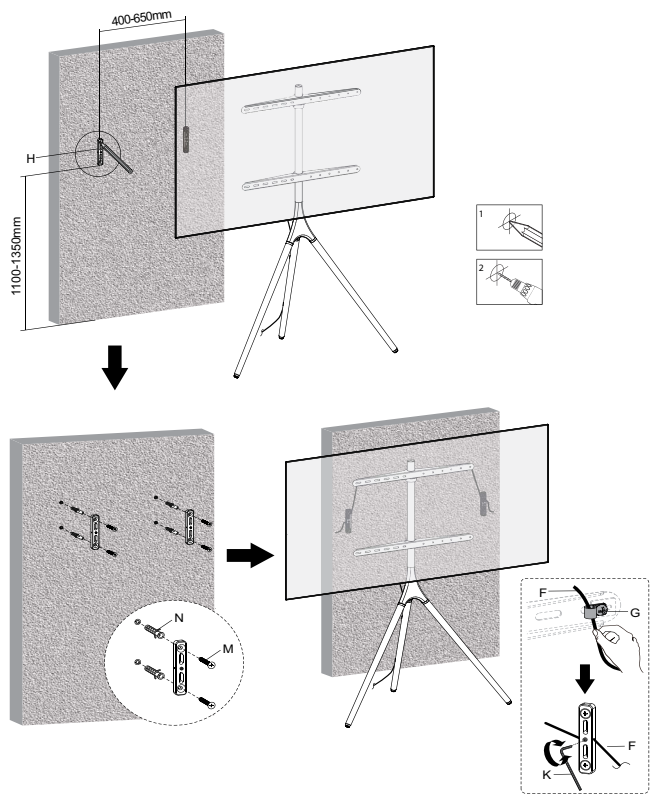
STEP 7

Adjust TV to desired height, making sure the bottom edge of the TV does not contact the base of the pole.



STEP 8

Using Security Cable Clamps (H) as guides, mark drilling locations on wall. Drill holes at least 1.6" (40mm) deep using a 9/32" (7mm) drill bit. Insert anchors (N) into holes and mount clamps to wall using 1-1/4" screws (M). Thread steel cable (F) through security clips on TV and center holes in cable clamps as shown, then tighten clamps using the 2mm Allen wrench (K).





Love your new VIVO setup and want to share?

Tag us in your photo! **@vivo_us**

Last Updated: 08/23/2019



If any parts are received damaged or defective, please contact us. We are happy to replace parts to ensure you have a fully functioning product.



help@vivo-us.com



www.vivo-us.com



1-800-371-5654

For more VIVO products, check out our website at:

www.vivo-us.com.