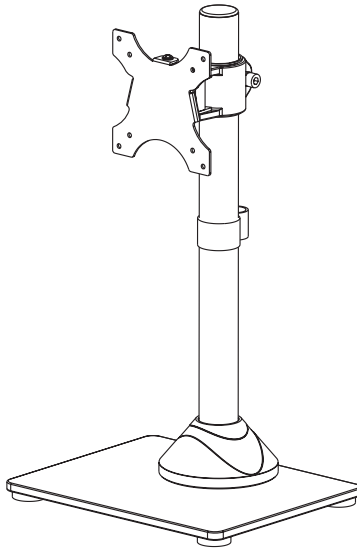




---

## Single Monitor Desk Stand

### Instruction Manual



**SKU: STAND-V001HG**



Scan the QR code with your mobile device or follow the link for helpful videos and specifications related to this product.

<https://vivo-us.com/products/stand-v001hg>



help@vivo-us.com



www.vivo-us.com



1-800-371-5654

## **WARNING!**

If you do not understand these directions, or if you have any doubts about the safety of the installation, please call a qualified technician. Check carefully to make sure there are no missing or defective parts. Improper installation may cause damage or serious injury. Do not use this product for any purpose that is not explicitly specified in this manual. Do not exceed weight capacity. We cannot be liable for damage or injury caused by improper mounting, incorrect assembly or inappropriate use.

## **TIPOVER WARNING**

SERIOUS OR FATAL CRUSHING INJURIES CAN OCCUR FROM TIPOVER. TO HELP PREVENT TIPOVER:

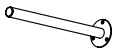
- NEVER ALLOW CHILDREN TO CLIMB, STAND, HANG, OR PLAY ON ANY PART OF MONITOR OR STAND.
- USE TIPOVER RESTRAINT OR ANCHOR STAND TO WALL

**USE OF TIPOVER RESTRAINTS MAY ONLY REDUCE, BUT NOT ELIMINATE RISK OF TIPOVER.**

## **WARNING: CHOKING HAZARD**

SMALL PARTS - NOT FOR CHILDREN UNDER 3 YEARS. ADULT SUPERVISION IS REQUIRED.

## PACKAGE CONTENTS



**a** (x1)  
Pole



**b** (x1)  
Glass Base



**c** (x1)  
Monitor Arm



**d** (x1)  
VESAs Plate



**e** (x1)  
Decorative Cover



**f** (x3)  
M6x10



**g** (x3)  
Connecting Bolt



**h** (x3)  
M8 Washer



**i** (x4)  
Rubber Feet



**j** (x1)  
Soft Pad



**k** (x1)  
Wire Clip



**l** (x1)  
M4x6



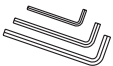
**m** (x4)  
M4x12



**n** (x4)  
M4x30



**o** (x4)  
M4 Spacer



**p** (x1)  
Allen Key

**NOTE:** NOT ALL HARDWARE INCLUDED WILL BE USED

## TOOLS NEEDED



DO NOT EXCEED WEIGHT CAPACITY.

Failure to do so may result in serious injury.

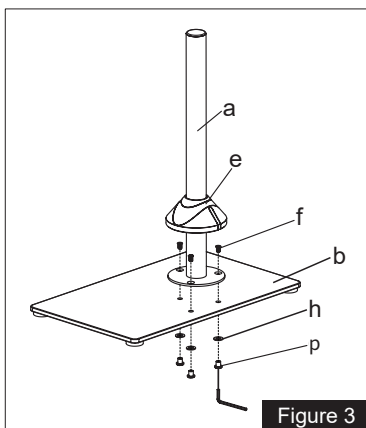
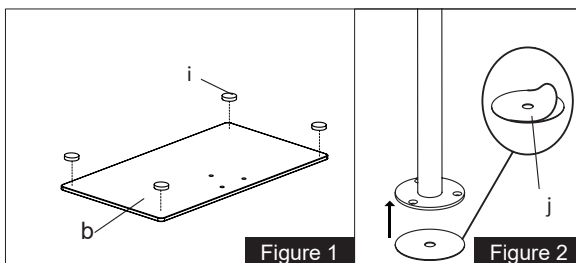


## ASSEMBLY STEPS

### STEP 1

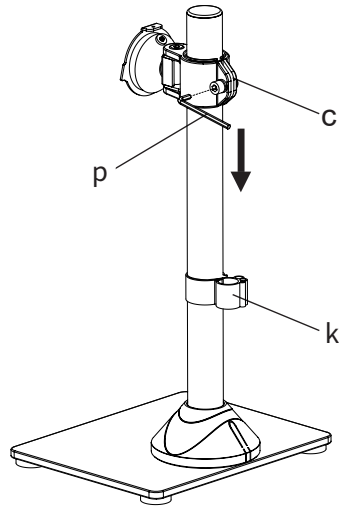
#### Weighted Base Installation

Attach Rubber Feet (**i**) to the underside of the Glass Base (**b**). See Figure 1. Attach Soft Pad (**j**) to the Pole (**a**). See Figure 2. Use a screwdriver to poke holes for screws through the pad. Install Pole to Glass Base using M6x10 Bolts (**f**), Connecting Bolts (**g**) and M8 Washers (**h**), and tighten with medium Allen Key (**p**) and screwdriver. Slide Decorative Cover (**e**) over the Pole. See Figure 3.



## STEP 2

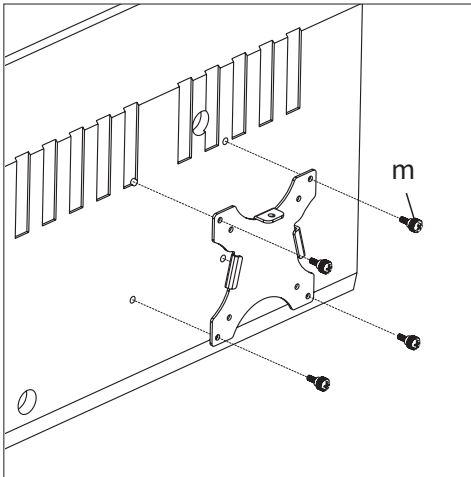
Install Monitor Arm (**c**) to the Pole (**a**). Fasten the bolt with supplied Allen Key (**p**). Attach the Wire Clip (**k**) to the Pole (**a**).



## STEP 3

### OPTION A: Flat Back Monitor

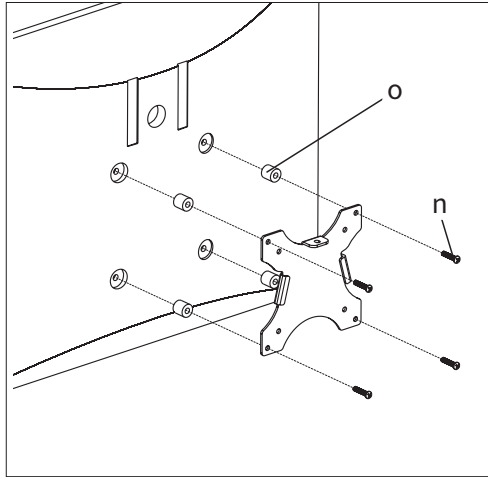
For monitor with flat back, attach VESA plate (**d**) to monitor using thumb screws (**m**).



## STEP 3 (Continued)

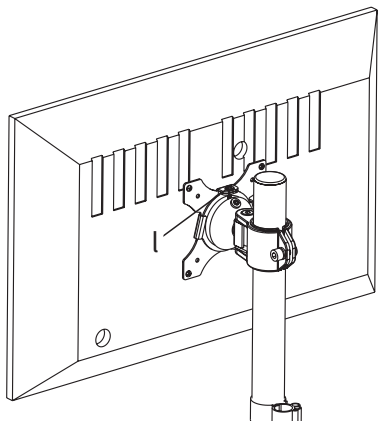
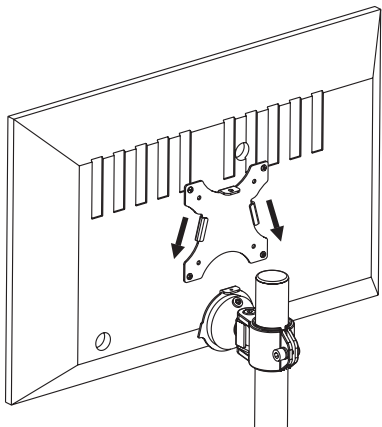
### OPTION B: Curved Back Monitor

For monitor with curved back, attach VESA plate (**d**) to monitor using M4x30 bolts (**n**) with spacers (**o**).



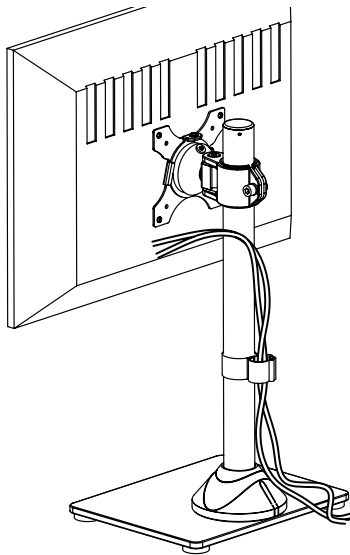
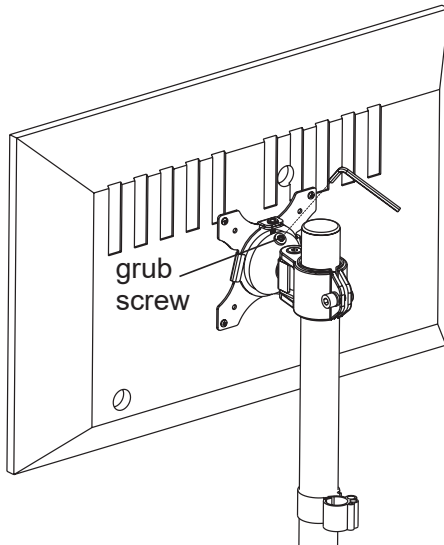
## STEP 4

Slide the monitor onto the head of Monitor Arm **(c)** as shown in the diagram. Secure the VESA Plate **(d)** using M4x6 Bolt **(l)**. Make sure the bolt is installed before you rotate the monitor.



## STEP 5

Tighten the grub screw in the Monitor Arm (**c**) using the small Allen Key (**p**) to fix the tilting angle. Manage the cables and store tools using the Wire Clip (**k**).





Love your new VIVO setup and want to share?

Tag us in your photo! **@vivo\_us**

Last Updated: 04/09/2019



If any parts are received damaged or defective, please contact us. We are happy to replace parts to ensure you have a fully functioning product.



[help@vivo-us.com](mailto:help@vivo-us.com)



[www.vivo-us.com](http://www.vivo-us.com)



1-800-371-5654

For more VIVO products, check out our website at:  
[www.vivo-us.com](http://www.vivo-us.com).