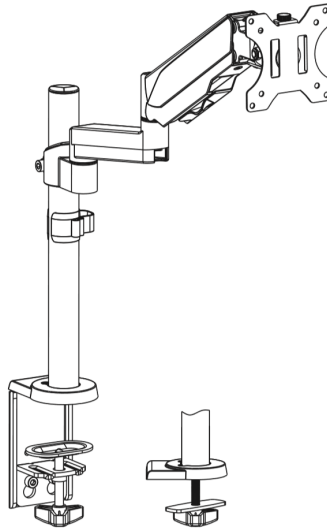


---

## Single Monitor Desk Mount

### Instruction Manual



**SKU: STAND-V001K**



Scan the QR code with your mobile device or follow the link for helpful videos and specifications related to this product.

<https://vivo-us.com/products/stand-v001k>



help@vivo-us.com



www.vivo-us.com



1-800-371-5654

**! WARNING!**

If you do not understand these directions, or if you have any doubts about the safety of the installation, please call a qualified technician. Check carefully to make sure there are no missing or defective parts. Improper installation may cause damage or serious injury. Do not use this product for any purpose that is not explicitly specified in this manual. Do not exceed weight capacity. We cannot be liable for damage or injury caused by improper mounting, incorrect assembly or inappropriate use.

**! TIPOVER WARNING**

SERIOUS OR FATAL CRUSHING INJURIES CAN OCCUR FROM TIPOVER. TO HELP PREVENT TIPOVER:

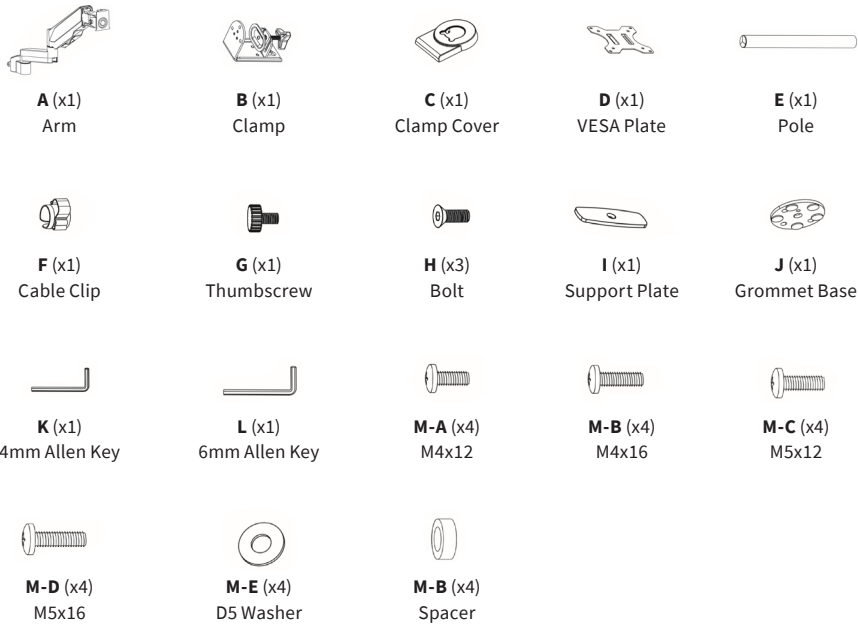
- NEVER ALLOW CHILDREN TO CLIMB, STAND, HANG, OR PLAY ON ANY PART OF MONITOR OR STAND.
- USE TIPOVER RESTRAINT OR ANCHOR STAND TO WALL

USE OF TIPOVER RESTRAINTS MAY ONLY REDUCE, BUT NOT ELIMINATE RISK OF TIPOVER.

**! WARNING: CHOKING HAZARD**

SMALL PARTS - NOT FOR CHILDREN UNDER 3 YEARS. ADULT SUPERVISION IS REQUIRED.

**PACKAGE CONTENTS**



**NOTE:** SOME HARDWARE INCLUDED MAY NOT BE USED

**TOOLS NEEDED**



DO NOT EXCEED WEIGHT CAPACITY.

Failure to do so may result in serious injury.

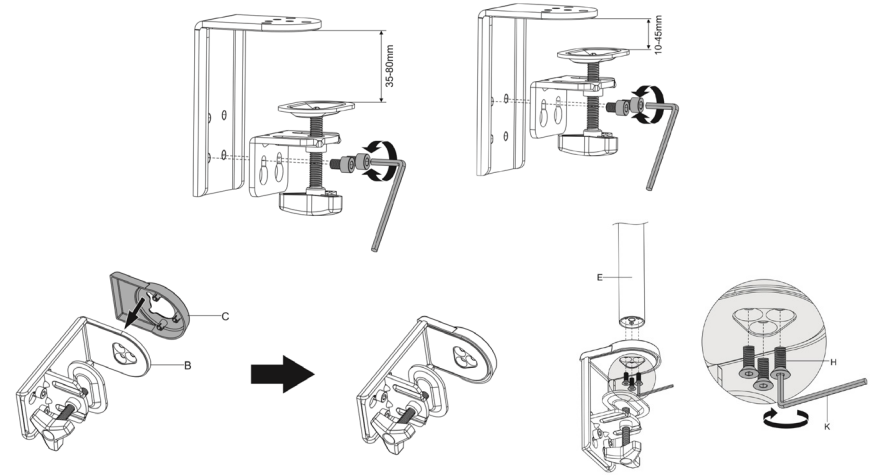


**ASSEMBLY STEPS**

**STEP 1**

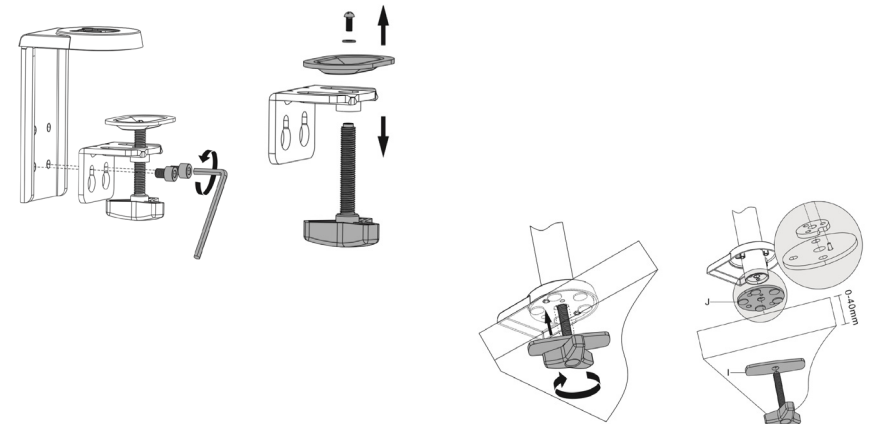
**OPTION A: Clamp Installation**

Adjust clamp (B) height according to thickness of desktop. Attach clamp cover (C) to clamp (B). Secure pole (E) to clamp (B) using three bolts (H). Tighten using 4mm Allen key (K).



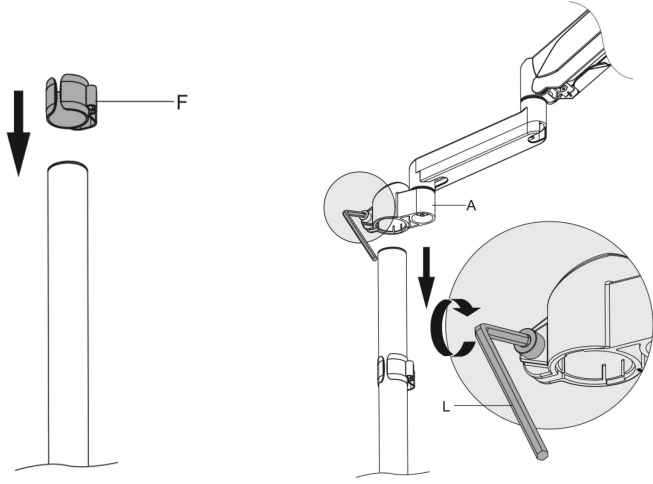
**OPTION B: Grommet Base Installation**

For grommet hole attachment, disassemble clamp (B) using 6mm Allen key (L) and a Phillips screwdriver. Attach base (J) and pole (E) to 3/8" (10mm) grommet hole in desktop using bolt from clamp (B) with plate (I).



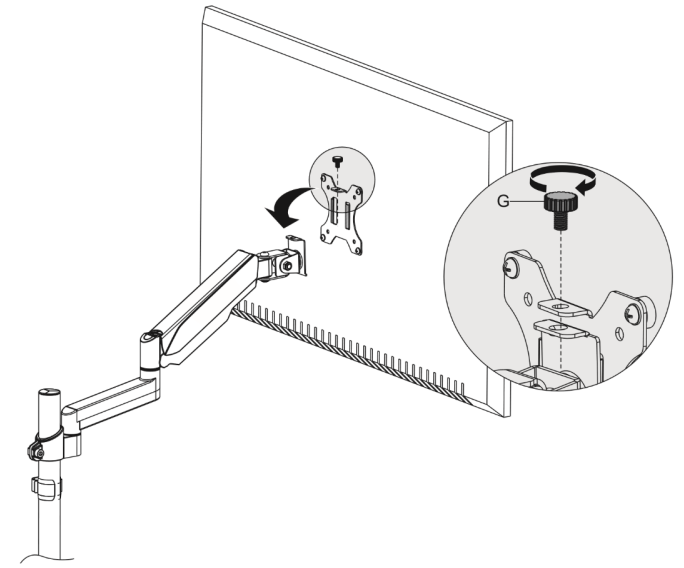
### STEP 3

Slide cable management clip (F) over top of pole (E). Slide monitor arm (A) over pole and tighten bolt using 6mm Allen key (L).



### STEP 5

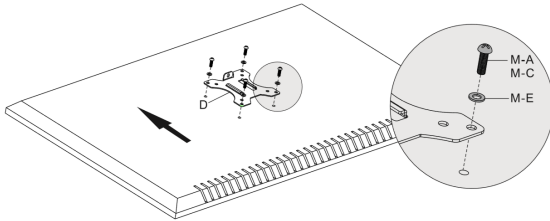
Slide VESA plate (D) with monitor over bracket on arm (A). Secure using the thumb screw (G).



### STEP 4

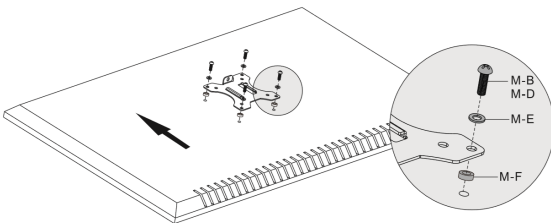
#### OPTION A: Flat Back Monitor

Attach VESA plate (D) to the back of the monitor using bolts (M-A, M-C) and washers (M-E).



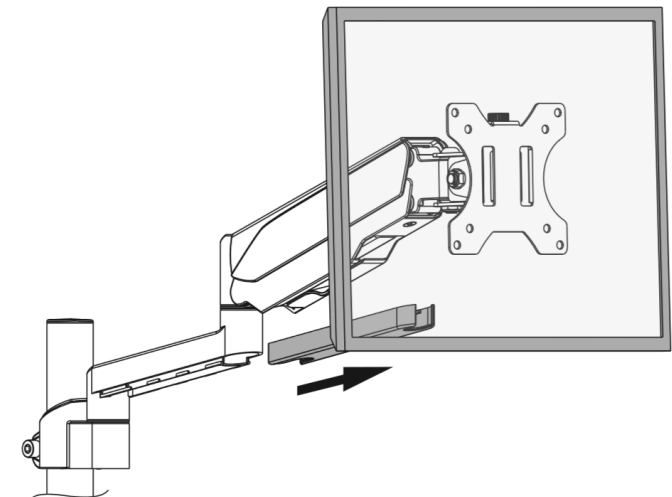
#### OPTION B: Curved Back Monitor

Attach VESA plate (D) to the back of the monitor using bolts (M-B, M-D), washers (M-E), and spacers (M-F).



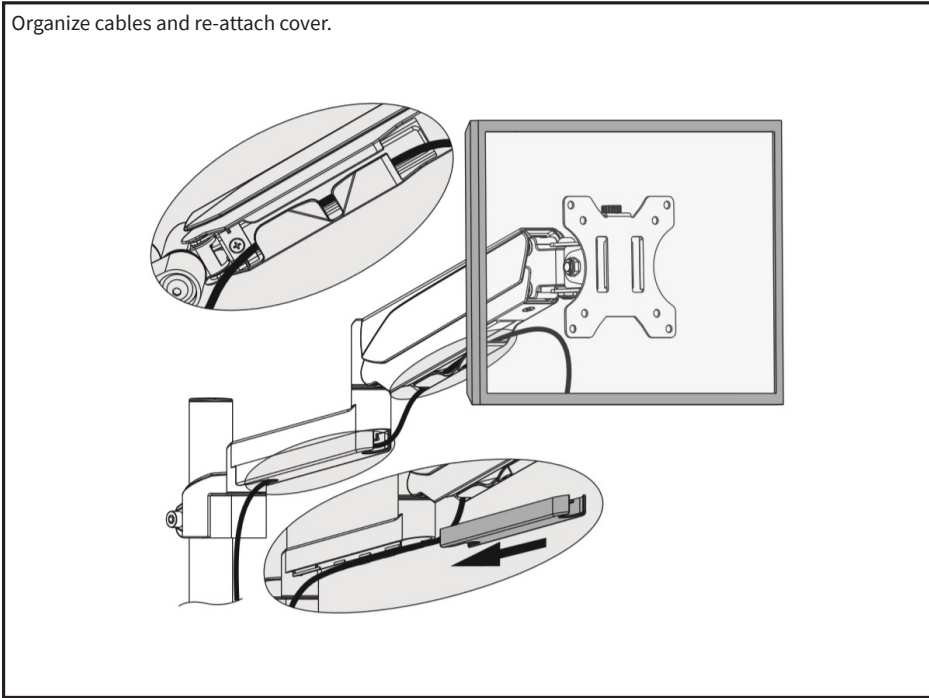
### STEP 6

Remove the bottom cover from arm (A).



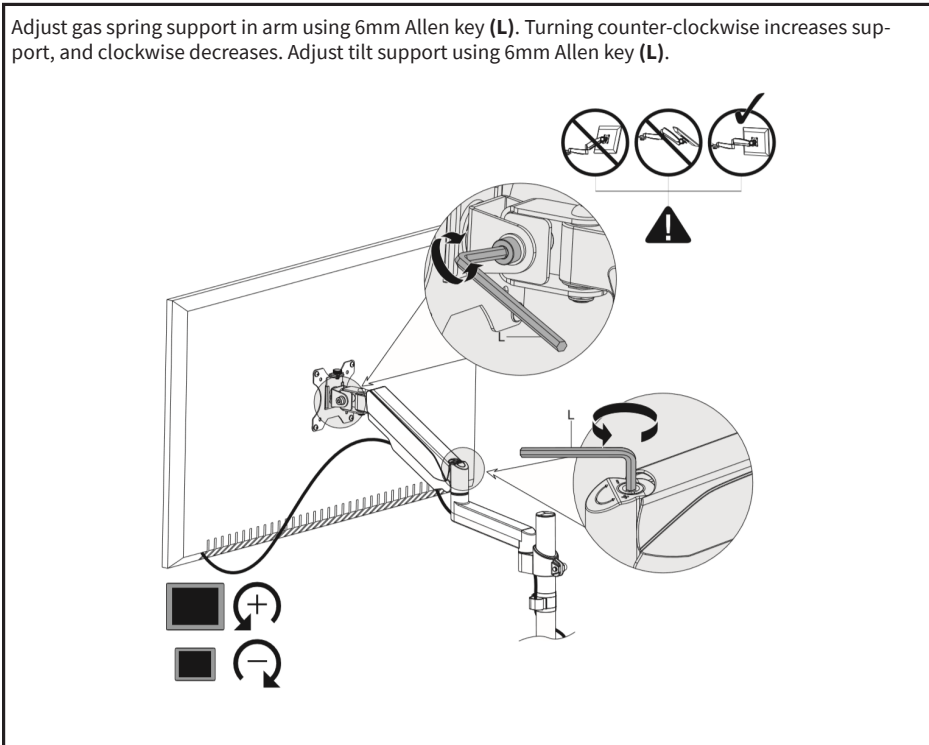
### STEP 7

Organize cables and re-attach cover.

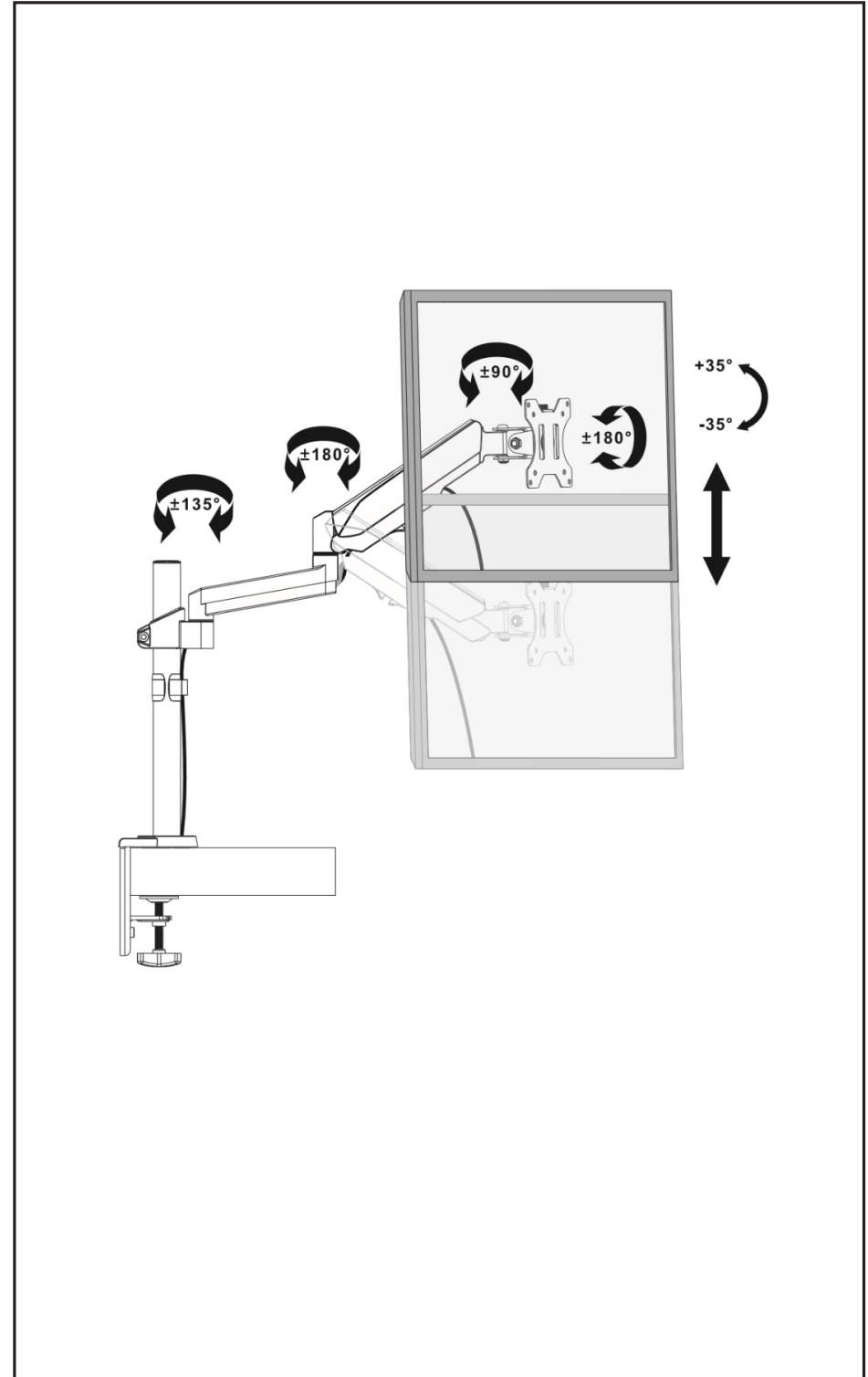


### STEP 8

Adjust gas spring support in arm using 6mm Allen key (L). Turning counter-clockwise increases support, and clockwise decreases. Adjust tilt support using 6mm Allen key (L).



### Adjust as Desired





Love your new VIVO setup and want to share?

Tag us in your photo! **@vivo\_us**

Last Updated: 12/05/2018



If any parts are received damaged or defective, please contact us. We are happy to replace parts to ensure you have a fully functioning product.



[help@vivo-us.com](mailto:help@vivo-us.com)



[www.vivo-us.com](http://www.vivo-us.com)



1-800-371-5654

For more VIVO products, check out our website at:  
[www.vivo-us.com](http://www.vivo-us.com).