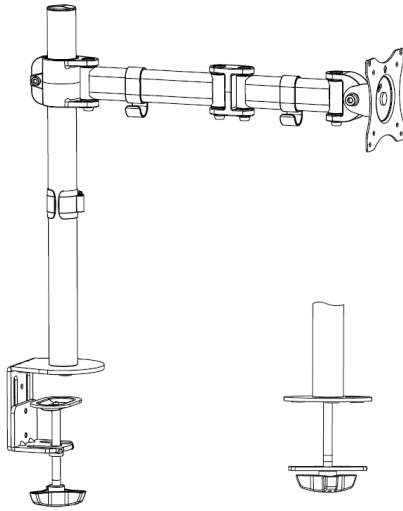


Single Monitor Desk Stand

Instruction Manual



SKU: STAND-V001M



Scan the QR code with your mobile device or follow the link for helpful videos and specifications related to this product.

<https://vivo-us.com/products/stand-v001m>



help@vivo-us.com



www.vivo-us.com



1-800-371-5654

⚠ WARNING!

If you do not understand these directions, or if you have any doubts about the safety of the installation, please call a qualified technician. Check carefully to make sure there are no missing or defective parts. Improper installation may cause damage or serious injury. Do not use this product for any purpose that is not explicitly specified in this manual. Do not exceed weight capacity. We cannot be liable for damage or injury caused by improper mounting, incorrect assembly or inappropriate use.

⚠ TIPOVER WARNING

SERIOUS OR FATAL CRUSHING INJURIES CAN OCCUR FROM TIPOVER. TO HELP PREVENT TIPOVER:

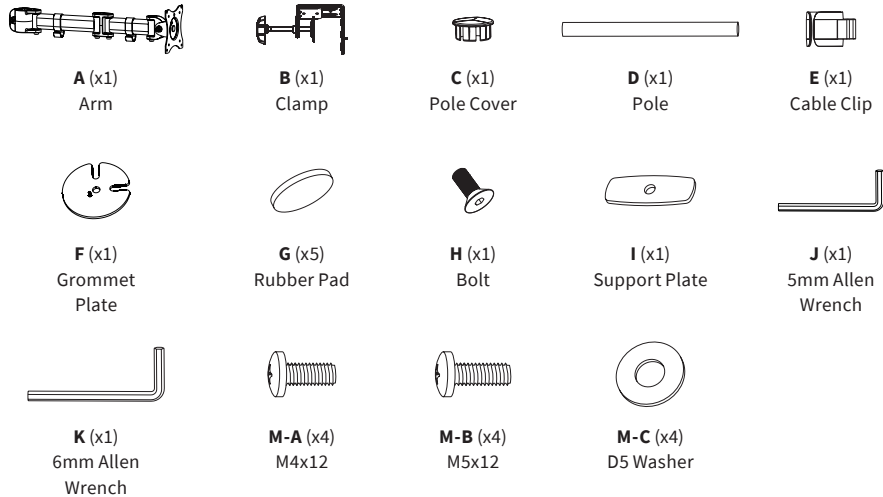
- NEVER ALLOW CHILDREN TO CLIMB, STAND, HANG, OR PLAY ON ANY PART OF MONITOR OR STAND.
- USE TIPOVER RESTRAINT OR ANCHOR STAND TO WALL

USE OF TIPOVER RESTRAINTS MAY ONLY REDUCE, BUT NOT ELIMINATE RISK OF TIPOVER.

⚠ WARNING: CHOKING HAZARD

SMALL PARTS - NOT FOR CHILDREN UNDER 3 YEARS. ADULT SUPERVISION IS REQUIRED.

PACKAGE CONTENTS



NOTE: NOT ALL HARDWARE INCLUDED WILL BE USED

TOOLS NEEDED



DO NOT EXCEED WEIGHT CAPACITY.

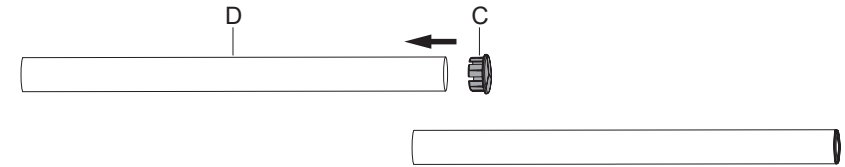
Failure to do so may result in serious injury.



ASSEMBLY STEPS

STEP 1

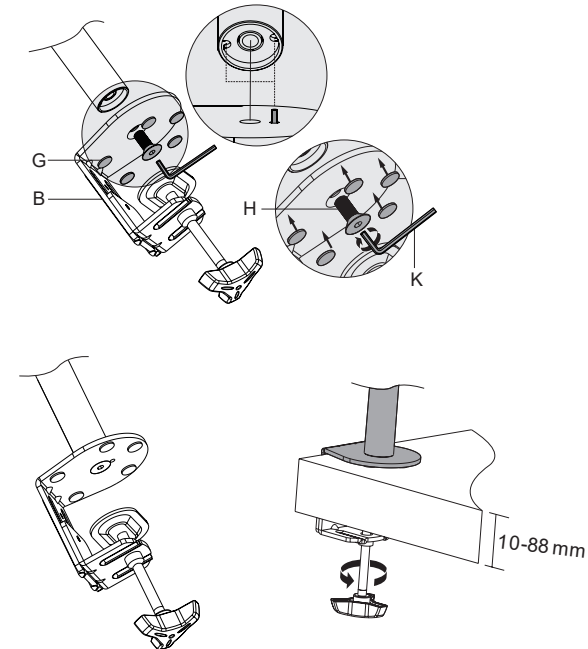
Attach plastic cap (C) to the top of pole (D).



STEP 2

OPTION A: Clamp Installation

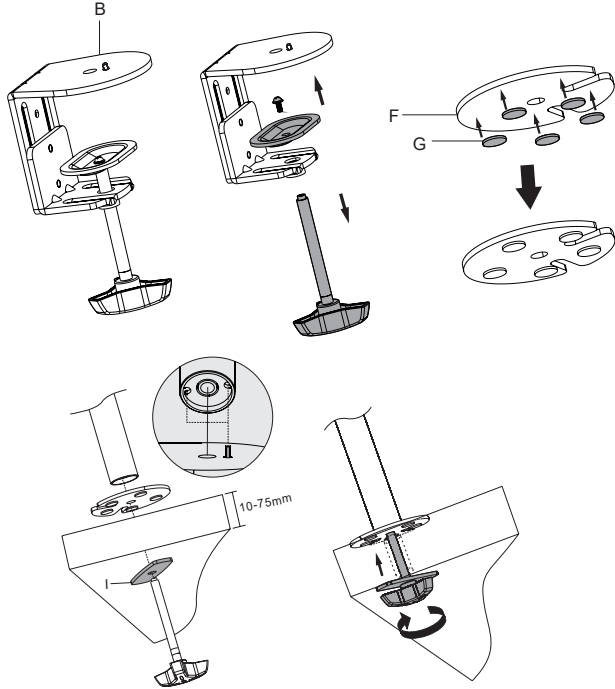
Stick rubber pads (G) to the underside of clamp (B). Attach pole (D) to clamp (B) using bolt (H). Tighten using 6mm allen key (K). Attach clamp (B) to desktop.



STEP 2 (Continued)

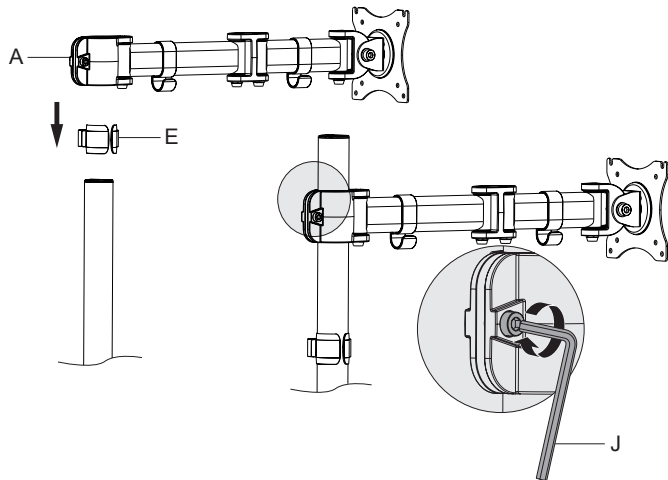
OPTION B: Grommet Base Installation

For grommet hole mounting, remove screw in top of bolt on clamp (B). Stick rubber pads (G) to bottom of grommet base (F). Attach metal plate (I) to bolt and run through grommet hole into grommet base (F) and thread into pole (D) as shown in diagram.



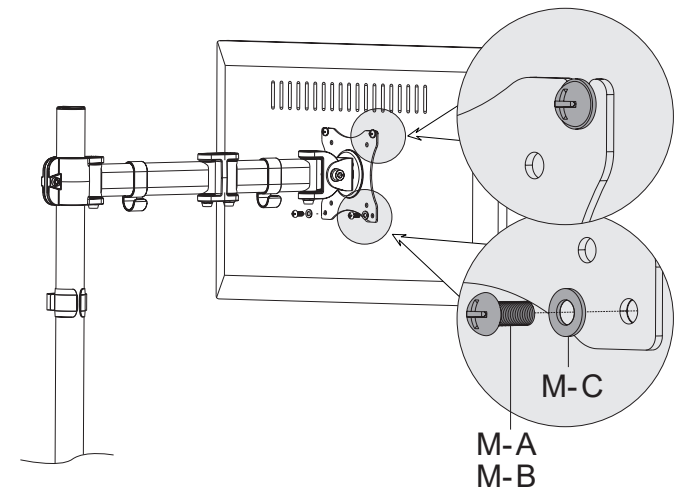
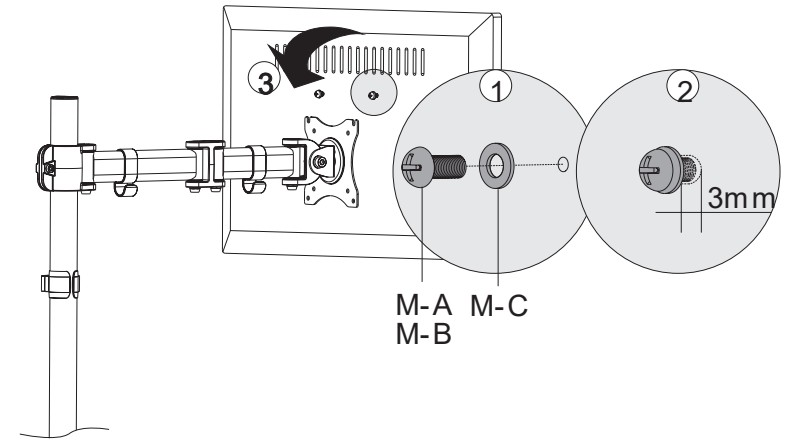
STEP 3

Slide cable management clip (E) and arm (A) onto pole (D) and tighten using 5mm allen key (J).



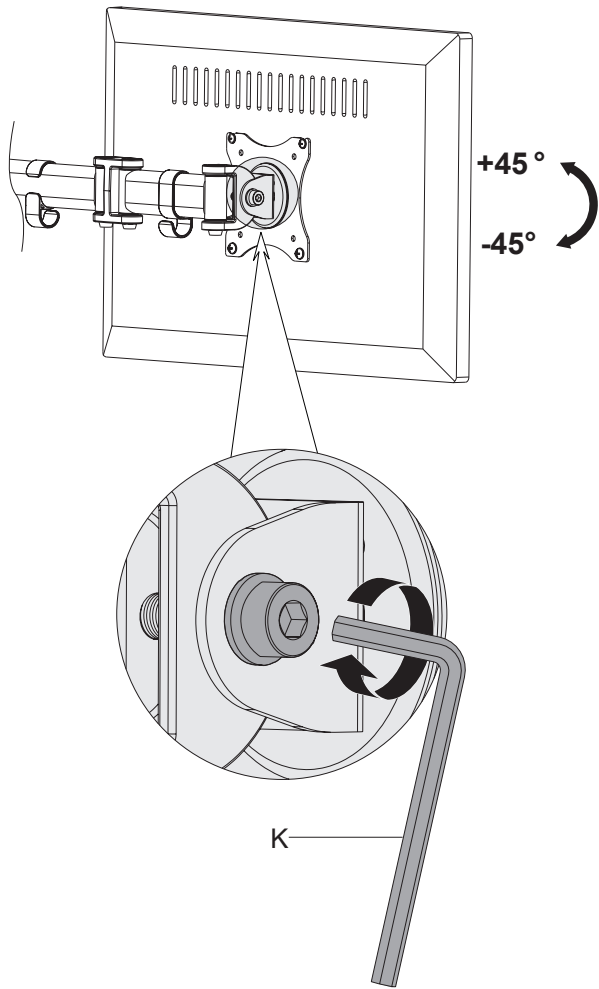
STEP 4

Attach two bolts (M-A or M-B) and washers (M-C) to top mounting holes of monitor, making sure to leave 3mm of threads exposed. Align bolts (M-A, M-B) in VESA plate. Secure using two more bolts (M-A or M-B) and washers (M-C) in the bottom two holes. Tighten all four bolts using phillips screwdriver.



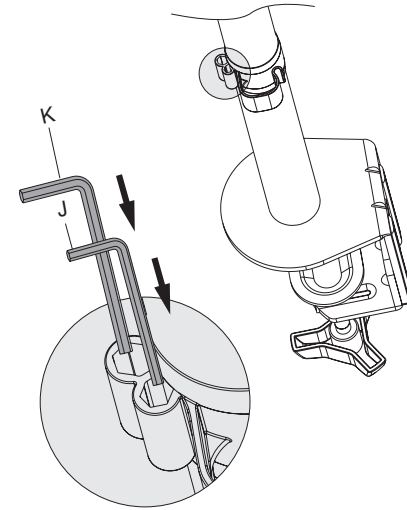
STEP 5

Adjust tension in monitor bracket with 6mm allen key (**K**) as shown in diagram.

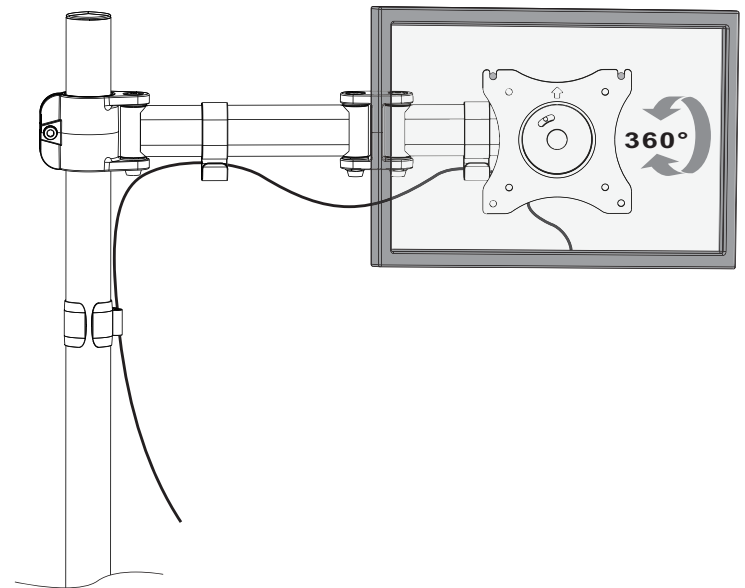


STEP 6

Store allen keys (**K,J**) in cable management clip (**E**) for future adjustment.



Adjust as Desired





Love your new VIVO setup and want to share?

Tag us in your photo! **@vivo_us**

Last Updated: 11/21/2018



If any parts are received damaged or defective, please contact us. We are happy to replace parts to ensure you have a fully functioning product.



help@vivo-us.com



www.vivo-us.com



1-800-371-5654

For more VIVO products, check out our website at:
www.vivo-us.com.