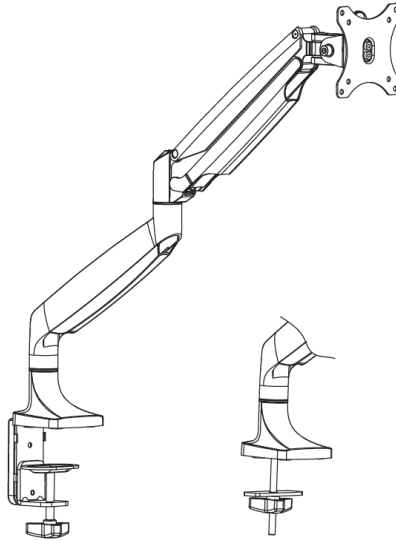


---

## Single Monitor Counterbalance Desk Mount

### Instruction Manual



**SKU: STAND-V001Q**



Scan the QR code with your mobile device or follow the link for helpful videos and specifications related to this product.

<https://vivo-us.com/products/stand-v001q>



help@vivo-us.com



www.vivo-us.com



1-800-371-5654

**WARNING!**

If you do not understand these directions, or if you have any doubts about the safety of the installation, please call a qualified technician. Check carefully to make sure there are no missing or defective parts. Improper installation may cause damage or serious injury. Do not use this product for any purpose that is not explicitly specified in this manual. Do not exceed weight capacity. We cannot be liable for damage or injury caused by improper mounting, incorrect assembly or inappropriate use.

**TIPOVER WARNING**

SERIOUS OR FATAL CRUSHING INJURIES CAN OCCUR FROM TIPOVER. TO HELP PREVENT TIPOVER:

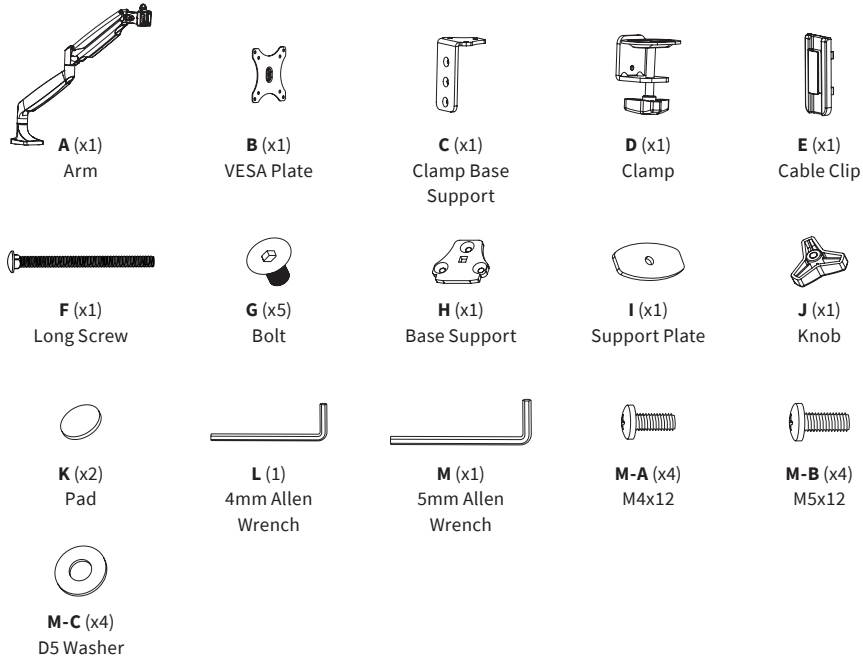
- NEVER ALLOW CHILDREN TO CLIMB, STAND, HANG, OR PLAY ON ANY PART OF MONITOR OR STAND.
- USE TIPOVER RESTRAINT OR ANCHOR STAND TO WALL

USE OF TIPOVER RESTRAINTS MAY ONLY REDUCE, BUT NOT ELIMINATE RISK OF TIPOVER.

**WARNING: CHOKING HAZARD**

SMALL PARTS - NOT FOR CHILDREN UNDER 3 YEARS. ADULT SUPERVISION IS REQUIRED.

**PACKAGE CONTENTS**



**NOTE:** NOT ALL HARDWARE INCLUDED WILL BE USED

**TOOLS NEEDED**



DO NOT EXCEED WEIGHT CAPACITY.

Failure to do so may result in serious injury.

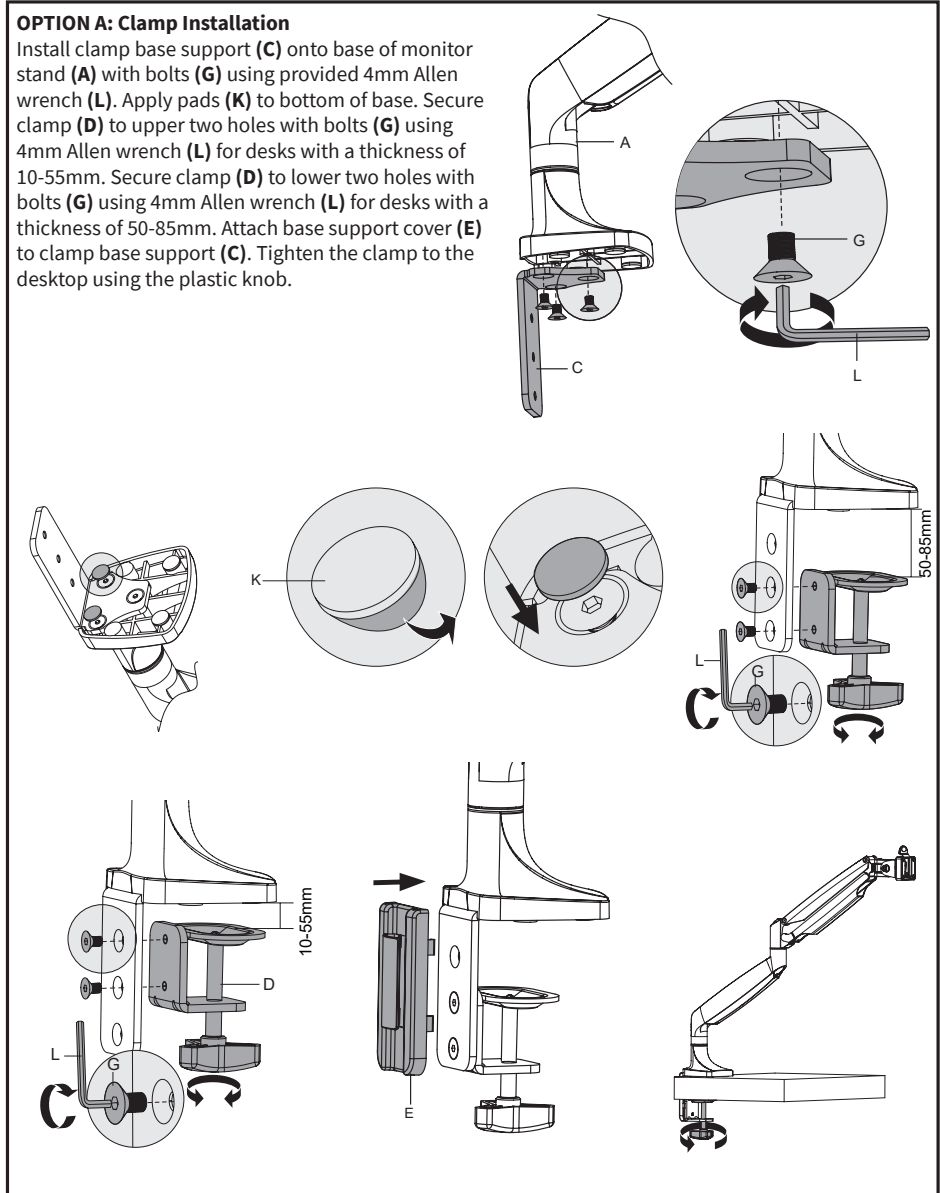


**ASSEMBLY STEPS**

**STEP 1**

**OPTION A: Clamp Installation**

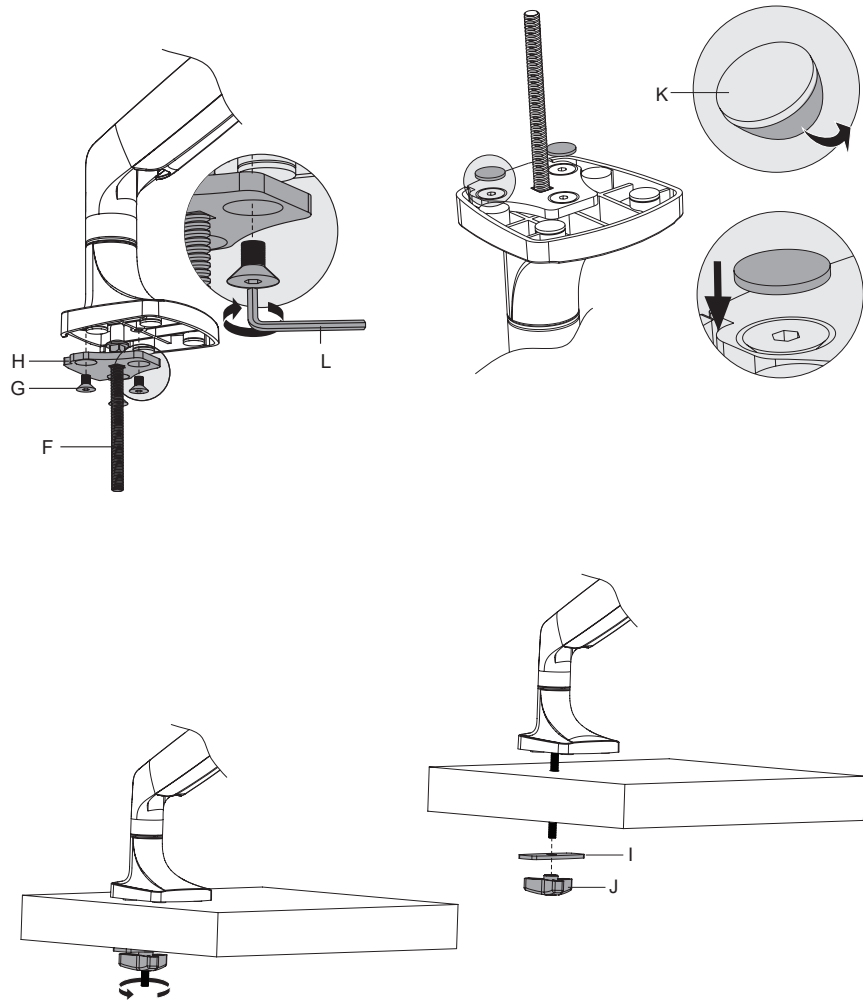
Install clamp base support (C) onto base of monitor stand (A) with bolts (G) using provided 4mm Allen wrench (L). Apply pads (K) to bottom of base. Secure clamp (D) to upper two holes with bolts (G) using 4mm Allen wrench (L) for desks with a thickness of 10-55mm. Secure clamp (D) to lower two holes with bolts (G) using 4mm Allen wrench (L) for desks with a thickness of 50-85mm. Attach base support cover (E) to clamp base support (C). Tighten the clamp to the desktop using the plastic knob.



## STEP 1 (Continued)

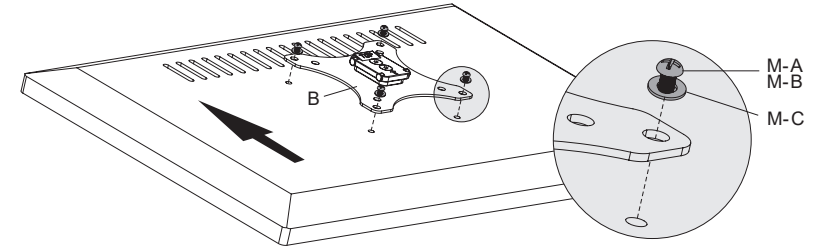
### OPTION B: Grommet Base Installation

Slide long screw (F) through the top of the grommet base support (H) and install on base of monitor stand with bolts (G) using 4mm Allen wrench (L). Apply pads (K) to bottom of base. Position stand on desk with long screw through hole, and secure by using the support plate (I) and clamp knob (J) on underside of the mounting surface.



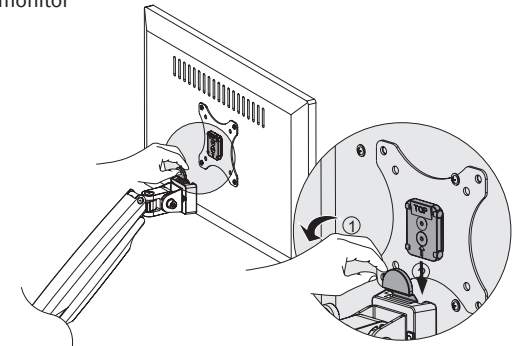
## STEP 2

Position VESA plate (B) on back of monitor and secure with screws (M-A) or (M-B) with (M-C) washers.



## STEP 3

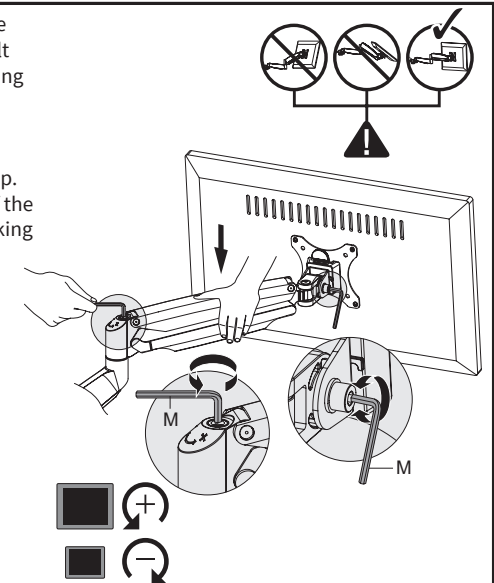
Pull back latch on monitor arm, and slide monitor into place.



## STEP 4

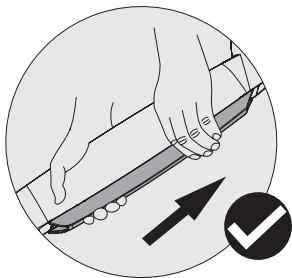
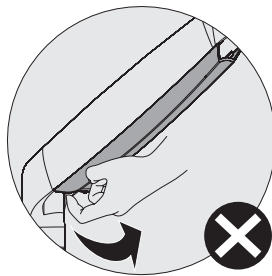
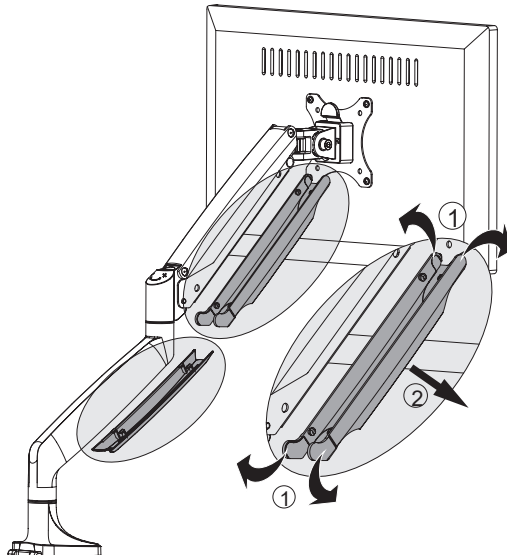
If needed, adjust the bolt on the side of the hinge behind the VESA plate to tighten or loosen the tilt angle support. Adjust gas spring tension by turning screw with 6mm Allen wrench (M). Clockwise reduces tension, counter-clockwise increases tension. The tension should be just enough to hold your monitor in place without lifting itself up.

**NOTE:** Tighten the socket set screw on the top of the gas spring adjustment screw if the joints are making a popping sound.



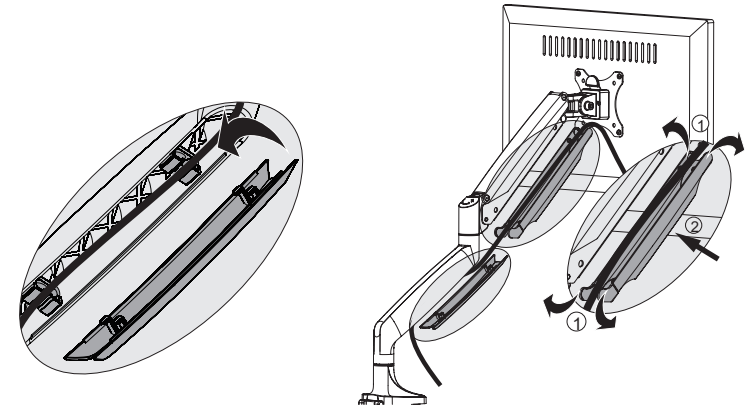
### STEP 5

Remove cable covers as shown from upper and lower arms.



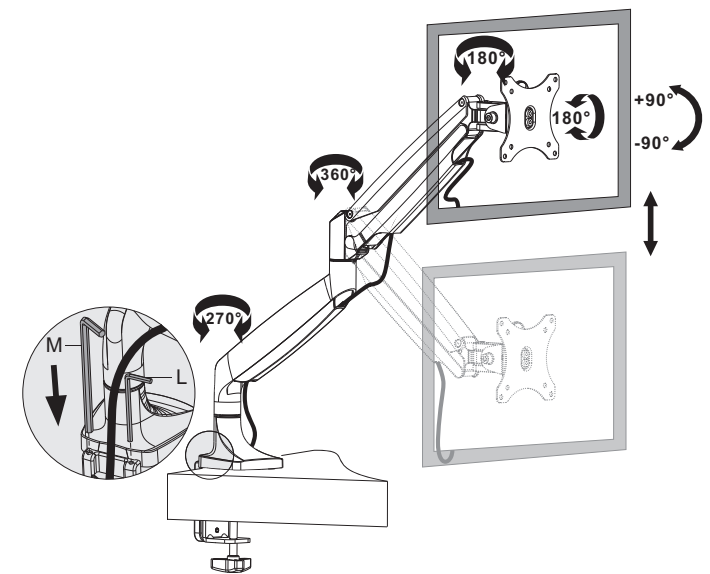
### STEP 6

Replace covers making sure the cables have enough slack to allow free movement of the arm.



### STEP 7

Store tools in base support cover (E) if clamp option is used.





Love your new VIVO setup and want to share?

Tag us in your photo! **@vivo\_us**

Last Updated: 11/26/2018



If any parts are received damaged or defective, please contact us. We are happy to replace parts to ensure you have a fully functioning product.



[help@vivo-us.com](mailto:help@vivo-us.com)



[www.vivo-us.com](http://www.vivo-us.com)



1-800-371-5654

For more VIVO products, check out our website at:  
[www.vivo-us.com](http://www.vivo-us.com).