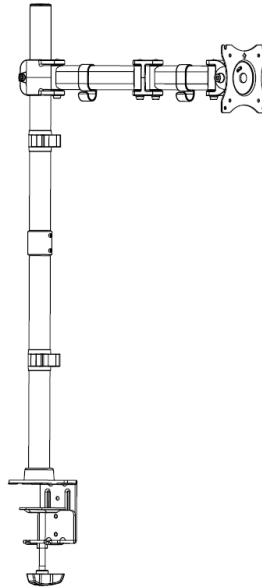




Single Monitor Extra Tall Desk Mount

Instruction Manual



SKU: STAND-V001T



Scan the QR code with your mobile device or follow the link for helpful videos and specifications related to this product.

<https://vivo-us.com/products/stand-v001t>



help@vivo-us.com



www.vivo-us.com



1-800-371-5654

! WARNING!

If you do not understand these directions, or if you have any doubts about the safety of the installation, please call a qualified technician. Check carefully to make sure there are no missing or defective parts. Improper installation may cause damage or serious injury. Do not use this product for any purpose that is not explicitly specified in this manual. Do not exceed weight capacity. We cannot be liable for damage or injury caused by improper mounting, incorrect assembly or inappropriate use.

! TIPOVER WARNING

SERIOUS OR FATAL CRUSHING INJURIES CAN OCCUR FROM TIPOVER. TO HELP PREVENT TIPOVER:

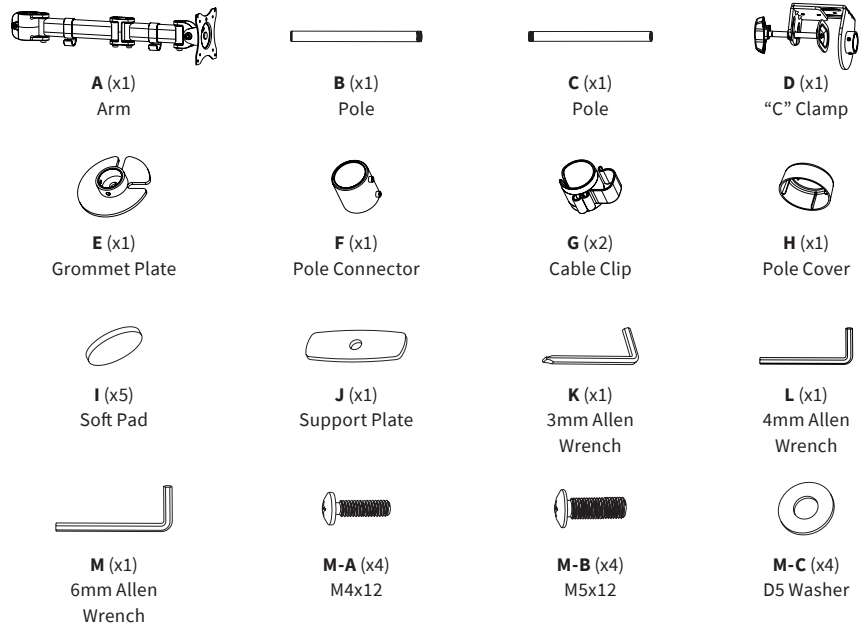
- NEVER ALLOW CHILDREN TO CLIMB, STAND, HANG, OR PLAY ON ANY PART OF MONITOR OR STAND.
- USE TIPOVER RESTRAINT OR ANCHOR STAND TO WALL

USE OF TIPOVER RESTRAINTS MAY ONLY REDUCE, BUT NOT ELIMINATE RISK OF TIPOVER.

! WARNING: CHOKING HAZARD

SMALL PARTS - NOT FOR CHILDREN UNDER 3 YEARS. ADULT SUPERVISION IS REQUIRED.

PACKAGE CONTENTS



NOTE: NOT ALL HARDWARE INCLUDED WILL BE USED

TOOLS NEEDED



DO NOT EXCEED WEIGHT CAPACITY.

Failure to do so may result in serious injury.

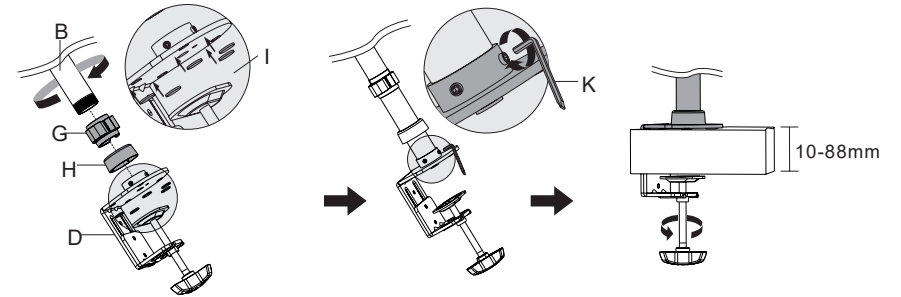
**17.6lbs
(7.98kg)**

ASSEMBLY STEPS

STEP 1

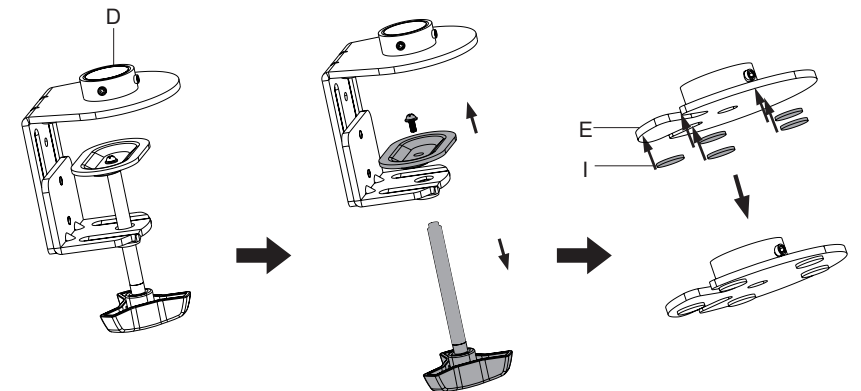
OPTION A: "C" Clamp Installation

Slide the cable management clip (G) and base cover (H) on to the bottom pole (B). Thread the bottom pole (B) onto the clamp (D). Tighten the grub screws into the bottom of the clamp (D) using 3mm allen wrench (K). Secure the clamp (D) to the desktop as shown in diagram.



OPTION B: Existing Grommet Hole Installation

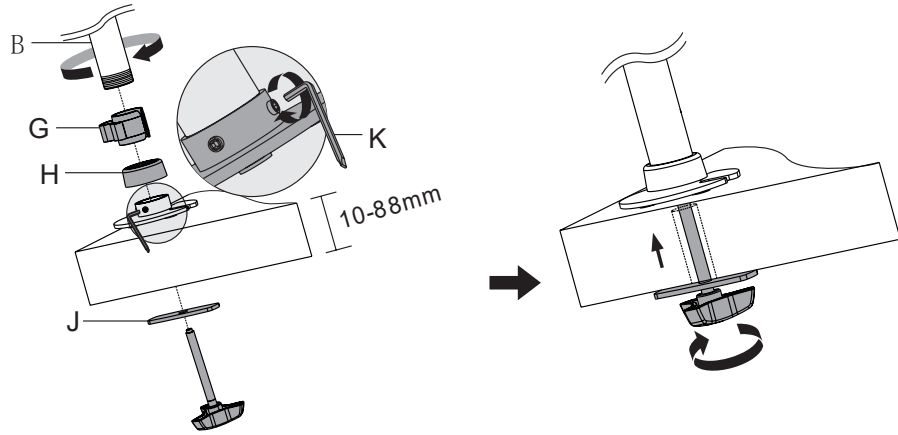
Remove the screw from the top of the bolt in the clamp (D). Stick the soft pads (I) to the bottom of the grommet base (E).



STEP 1 (continued)

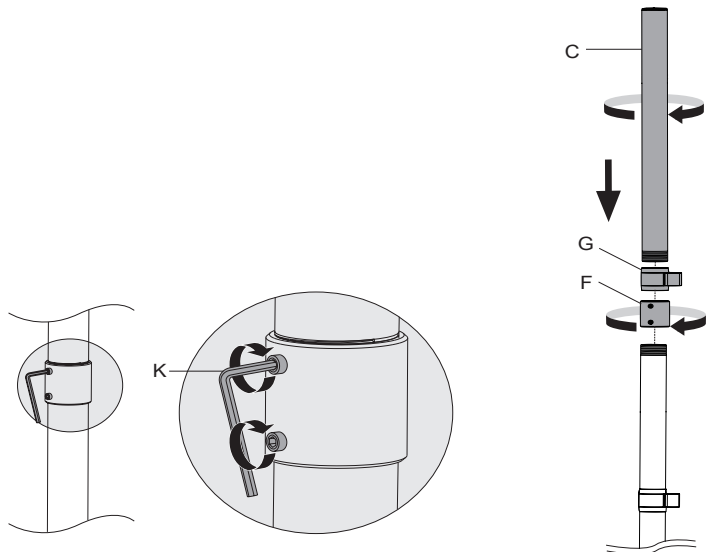
OPTION B: Existing Grommet Hole Installation

Slide the cable management clip (**G**) and base cover (**H**) onto the bottom pole (**B**). Thread the bottom pole (**B**) onto the grommet base (**E**). Tighten the grub screws in the bottom of the grommet base (**E**), using the 3mm allen wrench (**K**). Slide the metal pad (**J**) over the bolt, then slide it through the grommet hole in the bottom of the desktop. Thread into the bottom of the pole (**C**).



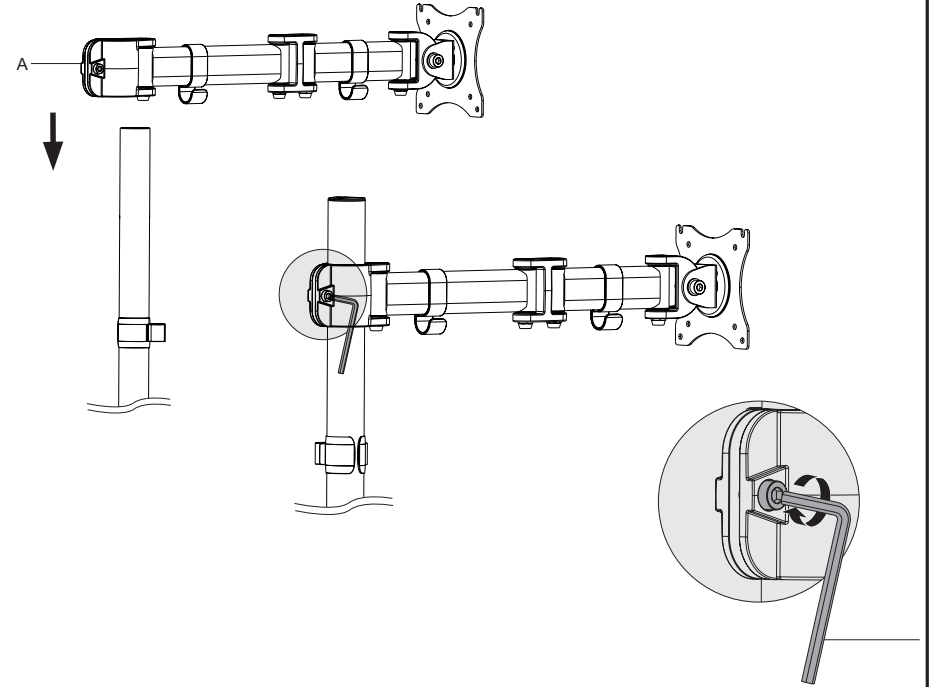
STEP 2

Slide the cable management clip (**G**) over the bottom of the top pole (**C**). Use the pole connector (**F**) to attach the top pole (**C**) to the bottom pole (**B**), using the 3mm allen wrench (**K**).



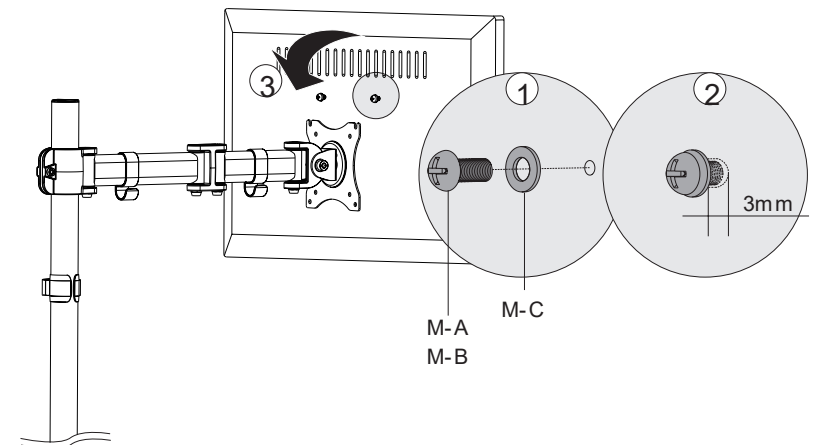
STEP 3

Slide the arm (**A**) over the top of pole. Tighten using the 5mm allen wrench (**L**).



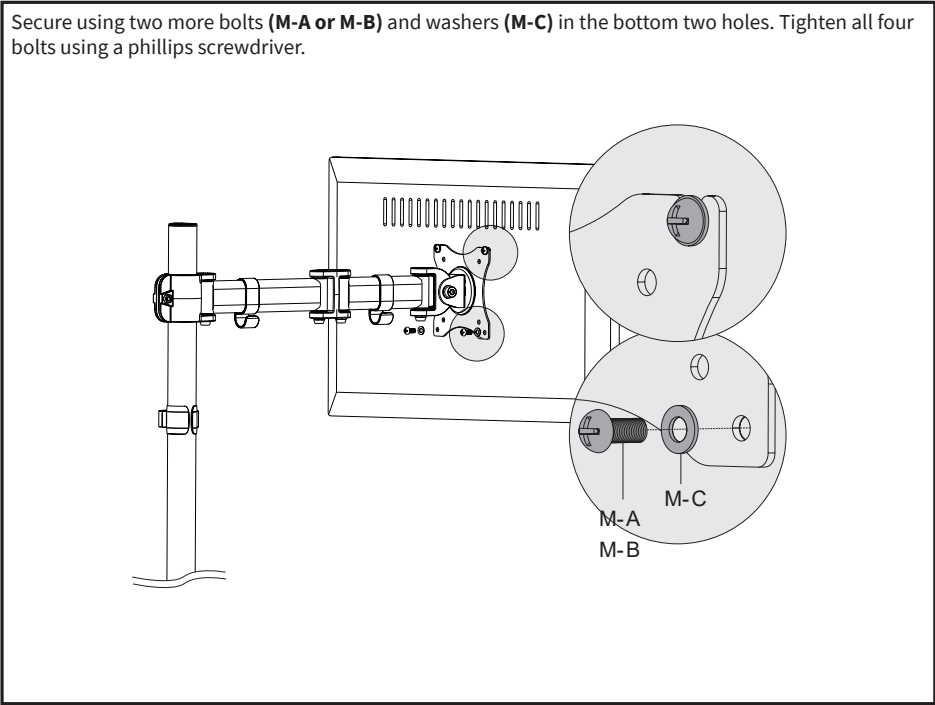
STEP 4

Attach two bolts (**M-A or M-B**) and washers (**M-C**) to the top mounting holes of your monitor, making sure to leave 3mm of threads exposed. Align the bolts (**M-A, M-B**) in the VESA plate.



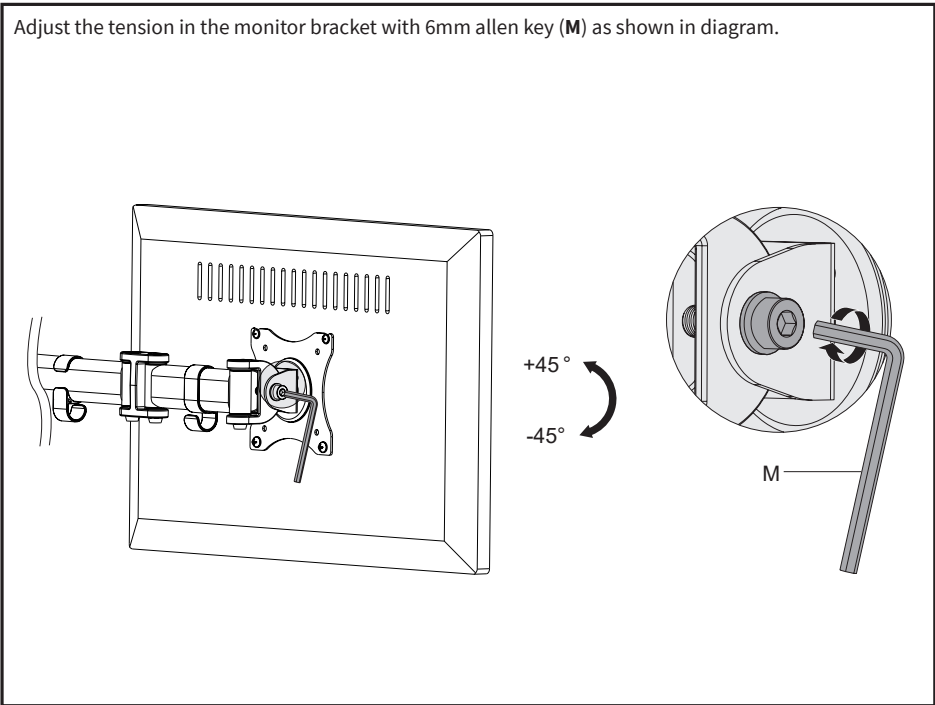
STEP 4 (continued)

Secure using two more bolts (**M-A or M-B**) and washers (**M-C**) in the bottom two holes. Tighten all four bolts using a phillips screwdriver.



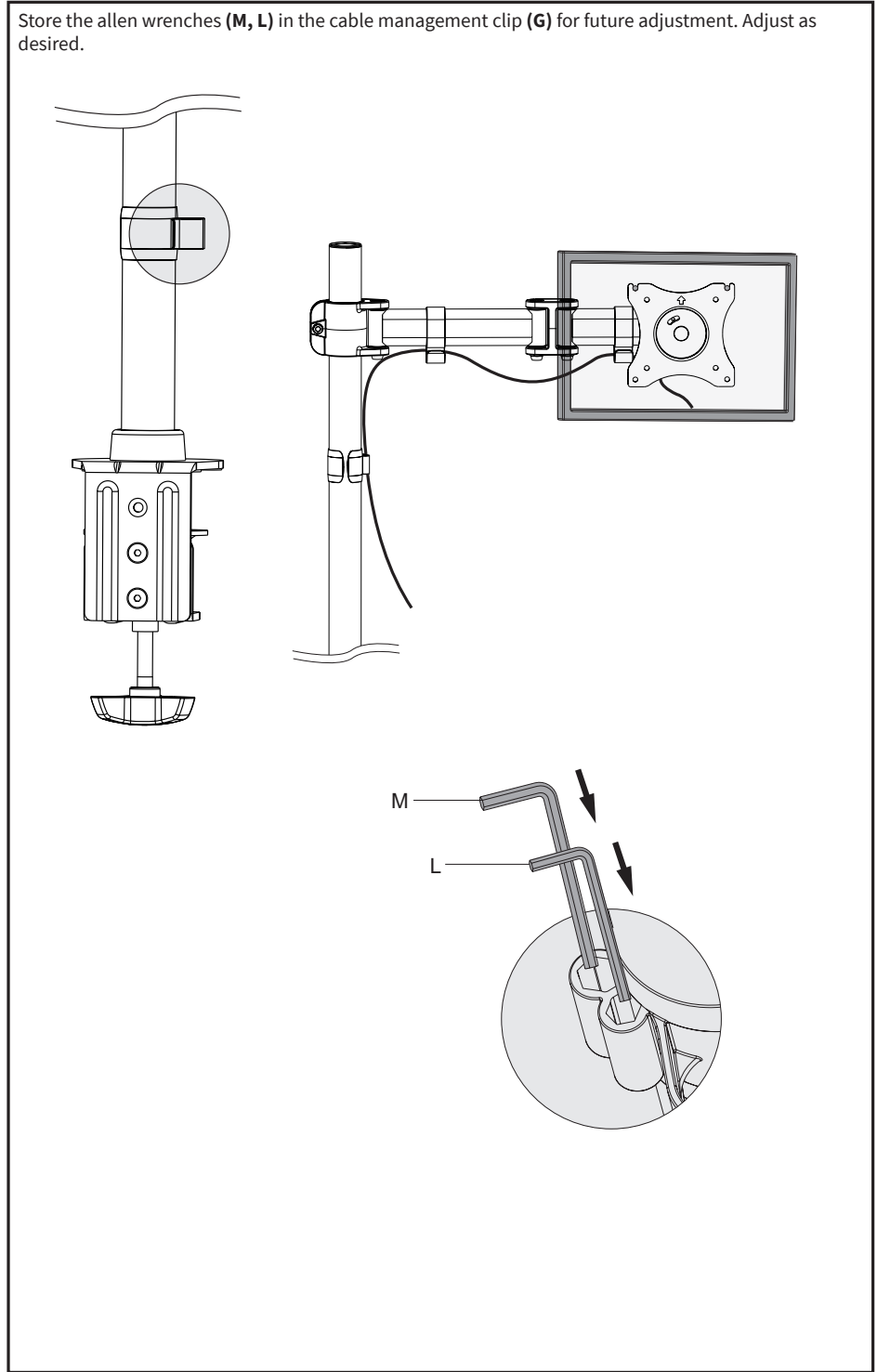
STEP 5

Adjust the tension in the monitor bracket with 6mm allen key (**M**) as shown in diagram.



STEP 6

Store the allen wrenches (**M, L**) in the cable management clip (**G**) for future adjustment. Adjust as desired.





Love your new VIVO setup and want to share?

Tag us in your photo! **@vivo_us**

Last Updated: 11/08/2018



If any parts are received damaged or defective, please contact us. We are happy to replace parts to ensure you have a fully functioning product.



help@vivo-us.com



www.vivo-us.com



1-800-371-5654

For more VIVO products, check out our website at:
www.vivo-us.com.