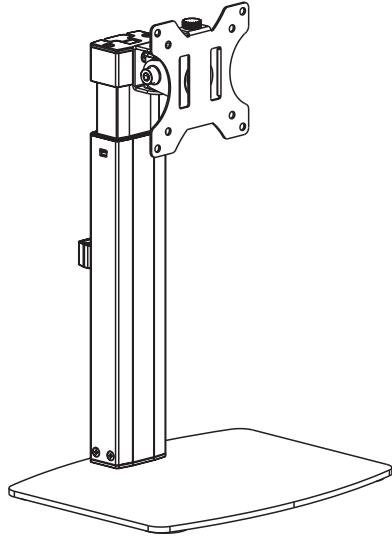


---

## Single Monitor Desk Stand

Instruction Manual



**SKU: STAND-V001V**



Scan the QR code with your mobile device or follow the link for helpful videos and specifications related to this product.

<https://vivo-us.com/products/stand-v001v>



help@vivo-us.com



www.vivo-us.com



1-800-371-5654

**WARNING!**

If you do not understand these directions, or if you have any doubts about the safety of the installation, please call a qualified technician. Check carefully to make sure there are no missing or defective parts. Improper installation may cause damage or serious injury. Do not use this product for any purpose that is not explicitly specified in this manual. Do not exceed weight capacity. We cannot be liable for damage or injury caused by improper mounting, incorrect assembly or inappropriate use.

**TIPOVER WARNING**

SERIOUS OR FATAL CRUSHING INJURIES CAN OCCUR FROM TIPOVER. TO HELP PREVENT TIPOVER:

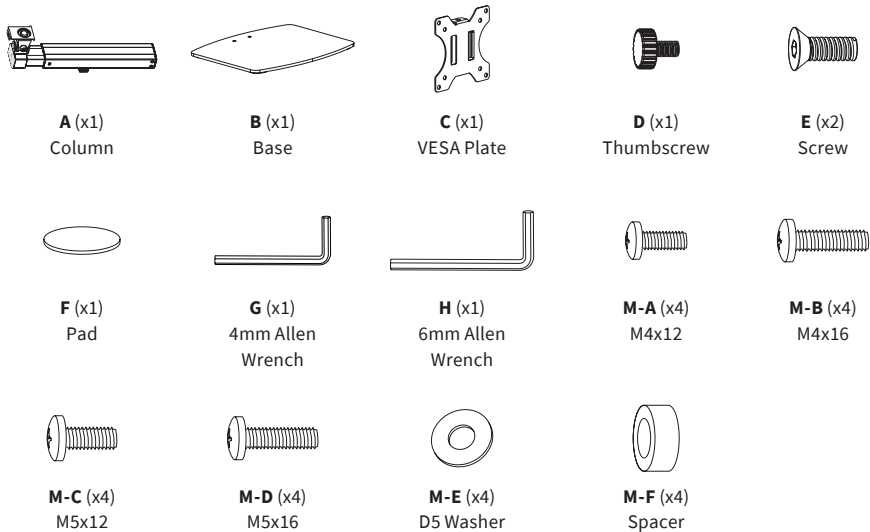
- NEVER ALLOW CHILDREN TO CLIMB, STAND, HANG, OR PLAY ON ANY PART OF MONITOR OR STAND.
- USE TIPOVER RESTRAINT OR ANCHOR STAND TO WALL

USE OF TIPOVER RESTRAINTS MAY ONLY REDUCE, BUT NOT ELIMINATE RISK OF TIPOVER.

**WARNING: CHOKING HAZARD**

SMALL PARTS - NOT FOR CHILDREN UNDER 3 YEARS. ADULT SUPERVISION IS REQUIRED.

**PACKAGE CONTENTS**



NOTE: NOT ALL HARDWARE INCLUDED WILL BE USED

**TOOLS NEEDED**



DO NOT EXCEED WEIGHT CAPACITY.

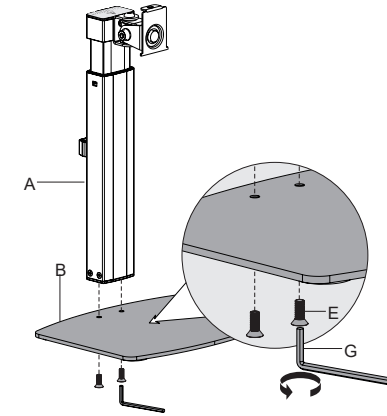
Failure to do so may result in serious injury.



**ASSEMBLY STEPS**

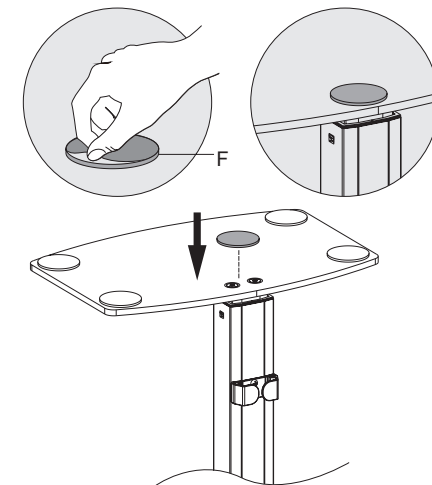
**STEP 1**

Mount telescopic column (A) to base (B) using screws (E). Tighten with 4mm Allen wrench (G).



**STEP 2**

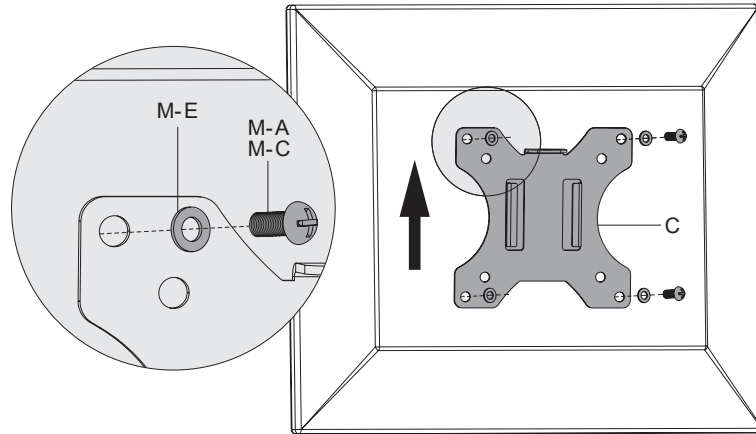
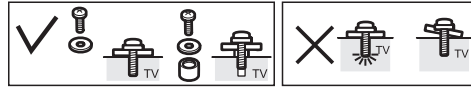
Peel backing from pad (F) and stick in place over screws.



### STEP 3

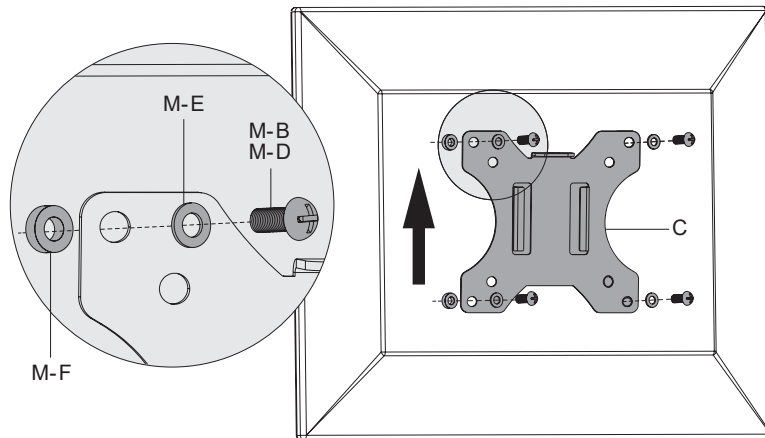
#### OPTION A: Flat Back Monitor

Install VESA plate (C) to monitor using short screws (M-A or M-C) and washers (M-E).



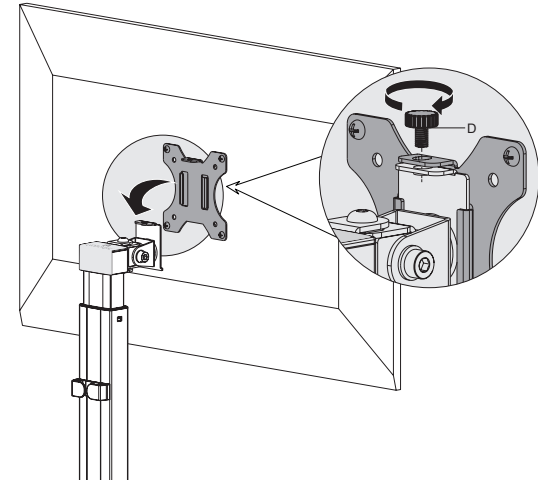
#### OPTION B: Curved Back Monitor

Install VESA plate (C) to monitor using screws (M-B or M-D), washers (M-E), and spacers (M-F) if necessary.



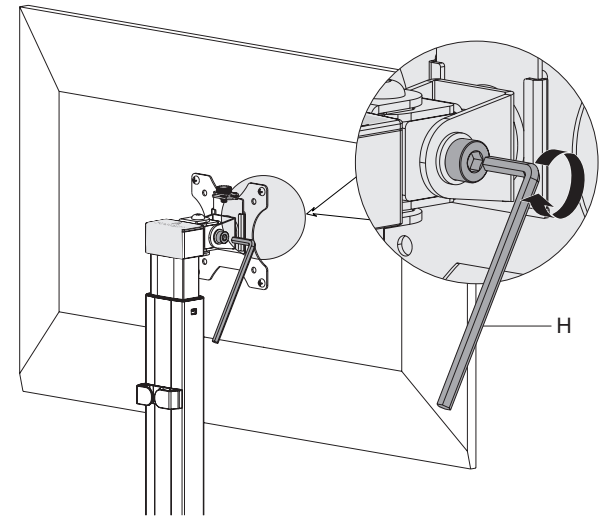
### STEP 4

Slide monitor with VESA plate onto mounting bracket and secure with thumbscrew (D).



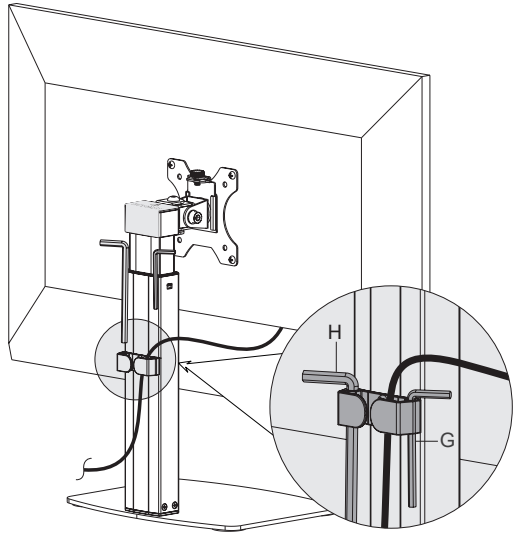
### STEP 5

Adjust tilt support using 6mm Allen wrench (H).



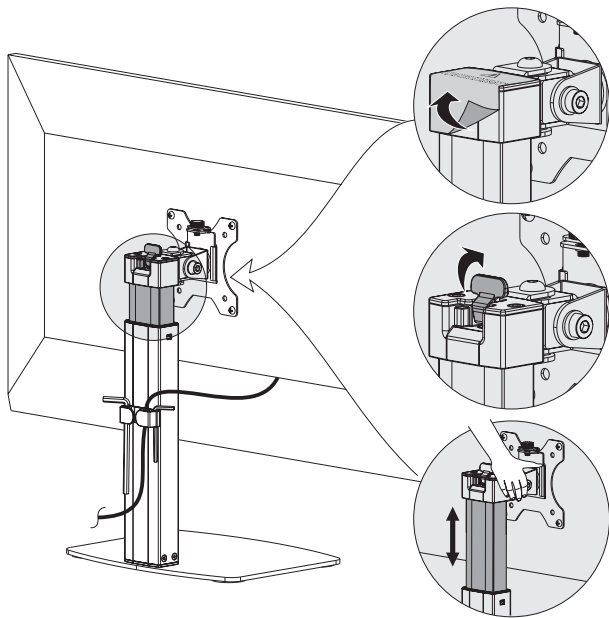
### STEP 6

Manage cables and store tools using pre-installed clip.



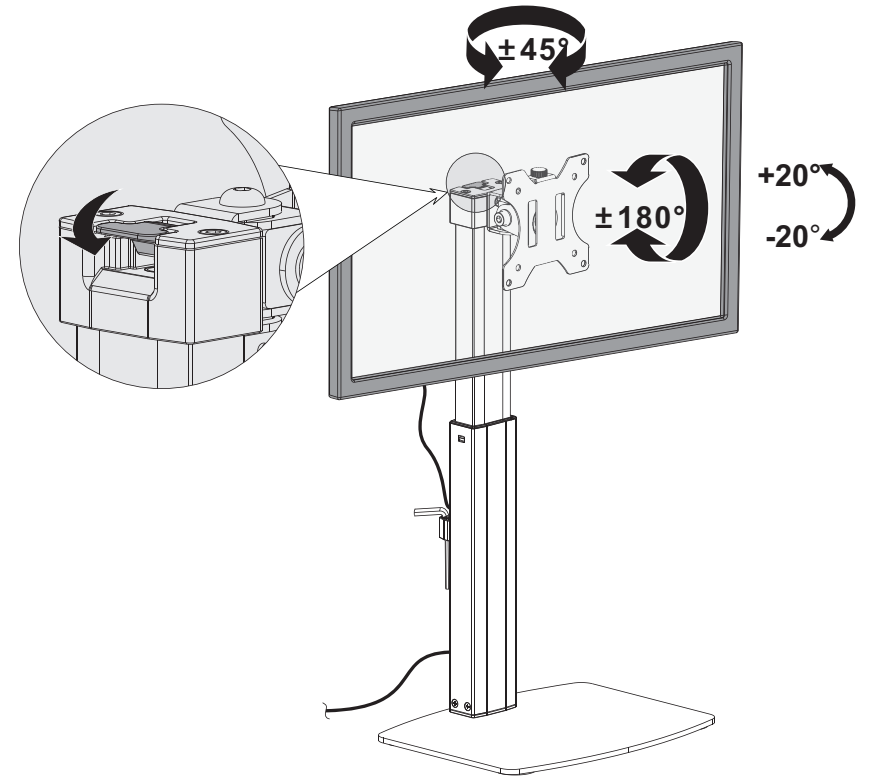
### STEP 7

Remove tape from lever. To raise or lower monitor, pull the lever up and adjust the monitor height.



### STEP 8

Press the lever down to lock the monitor height.





Love your new VIVO setup and want to share?

Tag us in your photo! **@vivo\_us**

Last Updated: 11/23/2018



If any parts are received damaged or defective, please contact us. We are happy to replace parts to ensure you have a fully functioning product.



[help@vivo-us.com](mailto:help@vivo-us.com)



[www.vivo-us.com](http://www.vivo-us.com)



1-800-371-5654

For more VIVO products, check out our website at:  
[www.vivo-us.com](http://www.vivo-us.com).