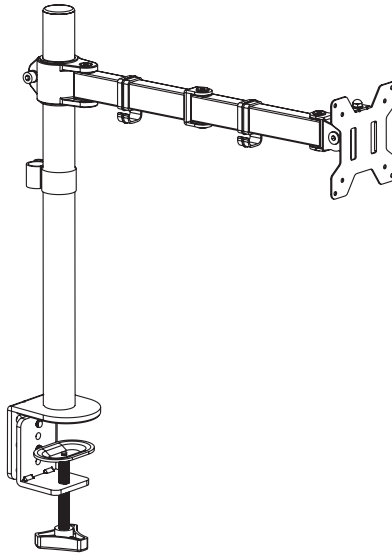


---

## Single Monitor Desk Mount

### Instruction Manual



**SKU: STAND-V001**



Scan the QR code with your mobile device or follow the link for helpful videos and specifications related to this product.

<https://vivo-us.com/products/stand-v001>



help@vivo-us.com



www.vivo-us.com



1-800-371-5654

## ⚠️ WARNING!

If you do not understand these directions, or if you have any doubts about the safety of the installation, please call a qualified technician. Check carefully to make sure there are no missing or defective parts. Improper installation may cause damage or serious injury. Do not use this product for any purpose that is not explicitly specified in this manual. Do not exceed weight capacity. We cannot be liable for damage or injury caused by improper mounting, incorrect assembly or inappropriate use.

## ⚠️ TIPOVER WARNING

SERIOUS OR FATAL CRUSHING INJURIES CAN OCCUR FROM TIPOVER. TO HELP PREVENT TIPOVER:

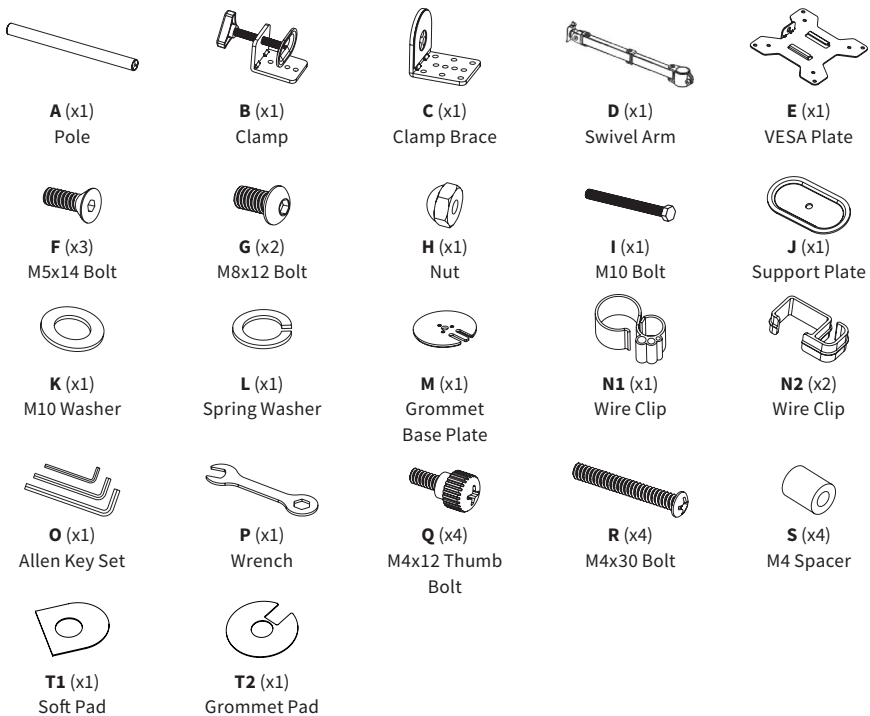
- NEVER ALLOW CHILDREN TO CLIMB, STAND, HANG, OR PLAY ON ANY PART OF MONITOR OR STAND.
- USE TIPOVER RESTRAINT OR ANCHOR STAND TO WALL

**USE OF TIPOVER RESTRAINTS MAY ONLY REDUCE, BUT NOT ELIMINATE RISK OF TIPOVER.**

## ⚠️ WARNING: CHOKING HAZARD

SMALL PARTS - NOT FOR CHILDREN UNDER 3 YEARS. ADULT SUPERVISION IS REQUIRED.

## PACKAGE CONTENTS



**NOTE: NOT ALL HARDWARE INCLUDED WILL BE USED**

## TOOLS NEEDED



DO NOT EXCEED WEIGHT CAPACITY.

Failure to do so may result in serious injury.

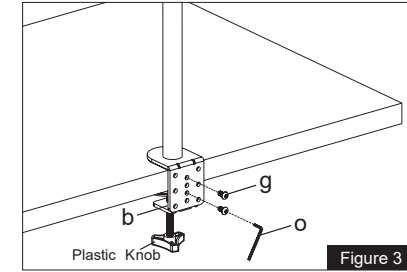
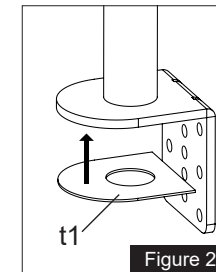
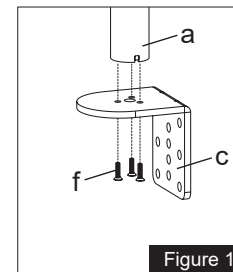
22lbs  
(9.98kg)

## ASSEMBLY STEPS

### STEP 1

#### Option A: Desk Clamp Install

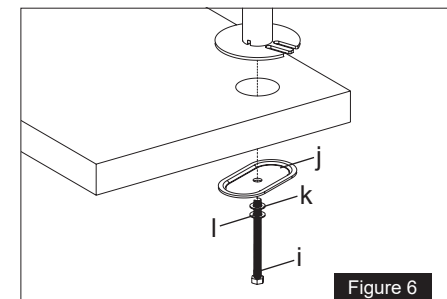
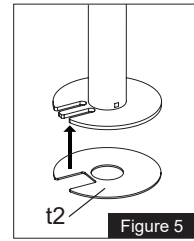
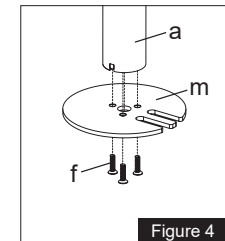
1. Install the clamp brace (C) to the pole (A) using x3 M5x14 bolts (F). See Figure 1.
2. Attach soft pad (T1) to the clamp brace (C), see Figure 2.
3. Install the clamp (B) to the pole assembly according to the thickness of the desktop. The thickness can be changed to 3 positions. Connect using x2 M8x12 bolts (G) and tighten using the Allen key (O). Tighten the clamp to the desktop using the plastic knob. See Figure 3.



#### Option B: Grommet Base with Existing Hole

If existing grommet hole comes with a plastic protector, remove it to ensure a flat surface before installing the desk mount.

1. Install grommet base plate (M) to the pole (A) using x3 M5x14 bolts (F). See Figure 4.
2. Attach soft pad (T2) to the grommet base plate (M), see Figure 5.
3. Position pole (A) on the mounting surface and secure using the support plate (J), M10 washer (K), spring washer (L) and M10 bolt (I). Fasten M10 bolt using provided wrench (P). See Figure 6.



## STEP 1 (continued)

### Option C: Grommet Base with Self-Drilled Hole

1. Position the Pole (A) on the mounting surface and mark the center hole. Drill a 3/8" (10mm) diameter hole at the marked position through the mounting surface.
2. Install the Grommet Base Plate (M) to the Pole (A) using x3 M5x14 Bolts (F), and tighten using the Allen Wrench (O), see Figure 7.
3. Attach Soft Pad (T2) to the Grommet Base Plate (M), see Figure 8.
4. Position the Pole (A) on the mounting surface and secure using Support Plate (J), M10 Washer (K), Spring Washer (L), and M10 Bolt (I). Fasten the M10 Bolt using provided Wrench (P), see Figure 9.

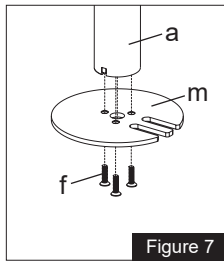


Figure 7

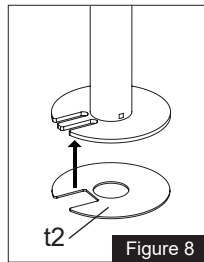


Figure 8

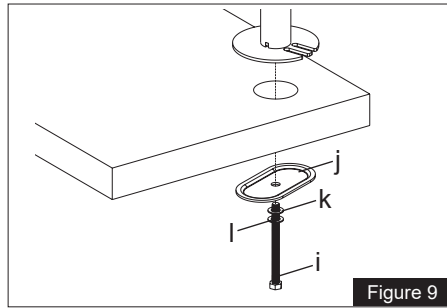
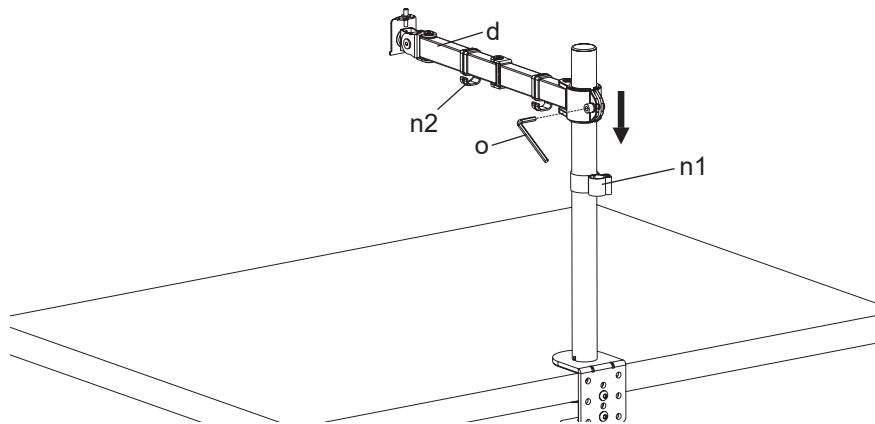


Figure 9

## STEP 2

Install swivel arm (D) to the pole (A). Fasten the bolt with supplied Allen key (O). Attach the wire clip (N1, N2) to the pole (A) and swivel arm (D).

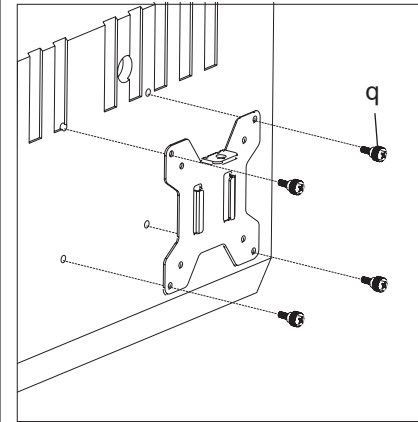


## STEP 3

### OPTION A: Flat Back Monitor

Attach the VESA plate (E) to the monitor with M4x12 thumb bolts (Q).

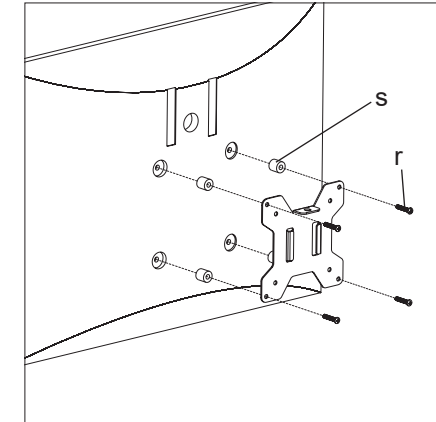
**NOTE:** Hand tighten screws to avoid over tightening.



### OPTION B: Curved Back Monitor

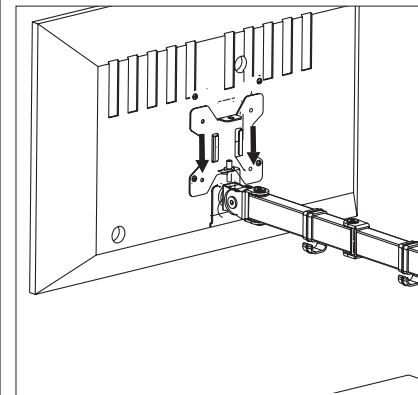
Attach the VESA plate (E) to the monitor with M4x30 bolts (R) and M4 spacers (S).

**NOTE:** Hand tighten screws to avoid over tightening.

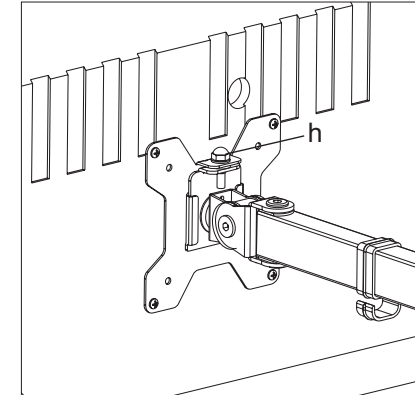


## STEP 4

Slide the monitor onto the head of swivel arm (D).

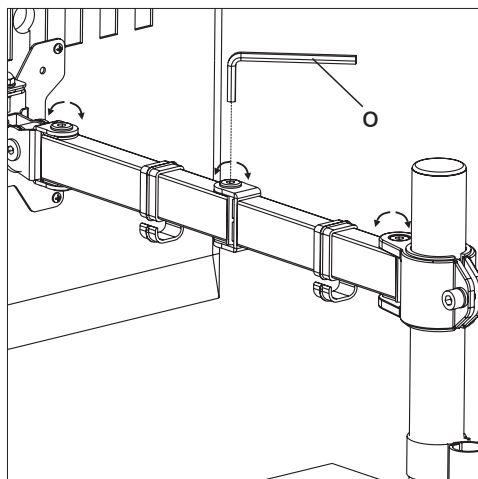
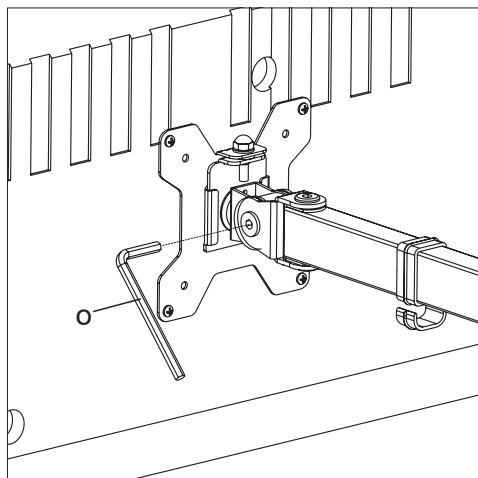


Install the security nut (H). Make sure the security nut is installed before you rotate the monitor. For minor height adjustment, use Allen key (O).



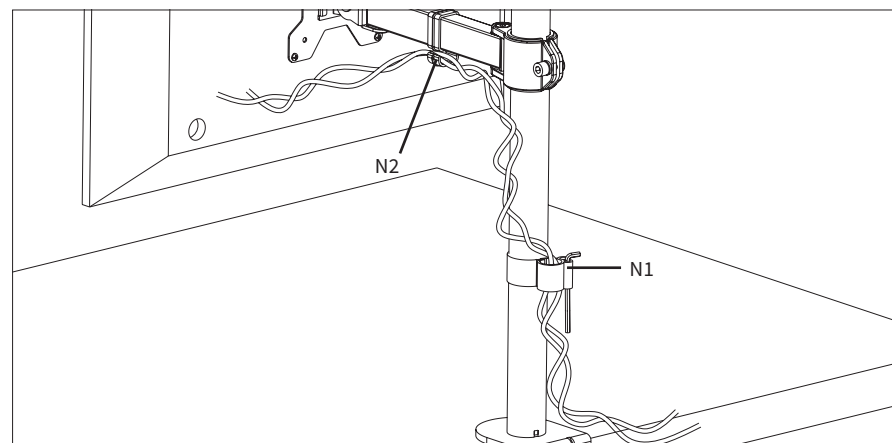
## STEP 5

Tighten the bolt with the supplied Allen key (O) to fix the tilt angle and to make any necessary adjustments.



## STEP 6

Manage cables and store Allen keys (O) in wire clip (N1) for future use.





Love your new VIVO setup and want to share?

Tag us in your photo! **@vivo\_us**

Last Updated: 11/28/2018



If any parts are received damaged or defective, please contact us. We are happy to replace parts to ensure you have a fully functioning product.



[help@vivo-us.com](mailto:help@vivo-us.com)



[www.vivo-us.com](http://www.vivo-us.com)



1-800-371-5654

For more VIVO products, check out our website at:  
[www.vivo-us.com](http://www.vivo-us.com).