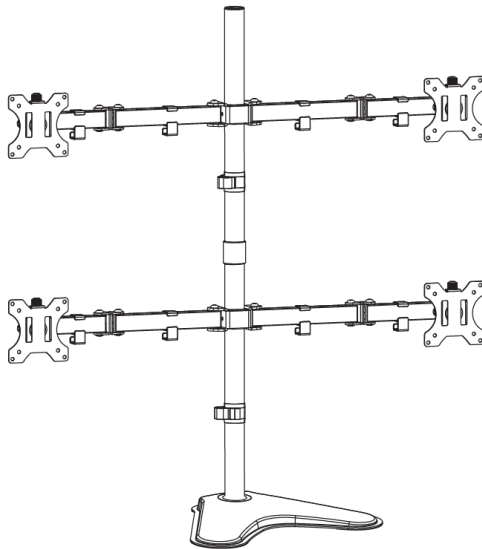




Quad Monitor Desk Stand

Instruction Manual



SKU: STAND-V004F



Scan the QR code with your mobile device or follow the link for helpful videos and specifications related to this product.

<https://vivo-us.com/products/stand-v004f>



help@vivo-us.com



www.vivo-us.com



1-800-371-5654

WARNING!

If you do not understand these directions, or if you have any doubts about the safety of the installation, please call a qualified technician. Check carefully to make sure there are no missing or defective parts. Improper installation may cause damage or serious injury. Do not use this product for any purpose that is not explicitly specified in this manual. Do not exceed weight capacity. We cannot be liable for damage or injury caused by improper mounting, incorrect assembly or inappropriate use.

TIPOVER WARNING

SERIOUS OR FATAL CRUSHING INJURIES CAN OCCUR FROM TIPOVER. TO HELP PREVENT TIPOVER:

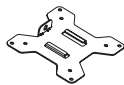
- **TO PREVENT TIPPING, PLEASE BE CAREFUL NOT TO EXTEND THE ARMS TOO FAR FORWARD OR BACKWARD.**
- NEVER ALLOW CHILDREN TO CLIMB, STAND, HANG, OR PLAY ON ANY PART OF MONITOR OR STAND.
- USE TIPOVER RESTRAINT OR ANCHOR STAND TO WALL

USE OF TIPOVER RESTRAINTS MAY ONLY REDUCE, BUT NOT ELIMINATE RISK OF TIPOVER.

WARNING: CHOKING HAZARD

SMALL PARTS - NOT FOR CHILDREN UNDER 3 YEARS. ADULT SUPERVISION IS REQUIRED.

PACKAGE CONTENTS



A (x4)
VESA Plate



B (x2)
Arm



C (x1)
Base



D (x1)
Pole



E (x1)
Pole



F (x1)
Pole
Connector



G (x2)
Cable Clip



H (x4)
Height
Adjustment Knob



I (x4)
Bolt



J (x3)
Bolt



K (x1)
3mm Allen
Wrench



L (x1)
4mm Allen
Wrench



M (x1)
6mm Allen
Wrench



M-A (x16)
M4x12



M-B (x16)
M4x16



M-C (x16)
M5x12



M-D (x16)
M5x16



M-E (x16)
D5 Washer



M-F (x16)
Spacer

NOTE: NOT ALL HARDWARE INCLUDED WILL BE USED

TOOLS NEEDED



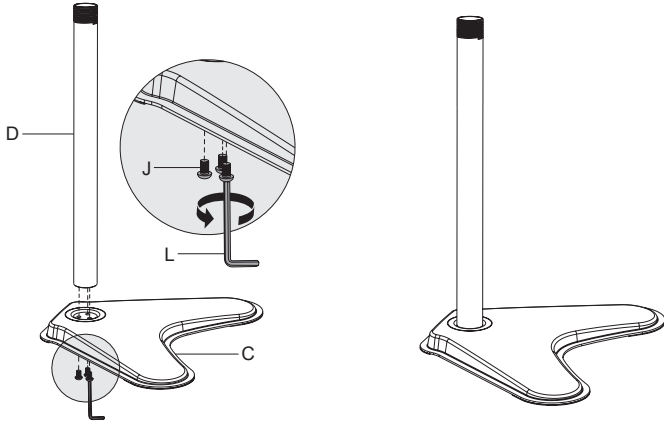
DO NOT EXCEED WEIGHT CAPACITY.
Failure to do so may result in serious injury.



ASSEMBLY STEPS

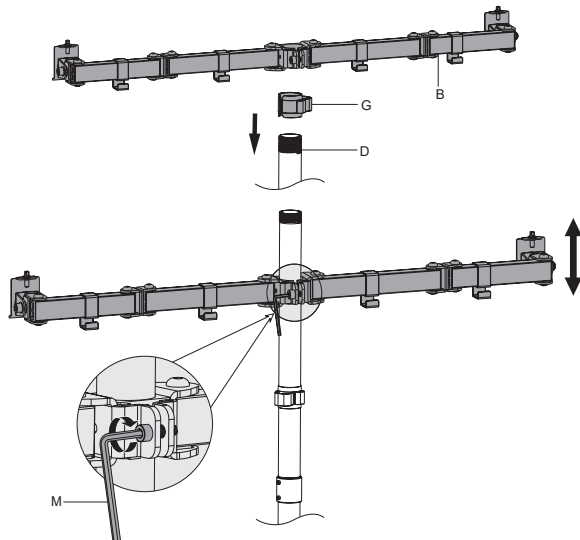
STEP 1

Attach pole (D) to base (C) using bolts (J) and 4mm allen wrench (L).



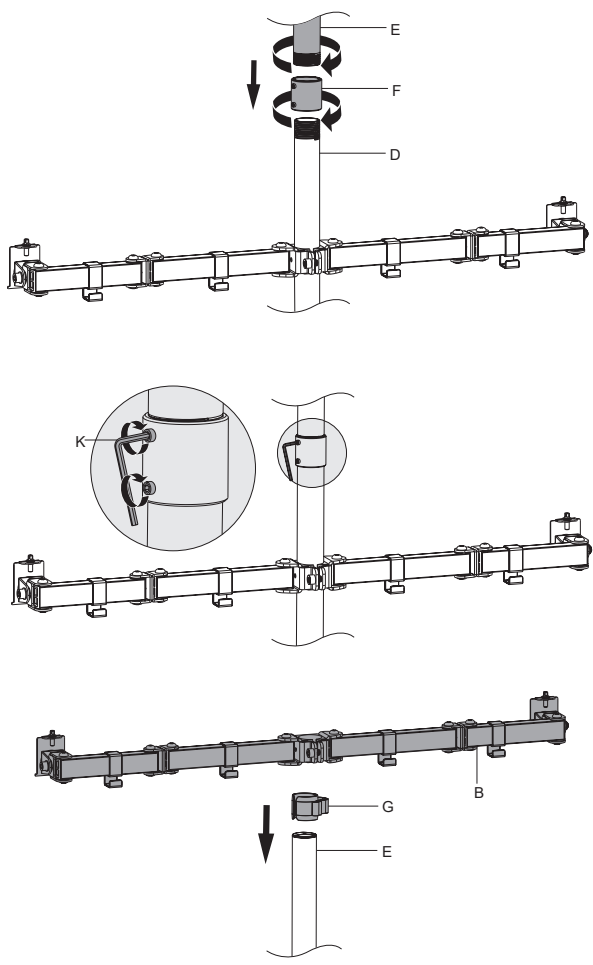
STEP 2

Slide cable management clip (G) and arm (B) over top of pole (D) and tighten using 6mm allen wrench (M).



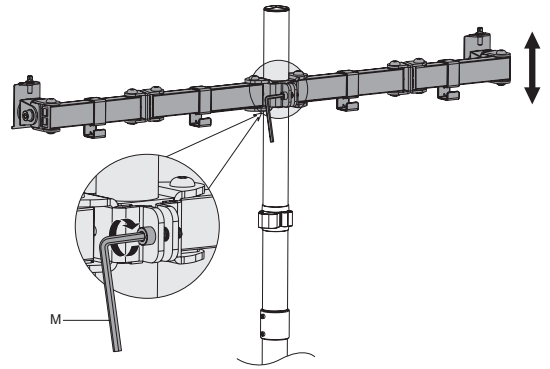
STEP 3

Attach pole (E) to pole (D) using pole connector (F). Tighten grub screws in pole connector using 3mm allen wrench (K). Slide second cable management clip (G) and arm (B) over top of pole (E).



STEP 4

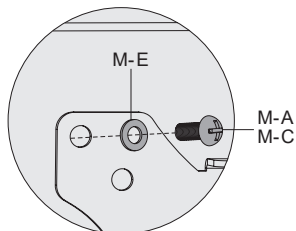
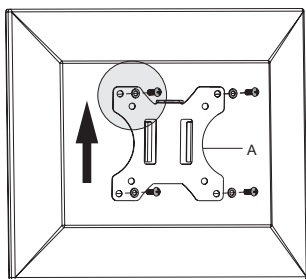
Tighten arm (B) using 6mm allen wrench (M).



STEP 5

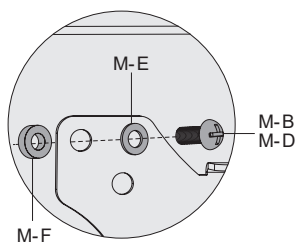
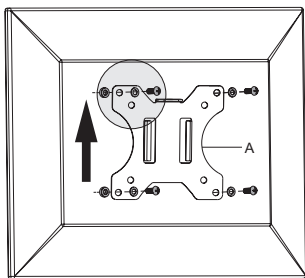
OPTION A: Flat Back Monitor

For flat back monitor, install VESA plate (A) to monitor using bolts (M-A) or (M-C) and washers (M-E).



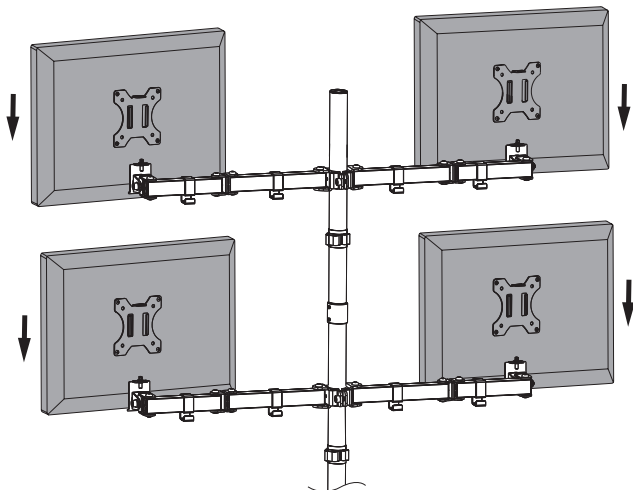
OPTION B: Curved Back Monitor

For curved back monitor, install VESA plate (A) to monitor using bolts (M-B) or (M-D), washers (M-E), and spacers (M-F).



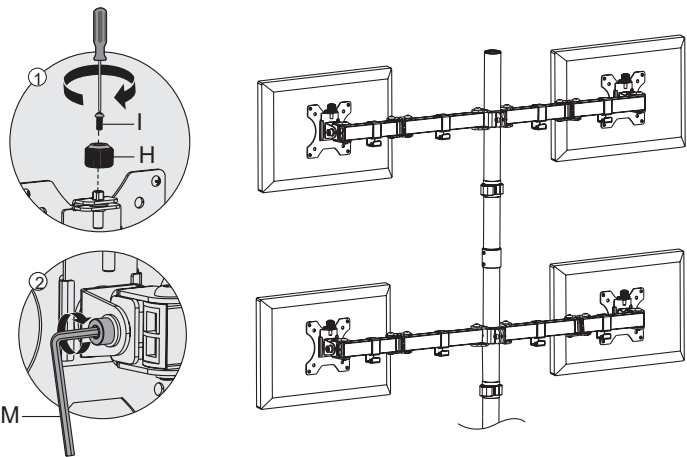
STEP 6

Slide VESA plates (A) onto brackets on arms (B) as shown in diagram.



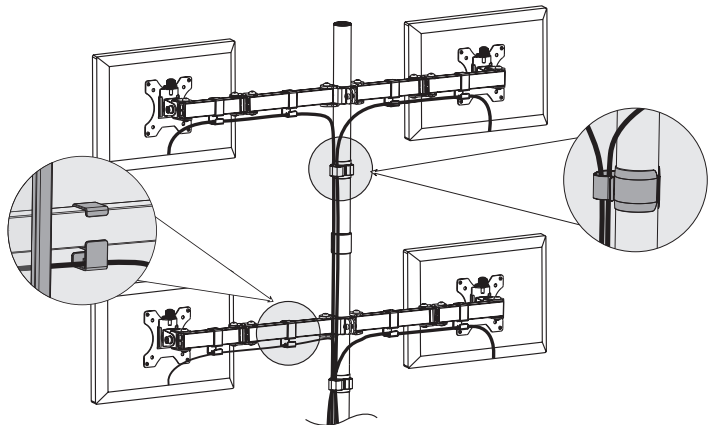
STEP 7

Secure monitors by placing height adjustment knobs (H) on square bolts and tightening bolts (I) through the top.



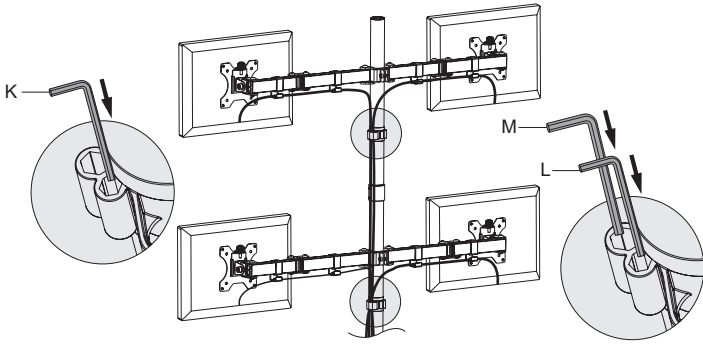
STEP 8

Route cables through cable management clips.



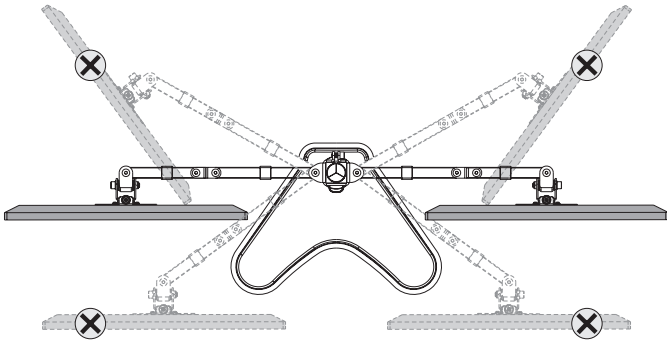
STEP 9

Store allen wrenches (**K,L,M**) in cable management clips (**G**) for future adjustments.

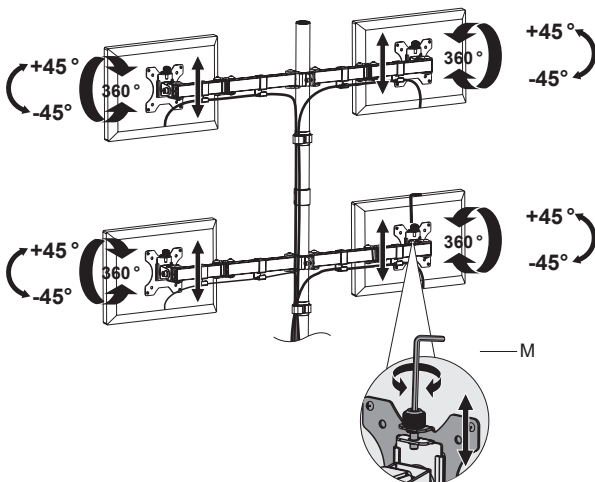


STEP 10

Do not move monitors past center of gravity. This could result in tipping.



Adjust as Desired





Love your new VIVO setup and want to share?

Tag us in your photo! **@vivo_us**

Last Updated: 09/06/2019



If any parts are received damaged or defective, please contact us. We are happy to replace parts to ensure you have a fully functioning product.



help@vivo-us.com



www.vivo-us.com



1-800-371-5654

For more VIVO products, check out our website at:

www.vivo-us.com.