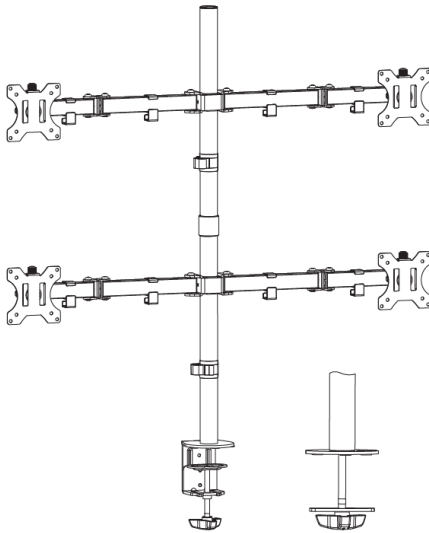




---

## Quad Monitor Desk Mount

### Instruction Manual



**SKU: STAND-V004**



Scan the QR code with your mobile device or follow the link for helpful videos and specifications related to this product.

<https://vivo-us.com/products/stand-v004>



help@vivo-us.com



www.vivo-us.com



1-800-371-5654

# ⚠️ WARNING!

If you do not understand these directions, or if you have any doubts about the safety of the installation, please call a qualified technician. Check carefully to make sure there are no missing or defective parts. Improper installation may cause damage or serious injury. Do not use this product for any purpose that is not explicitly specified in this manual. Do not exceed weight capacity. We cannot be liable for damage or injury caused by improper mounting, incorrect assembly or inappropriate use.

## ⚠️ TIPOVER WARNING

SERIOUS OR FATAL CRUSHING INJURIES CAN OCCUR FROM TIPOVER. TO HELP PREVENT TIPOVER:

- NEVER ALLOW CHILDREN TO CLIMB, STAND, HANG, OR PLAY ON ANY PART OF MONITOR OR STAND.
- USE TIPOVER RESTRAINT OR ANCHOR STAND TO WALL

USE OF TIPOVER RESTRAINTS MAY ONLY REDUCE, BUT NOT ELIMINATE RISK OF TIPOVER.

## ⚠️ WARNING: CHOKING HAZARD

SMALL PARTS - NOT FOR CHILDREN UNDER 3 YEARS. ADULT SUPERVISION IS REQUIRED.

## PACKAGE CONTENTS



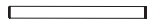
A (x4)  
VESA Plate



B (x2)  
Arm



C (x1)  
Clamp



D (x1)  
Pole



E (x1)  
Pole



F (x1)  
Pole Adapter



G (x2)  
Cable Clip



H (x1)  
Grommet Base



I (x4)  
VESA Cap



J (x4)  
Screw



K (x5)  
Rubber Pad



L (x3)  
Large Screw



M (x1)  
Support Plate



N (x1)  
3mm Allen  
Wrench



O (x1)  
4mm Allen  
Wrench



P (x1)  
6mm Allen  
Wrench



Q (x1)  
Plastic Cap



R (x8)  
Cable Clip



M-A (x16)  
M4x12



M-B (x16)  
M4x16



M-C (x16)  
M5x12



M-D (x16)  
M5x16



M-E (x16)  
D5 Washer



M-F (x16)  
Spacer

## TOOLS NEEDED



Phillips  
Screwdriver

NOTE: NOT ALL HARDWARE INCLUDED WILL BE USED

**DO NOT EXCEED WEIGHT CAPACITY.**

Failure to do so may result in serious injury.



PER ARM

# ASSEMBLY STEPS

## STEP 1

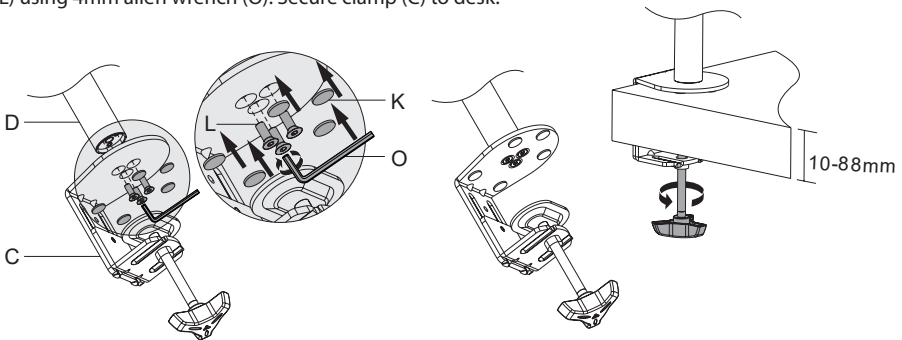
Attach plastic cap (Q) to top of pole (E).



## STEP 2

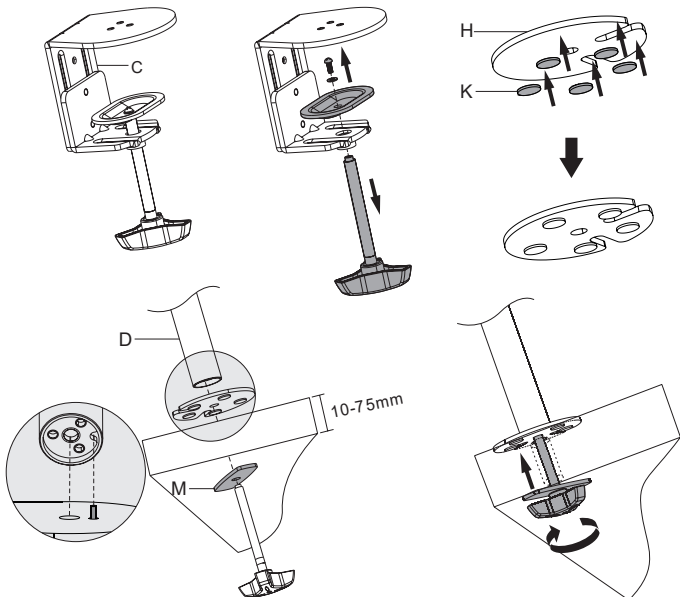
### OPTION A: Clamp Installation

Apply rubber pads (K) to clamp (C) as shown in diagram. Attach clamp (C) to pole (D) with large screws (L) using 4mm allen wrench (O). Secure clamp (C) to desk.



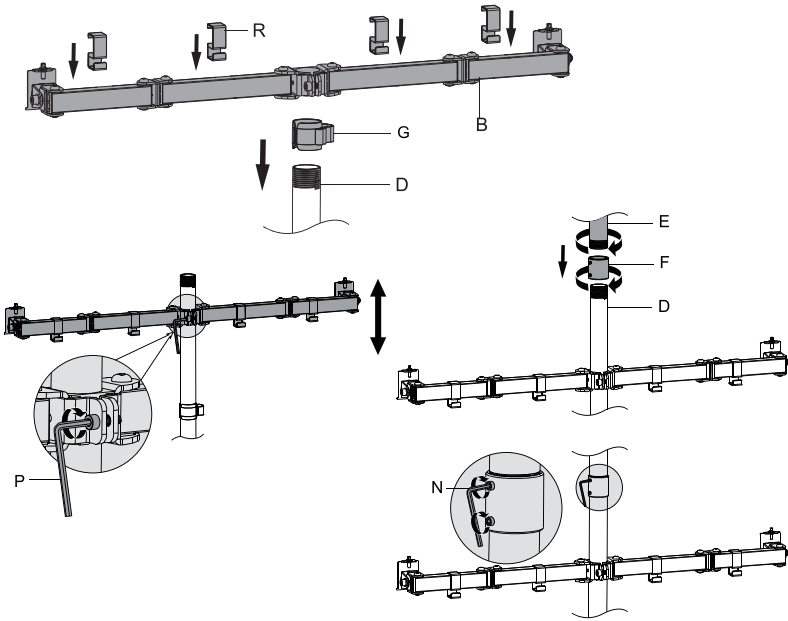
### OPTION B: Grommet Base Installation

Remove clamp screw from clamp (C). Apply rubber pads (K) to grommet base (H) as shown in diagram. Place on desk. Put support plate (M) on crank. Insert crank through desk and grommet base (H) from below. Attach and tighten pole (D).



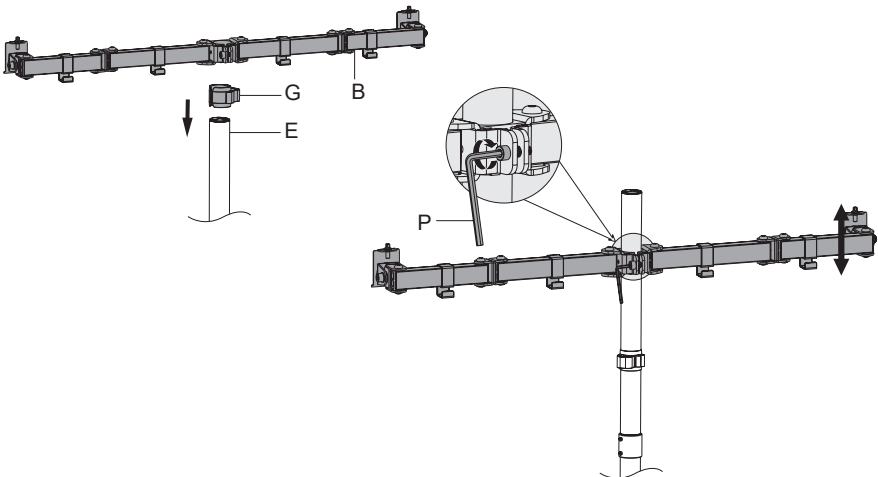
### STEP 3

Slide one cable management clip (G) onto pole (D). Slide arm (B) onto pole (D) and tighten in place using 6mm allen wrench (P). Screw pole adapter (F) onto pole (D). Screw pole (E) into pole adapter (F). Tighten using 3mm allen wrench (N) as shown in diagram.



### STEP 4

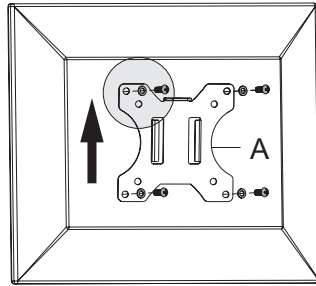
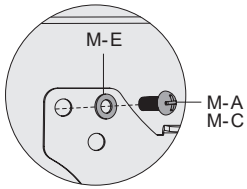
Slide one cable management clip (G) onto pole (D). Slide arm (B) onto pole (D) and tighten in place using 6mm allen wrench (P).



## STEP 45

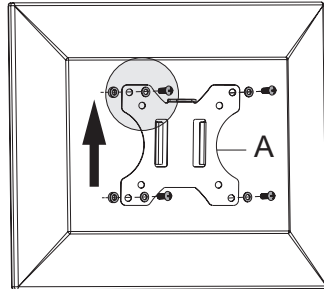
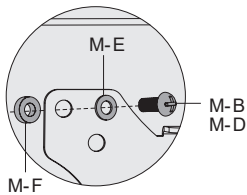
### OPTION A: Flat Back Monitor

Attach VESA plates (A) to monitors using screws (M-A or M-C) and washers (M-E).



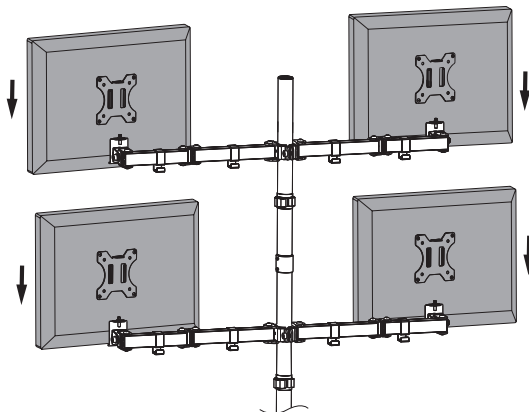
### OPTION B: Curved Back Monitor

Attach VESA plates (A) to monitors using screws (M-B or M-D), washers (M-E), and spacers (M-F).



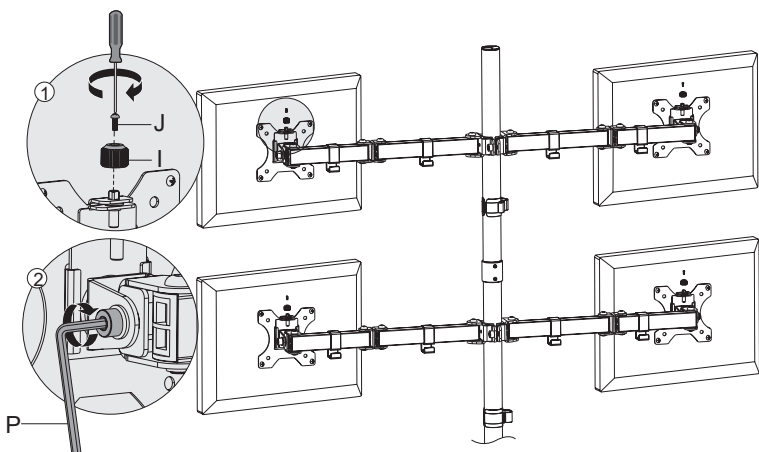
## STEP 6

Slide VESA plates (A) with monitors attached onto monitor mounts as shown in diagram.



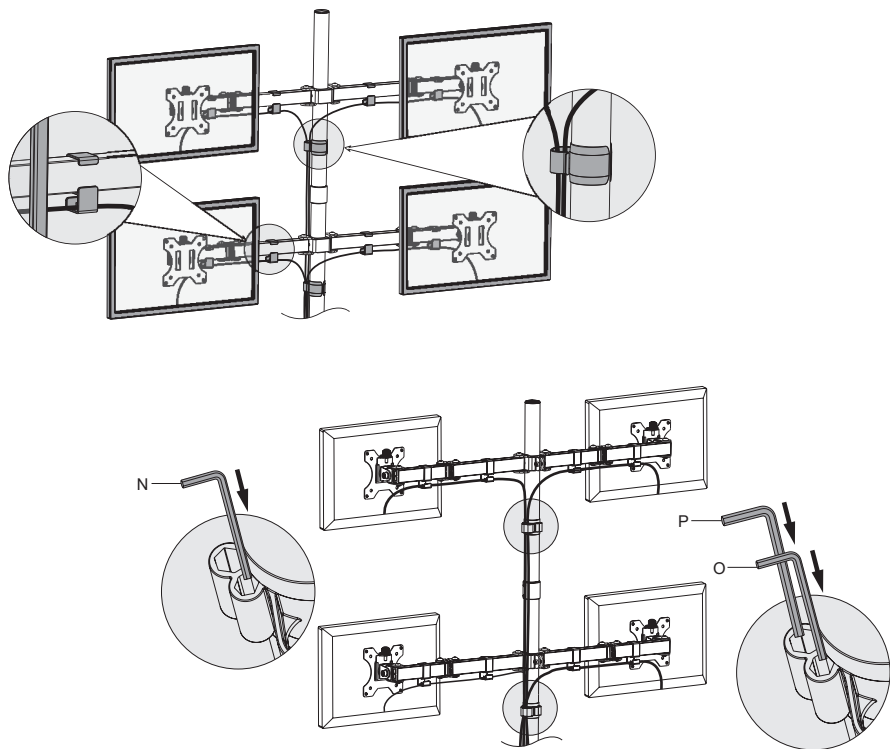
## STEP 7

Use VESA caps (I) and small screws (J) to secure monitors as shown in diagram. Tighten with 6mm allen wrench (P) as shown in diagram.



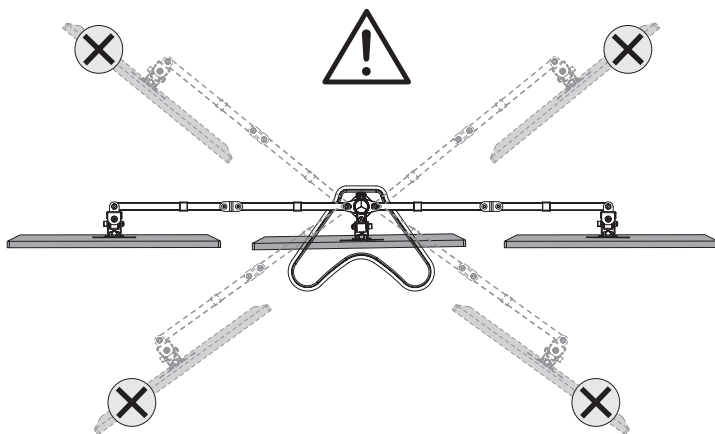
## STEP 8

Use cable management clips (G) to manage cables. Use cable management clips (G) to store allen wrenches.

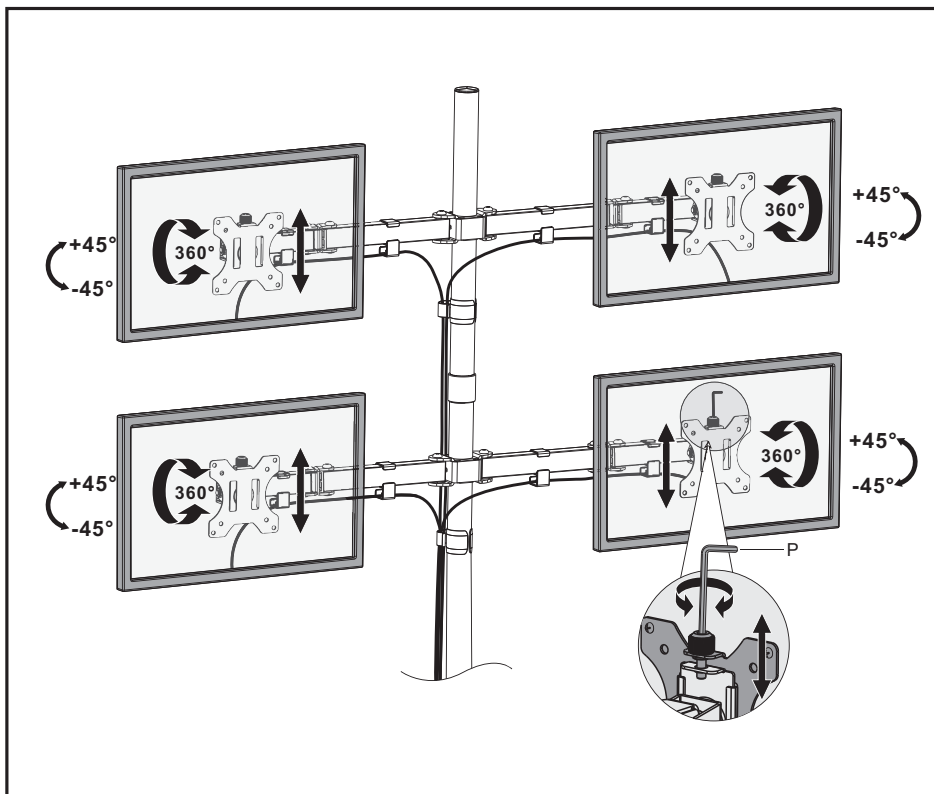


## STEP 9

Be careful not to extend the arms too far forward or backward.



Adjust as Desired





Love your new VIVO setup and want to share?

Tag us in your photo! @vivo\_us

Last Updated: 07/10/2019



If any parts are received damaged or defective, please contact us. We are happy to replace parts to ensure you have a fully functioning product.



[help@vivo-us.com](mailto:help@vivo-us.com)



[www.vivo-us.com](http://www.vivo-us.com)



1-800-371-5654

For more VIVO products, check out our website at:

[www.vivo-us.com](http://www.vivo-us.com).