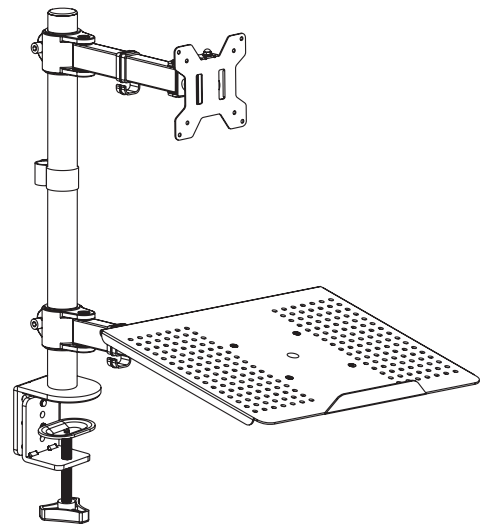




---

## Extra Tall Single Monitor + Laptop Mount

### Instruction Manual



**SKU: STAND-V012C**



Scan the QR code with your mobile device or follow the link for helpful videos and specifications related to this product.

<https://vivo-us.com/products/stand-v012c>



help@vivo-us.com



www.vivo-us.com



1-800-371-5654

**! WARNING!**

If you do not understand these directions, or if you have any doubts about the safety of the installation, please call a qualified technician. Check carefully to make sure there are no missing or defective parts. Improper installation may cause damage or serious injury. Do not use this product for any purpose that is not explicitly specified in this manual. Do not exceed weight capacity. We cannot be liable for damage or injury caused by improper mounting, incorrect assembly or inappropriate use.

**! TIPOVER WARNING**

SERIOUS OR FATAL CRUSHING INJURIES CAN OCCUR FROM TIPOVER. TO HELP PREVENT TIPOVER:




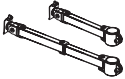











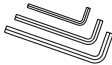







- NEVER ALLOW CHILDREN TO CLIMB, STAND, HANG, OR PLAY ON ANY PART OF MONITOR OR STAND.
- USE TIPOVER RESTRAINT OR ANCHOR STAND TO WALL

**USE OF TIPOVER RESTRAINTS MAY ONLY REDUCE, BUT NOT ELIMINATE RISK OF TIPOVER.**

**! WARNING: CHOKING HAZARD**

SMALL PARTS - NOT FOR CHILDREN UNDER 3 YEARS. ADULT SUPERVISION IS REQUIRED.

**PACKAGE CONTENTS**

 <b>a</b> (x1) Pole	 <b>b</b> (x1) Clamp	 <b>c</b> (x1) Clamp Brace	 <b>d</b> (x1) Swivel Arm	 <b>e</b> (x2) VESA Plate	 <b>f</b> (x3) M5x14
 <b>g</b> (x2) M8x12	 <b>h</b> (x2) Security Nut	 <b>i</b> (x1) M10 Bolt	 <b>j</b> (x1) Support Plate	 <b>k</b> (x1) M10 Washer	 <b>l</b> (x1) Spring Washer
 <b>m</b> (x1) Grommet Base Plate	 <b>n1</b> (x3) Cable Clip	 <b>n2</b> (x3) Cable Clip	 <b>o</b> (x1) Allen Key	 <b>p</b> (x1) Wrench	 <b>q</b> (x8) M4x12
 <b>r</b> (x8) M4x30	 <b>s</b> (x8) M4 Spacer	 <b>t</b> (x1) Laptop Tray	 <b>u</b> (x4) M4x10 Bolt	 <b>v</b> (x4) M4 Nut	

**NOTE: NOT ALL HARDWARE INCLUDED WILL BE USED**

**TOOLS NEEDED**



**DO NOT EXCEED WEIGHT CAPACITY.**

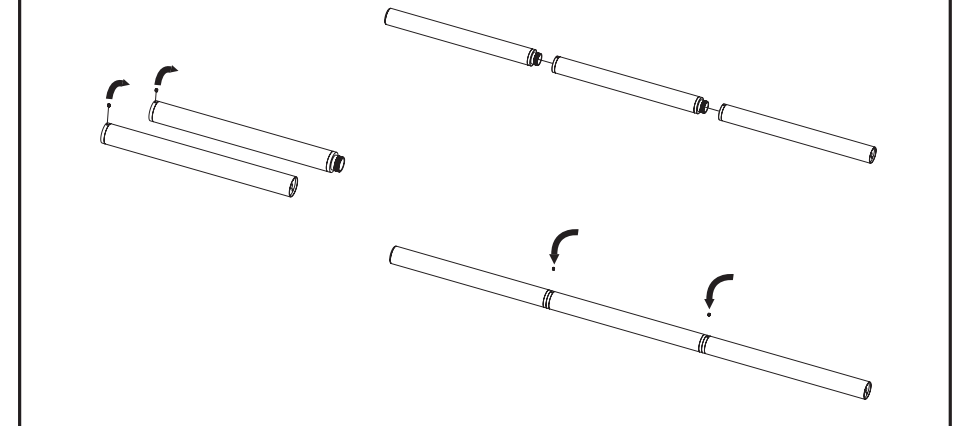
Failure to do so may result in serious injury.



**ASSEMBLY STEPS**

**PRE-ASSEMBLY**

Remove the grub screws by provided Allen Key **(o)**. Connect the poles by threads as below diagram. Install the grub screws and fasten them by provided Allen Key **(o)**.



**STEP 1**

**OPTION A: Clamp Installation**

1. Install the "C" Clamp Brace **(c)** to the Pole **(a)** using 3pcs M5x14 Bolts **(f)**, and tighten using the Allen Key **(o)**, see Figure 1.
2. Install the "C" Clamp **(b)** to the pole assembly according to the thickness of the desktop. The thickness can be changed to three positions. Connect it using 2pcs M8x12 Bolts **(g)**, and tighten using the Allen Key **(o)**. Tighten the "C" Clamp to the desktop using the plastic knob, see Figure 2.

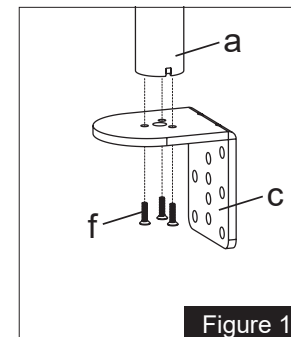


Figure 1

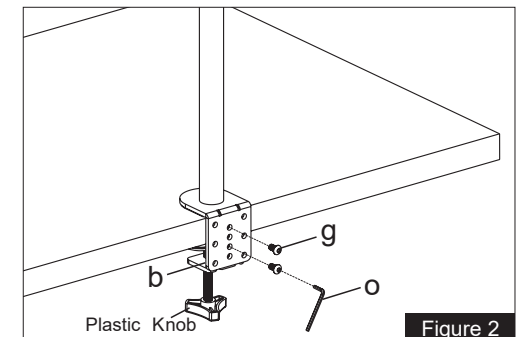


Figure 2

## STEP 1 (Continued)

### OPTION B: Existing Grommet Base Installation

If the existing grommet hole comes with a plastic protector, remove it to ensure a flat surface before installing the desk mount.

1. Install the Grommet Base Plate (**m**) to the Pole (**a**) using 3pcs M5x14 Bolts (**f**), and tighten using the Allen Key (**o**), see *Figure 4*.
2. Position the Pole (**a**) on the mounting surface and secure using the Support Plate (**j**), M10 Washer (**k**), Spring Washer (**l**) and M10 Bolt (**i**). Fasten the M10 Bolt using provided Wrench (**p**), see *Figure 4*.

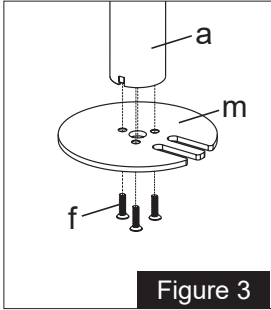


Figure 3

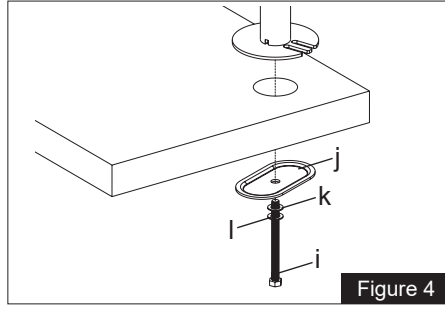


Figure 4

### OPTION C: Self-Drilled Grommet Base Installation

1. Position the Pole (**a**) on the mounting surface and mark the center hole. Drill a 3/8" (10mm) diameter hole at the marked position through the mounting surface.
2. Install the Grommet Base Plate (**m**) to the Pole (**a**) using 3pcs M5x14 Bolts (**f**), and tighten using the Allen Key (**o**), see *Figure 5*.
3. Position the Pole (**a**) on the mounting surface and secure using the Support Plate (**j**), M10 Washer (**k**), Spring Washer (**l**) and M10 Bolt (**i**). Fasten the M10 Bolt using provided Wrench (**p**), see *Figure 6*.

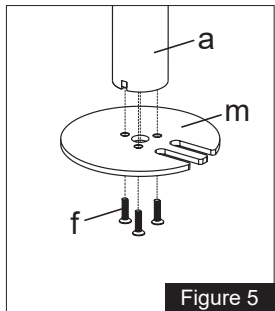


Figure 5

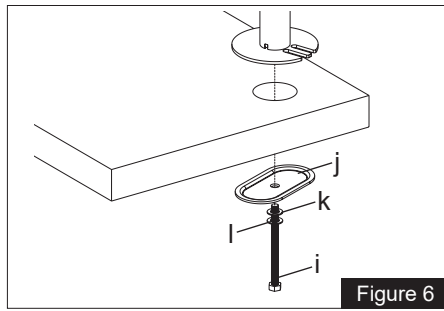
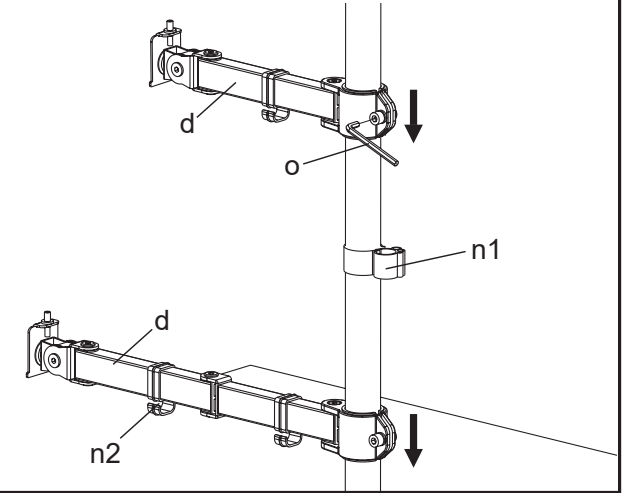


Figure 6

## STEP 2

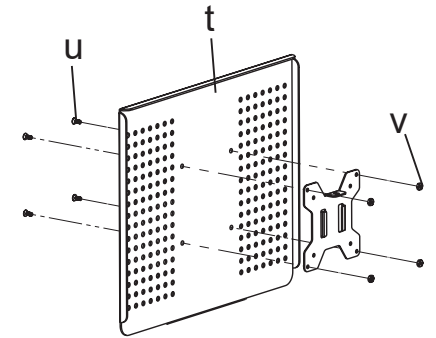
Install Swivel Arms (**d**) to the Pole (**a**). Fasten the bolt with supplied Allen Key (**o**). Attach the Wire Clip (**n1, n2**) to the pole (**a**) and Swivel Arms (**d**).



## STEP 3

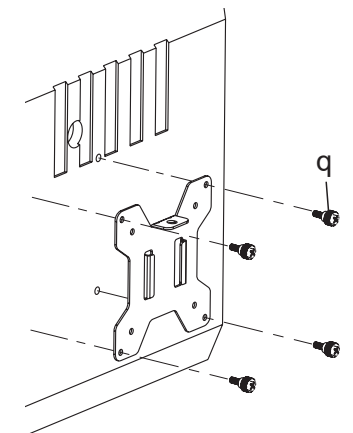
### FOR LAPTOP

Attach VESA plate (**e**) to laptop tray (**t**) using bolts (**u**) and M4 nuts (**v**).



### FOR FLAT BACK MONITOR

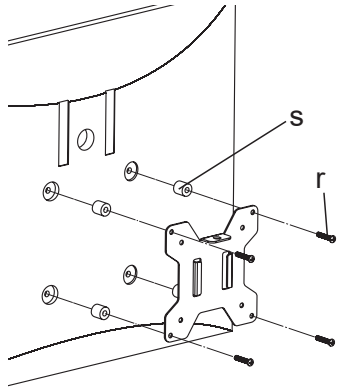
Attach VESA plate (**e**) to the monitor using thumb bolts (**q**).



### STEP 3 (continued)

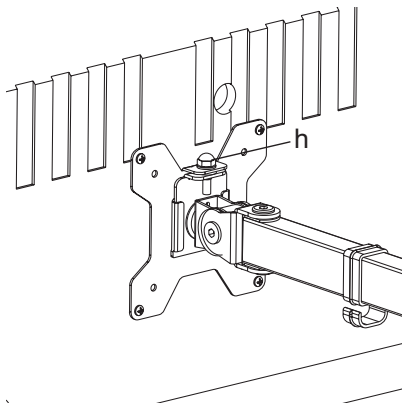
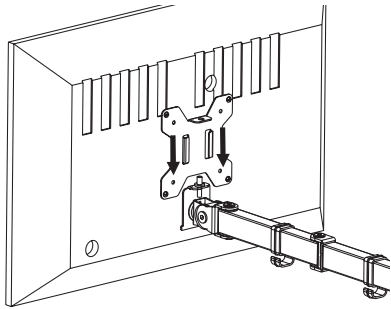
#### FOR CURVED BACK MONITOR

Attach VESA plate (e) to the monitor using bolts (r) and spacers (s).



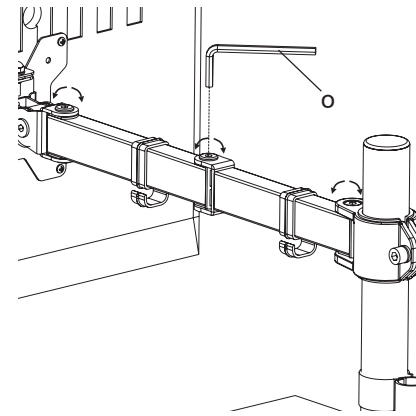
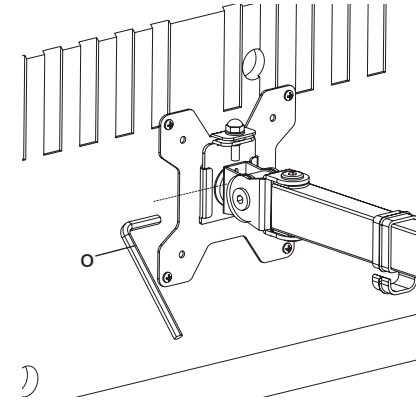
### STEP 4

Slide the monitor onto the head of Swivel Arm (d) as shown in the diagram. Install the security Nut (h). Make sure the security nut is installed before you rotate the monitor.

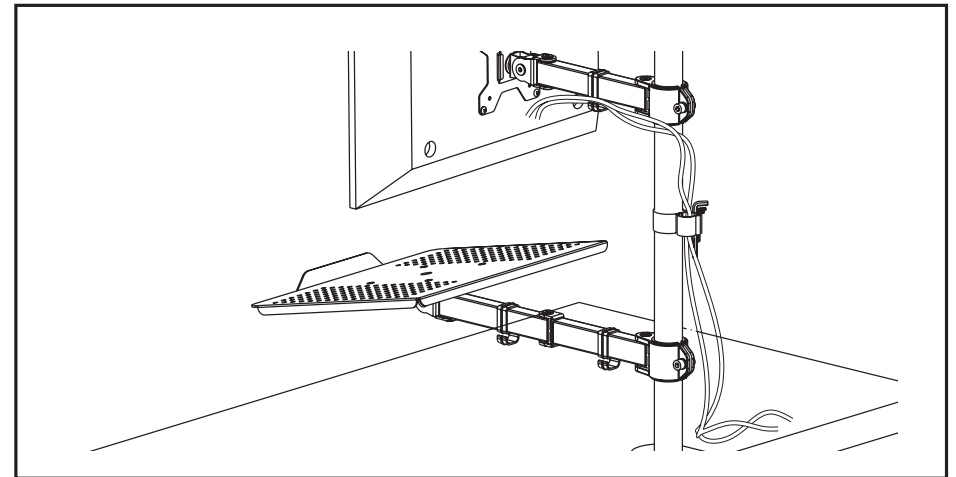


### STEP 5

Tighten the bolt with the supplied Allen Key (o) to fix the tilt angle. Use the supplied Allen Key (o) to make the necessary adjustments



Adjust as Desired





Love your new VIVO setup and want to share?

Tag us in your photo! **@vivo\_us**

Last Updated: 11/28/2018



If any parts are received damaged or defective, please contact us. We are happy to replace parts to ensure you have a fully functioning product.



[help@vivo-us.com](mailto:help@vivo-us.com)



[www.vivo-us.com](http://www.vivo-us.com)



1-800-371-5654

For more VIVO products, check out our website at:  
[www.vivo-us.com](http://www.vivo-us.com).