

Dual Monitor Extra Tall Desk Mount

Instruction Manual



Model: STAND-V012

Email: help@vivo-us.com
Live chat: www.vivo-us.com
Call: 1-800-371-5654

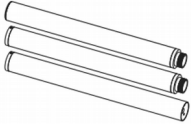
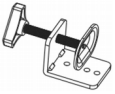

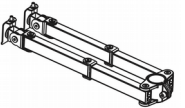










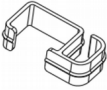









Scan the QR code with your mobile device or follow the link to helpful videos and specifications related to this product.

<https://vivo-us.com/products/stand-v012>

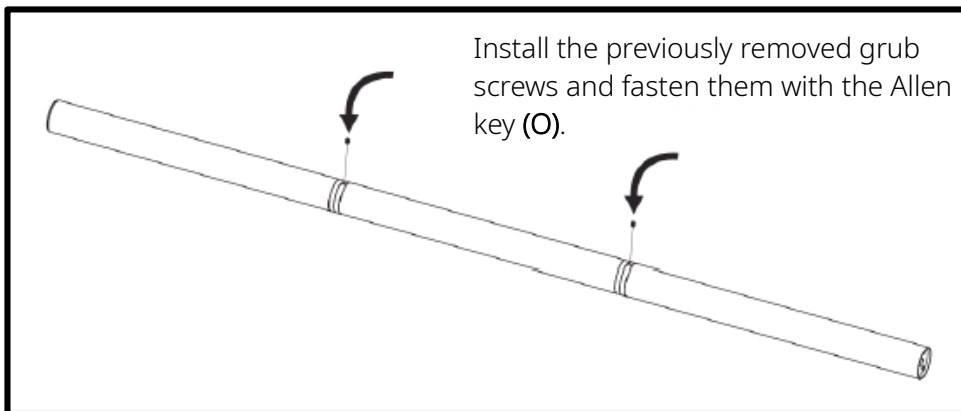
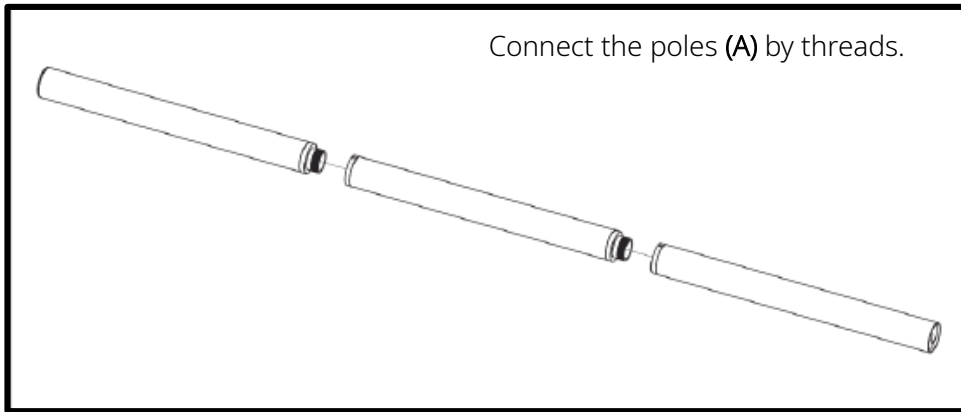
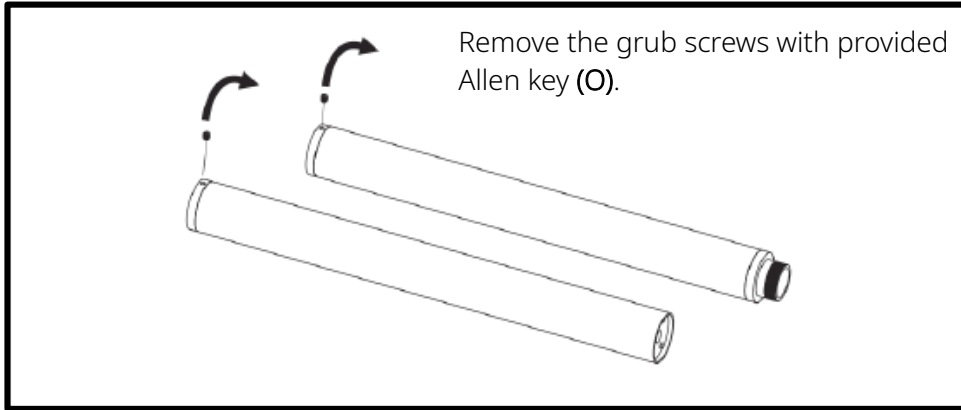
Tools Required:
phillips screwdriver

Package Contents

			
A (x1) Pole Set	B (x1) Clamp	C (x1) Clamp Brace	D (x1) Swivel Arm
			
E (x2) VESA Plate	F (x3) M5x14 Bolt	G (x2) M8x12 Bolt	H (x2) Nut
			
I (x1) M10 Bolt	J (x1) Support Plate	K (x1) M10 Washer	L (x1) Spring Washer
			
M (x1) Grommet Base Plate	N-1 (x3) Wire Clip	N-2 (x4) Wire Clip	O (x1) Allen Key
			
P (x1) Wrench	Q (x8) M4x12 Thumb Bolt	R (x8) M4x30 Bolt	S (x8) M4 Spacer
			
T-1 (x1) Soft Pad	T-2 (x1) Soft Pad		

Assembly Steps

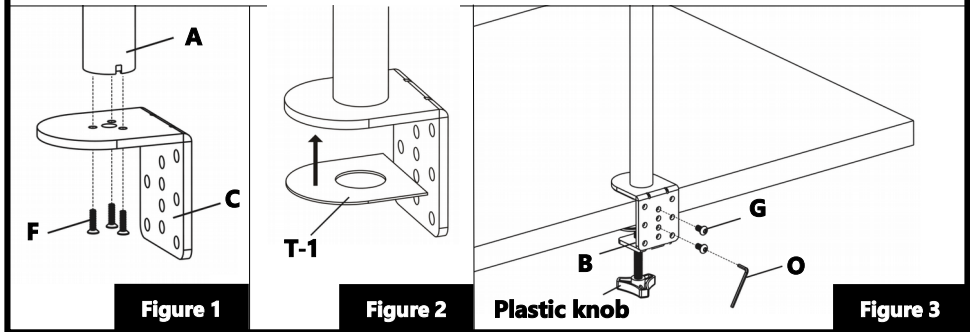
Assemble the Pole Set



Step 1: Install the Pole to the Desktop

Option A: Desk Clamp Install

1. Install the clamp brace (C) to the pole (A) using 3 M5x14 bolts (F), see Figure 1.
2. Attach soft pad (T-1) to the clamp brace (C), see Figure 2.
3. Install the clamp (B) to the pole assembly according to the thickness of the desktop. The thickness can be changed to three positions. Connect it using 2 bolts (G), and tighten using the Allen key (O). Tighten the clamp to the desktop using the plastic knob, see Figure 3.

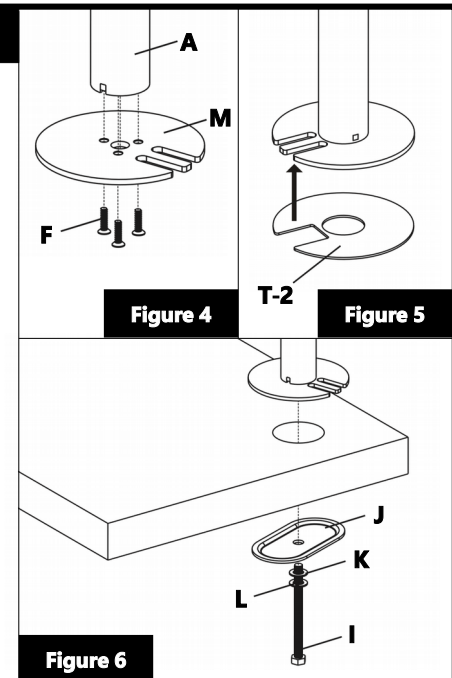


Option B: Grommet Base Install

Existing Grommet Hole Installation

If the existing grommet hole comes with a plastic protector, remove it to ensure a flat surface before installing the desk mount.

1. Install the grommet base plate (M) to the pole (A) using 3 bolts (F), see Figure 4.
2. Attach soft pad (T-2) to the grommet base plate (M), see Figure 5.
3. Position the pole (A) on the mounting surface and secure using the support plate (J), M10 washer (K), spring washer (L) and M10 bolt (I). Fasten the M10 bolt using provided wrench (P), see Figure 6.

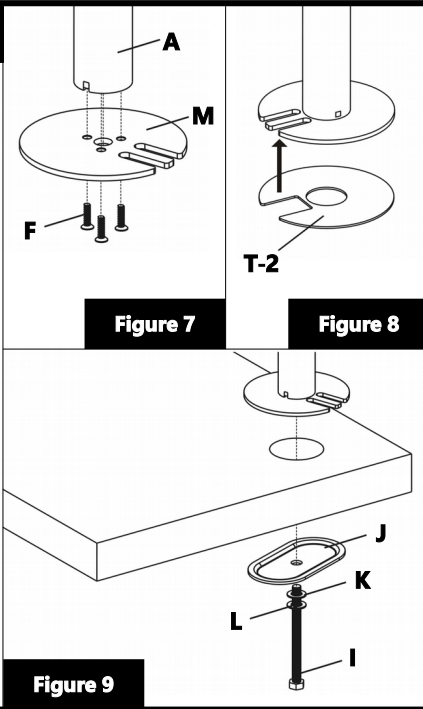


Step 1 (Continued)

Option C: Grommet Base Install

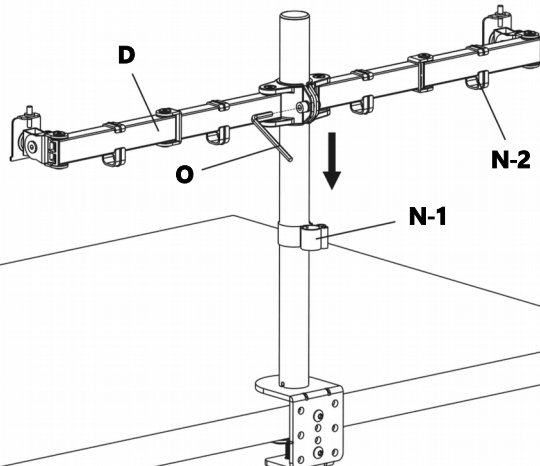
Self Drilled Grommet Hole Installation

1. Position the pole (A) on the mounting surface and mark the center hole. Drill a 3/8" (10mm) diameter hole at the marked position through the mounting surface.
2. Install the grommet base plate (M) to the pole (A) using 3 M5x14 bolts (F), see Figure 7.
3. Attach soft pad (T-2) to the grommet base plate (M), see Figure 8.
4. Position the pole (A) on the mounting surface and secure using the support plate (J), M10 washer (K), spring washer (L) and M10 bolt (I). Fasten the M10 bolt using provided wrench (P), see Figure 9.

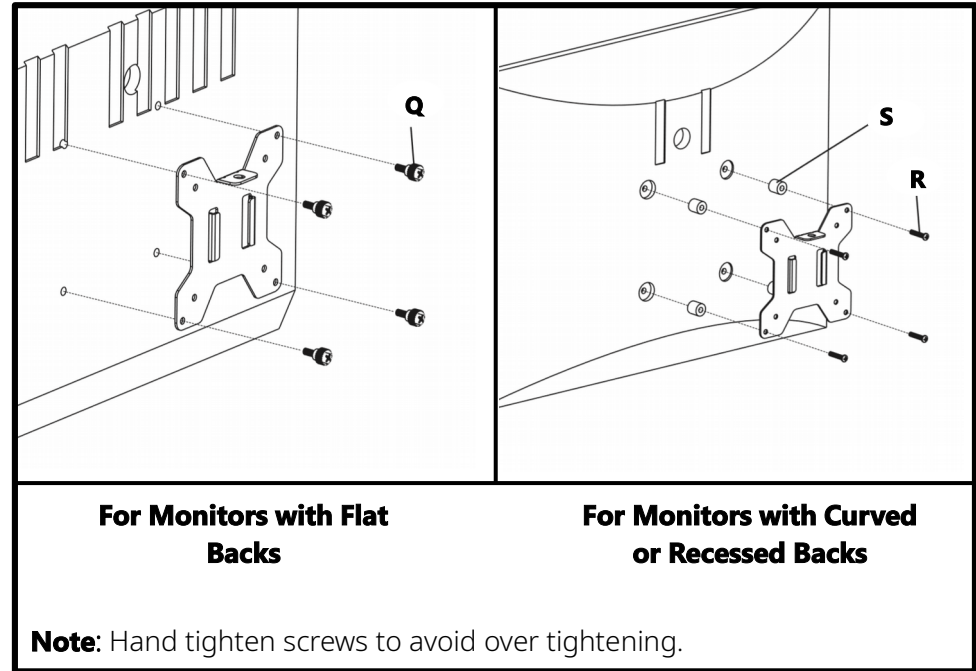


Step 2: Install Arm to the Pole

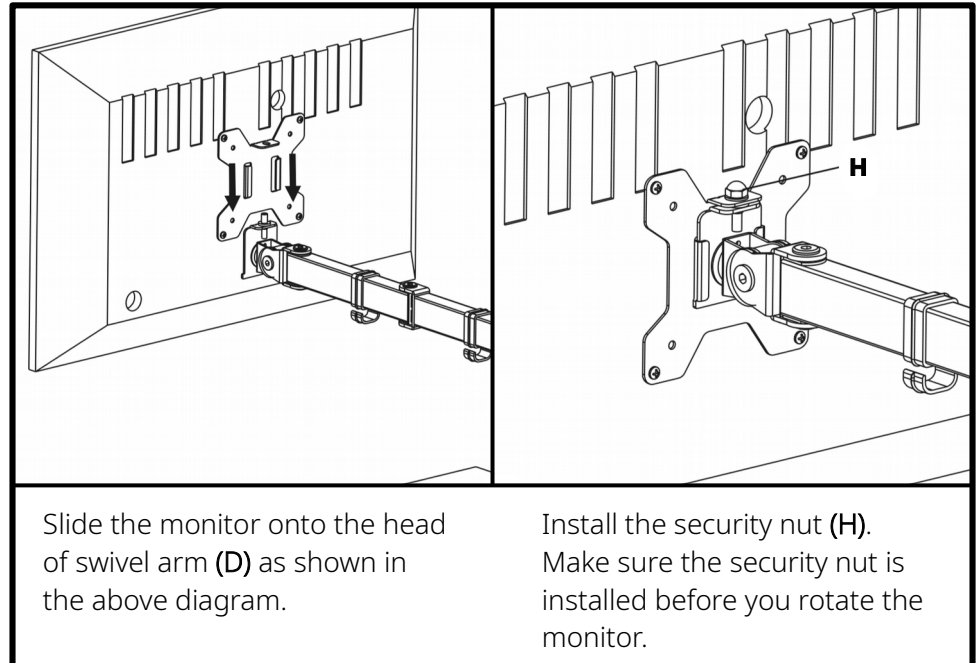
Install swivel arm (D) to the pole (A). Fasten the bolt with supplied Allen key (O). Attach the wire clip (N-1, N-2) to the pole (A) and swivel arm (D).



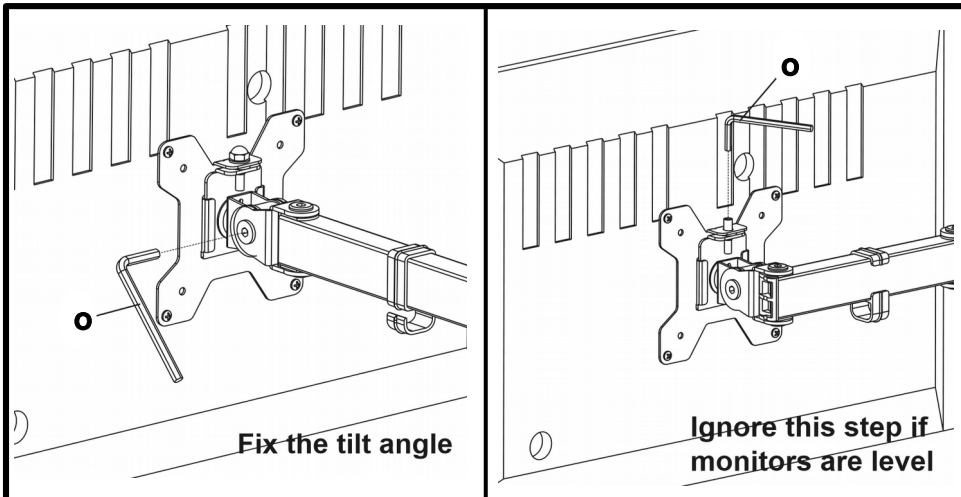
Step 3: Attach the VESA Plates to the Monitors



Step 4: Slide Monitors onto Swivel Arms



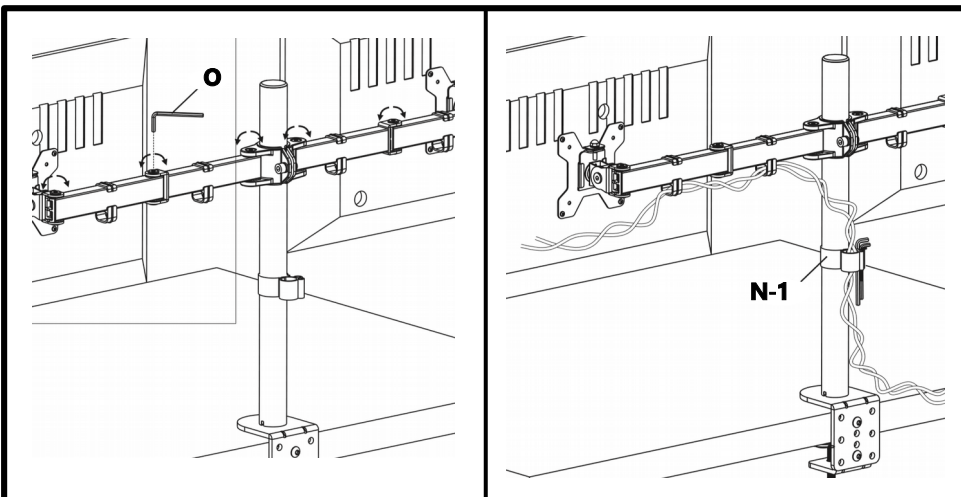
Step 5: Fix the Tilt Angle and Level Monitors



Tighten the bolt with the supplied Allen key (O) to fix the tilt angle.

Remove the nut (H) and turn the bolt to raise or lower the monitor using the Allen key (O). Replace nut (H) after adjustment.

Step 6: Make Final Adjustments and Manage Cables



Use the supplied Allen key (O) to make any necessary adjustments.

Manage cables and store the Allen keys (O) in wire clip (N-1) for future use.



Safety Warning

If you do not understand these directions, or if you have any doubts about the safety of the installation, please call a qualified technician. Check carefully to make sure there are no missing or defective parts. Improper installation may cause damage or serious injury. Do not use this product for any purpose that is not explicitly specified in this manual. We cannot be liable for damage or injury caused by incorrect assembly or inappropriate use.

Contact us at

Email: help@vivo-us.com

Live chat: www.vivo-us.com

Call: 1-800-371-5654

If any parts are received damaged or defective, please contact us. We are happy to replace parts to ensure you have a fully functional product.

For more VIVO products, check out our website at www.vivo-us.com.

Last updated: 4/24/2018